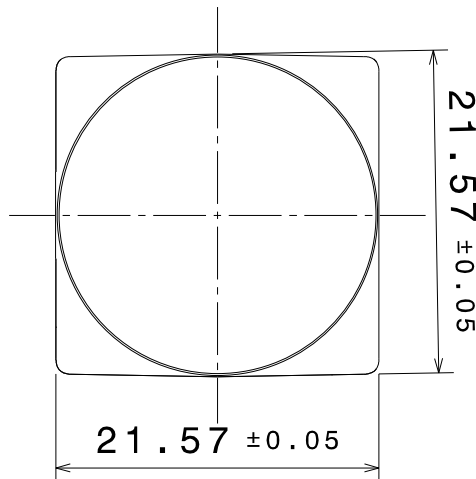
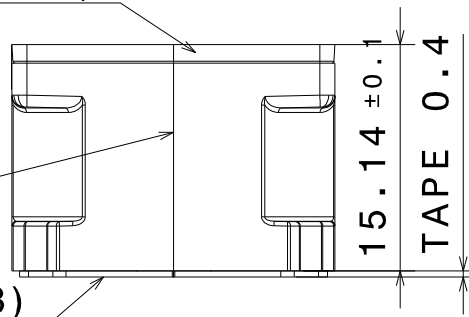


Isometric view
Scale: 1:1

Lens Rose-C-C-W-V4 (DWG no. 10341)

Holder C (DWG no. 10289)

Adhesive Tape (DWG no. 10278)



MATERIALS
LENS: PC
HOLDER: PC
TAPE: Scapa 5669

This drawing is our property.
It can't be reproduced
or communicated without
our written agreement.



Ledil Oy
Tehdaskatu 13
FIN-24100 SALO
Finland

DRAWING TITLE

Assembly K2S-W drawing

DRAWN BY
mav

DATE
22.11.2011

CHECKED BY
HH

DATE
22.11.2011

SIZE
A4

DRAWING NUMBER
FA10323

REV
1

DESIGNED BY
HH

DATE
23.11.2006

SCALE 2:1

WEIGHT (g) 4.5

SHEET 1/1

D

A