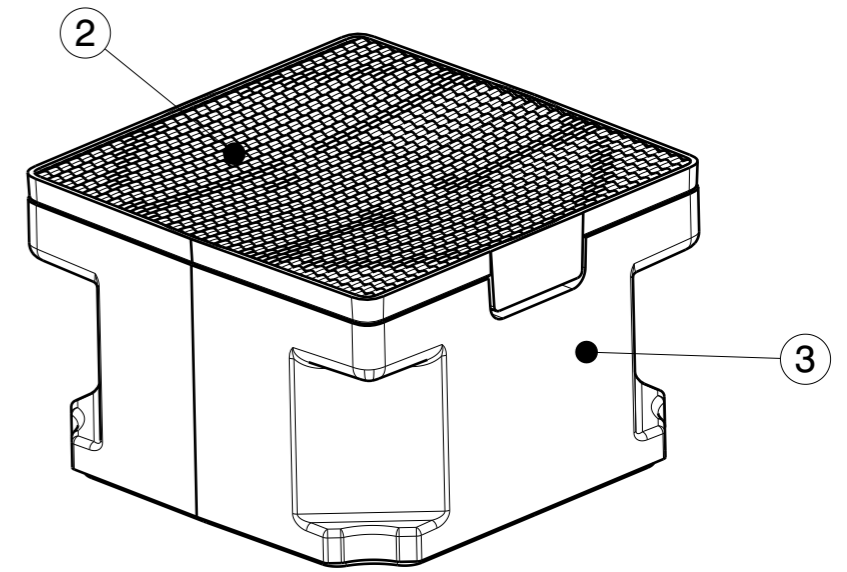
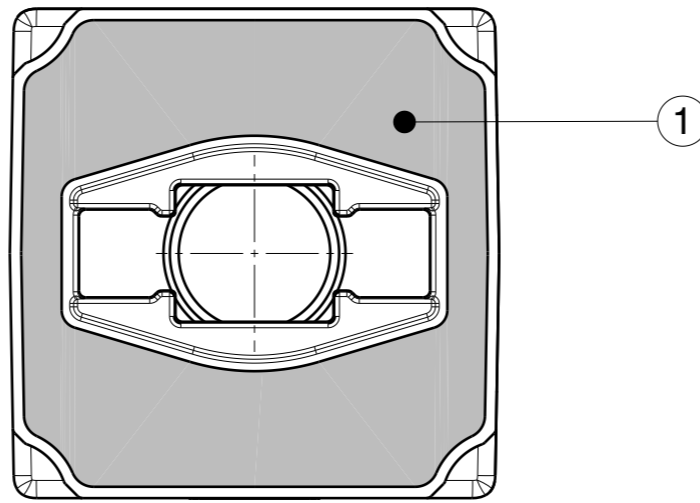
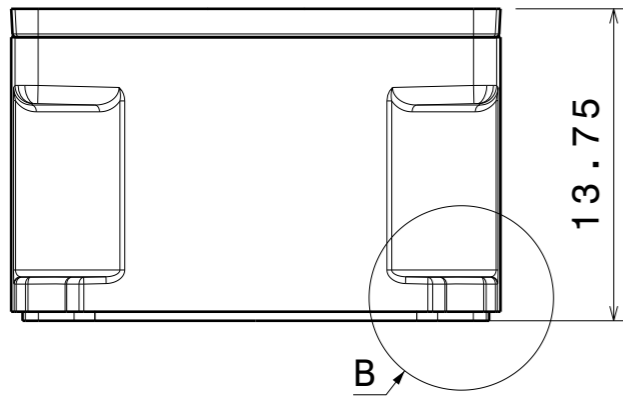
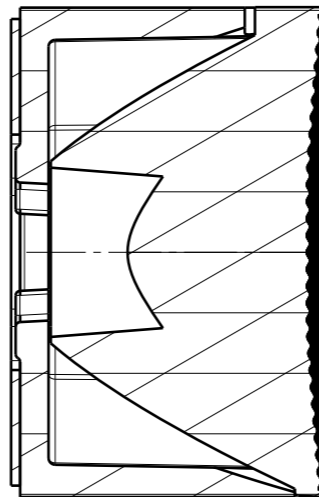
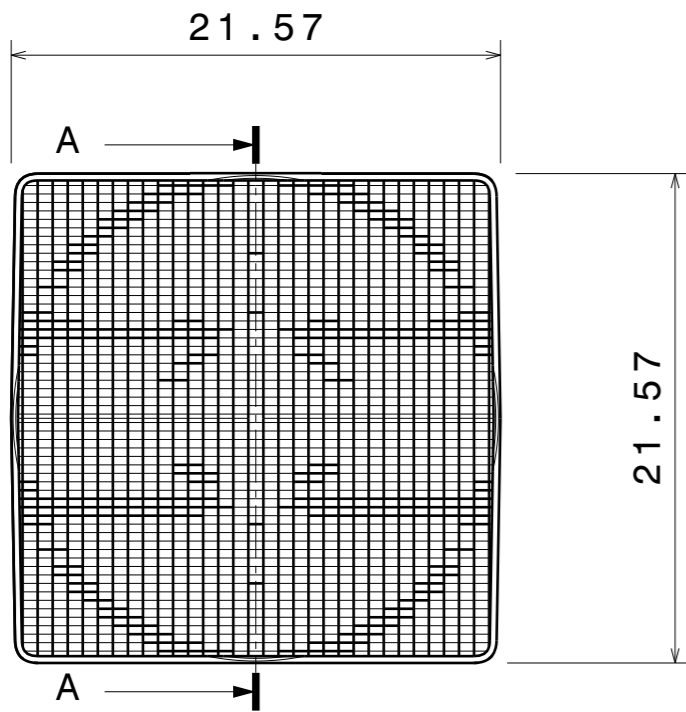


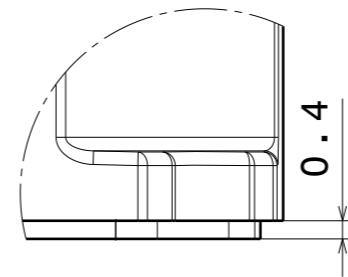
H G F E D C B A



Isometric view



Section view A-A  
Scale: 3:1



Detail B  
Scale: 6:1

INDEX	PART NO	DESCRIPTION	MATERIAL	COLOUR
1	3F10278	TAPE-ROSE	PU 2-sided foam tape	adhesive
2	F14702	ROSE-A-A-0-90	PC Lexan 123R	clear
3	F10287	ROSE-HLD-A	PC Lexan 123R	white

**LEGEND**

1	Inspectional dimensions marked with:
2	See CAD file for detailed geometry information. Surface finishing markings are only shown in drawing level.
Surface finish:	-
Finish specifications:	-

Tolerances if not otherwise shown  
According to DIN ISO 2768-1  
Linear measures:  
Up to 30mm class F, otherwise class M.  
According to DIN ISO 2768-2  
Form and position: class K  
Control for SPC marked dimensions.

**LEDiL** LediL Oy  
Salorankatu 10  
FIN 24240 SALO  
Finland

THIRD ANGLE PROJECTION:

DRAWING TITLE  
**FA11145\_OSS-0-90**

DRAWN BY  
**lauri.stenberg**  
DATE  
19.11.2015

CHECKED BY  
DATE

SIZE  
**A3**

PART NUMBER  
**FA11145**

REV  
**1**

**LEDiL PROPRIETARY** This drawing is the property of LEDiL Oy. It may not be reproduced, copied or communicated without a written agreement with LEDiL Oy.

DESIGNED BY  
**pasi.vallevuori**  
DATE  
-

SCALE 3:1 WEIGHT 3,92 g SHEET 1/1

H G B A