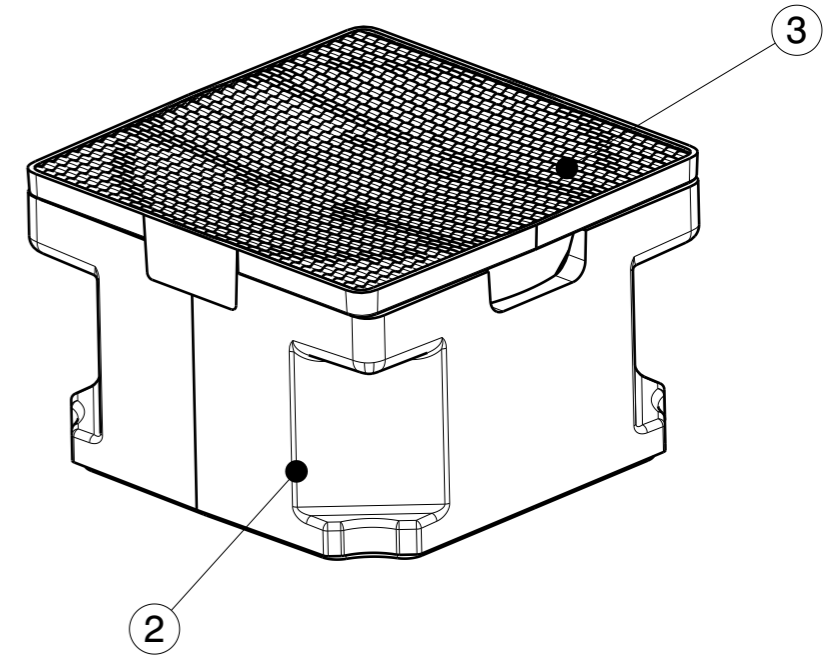
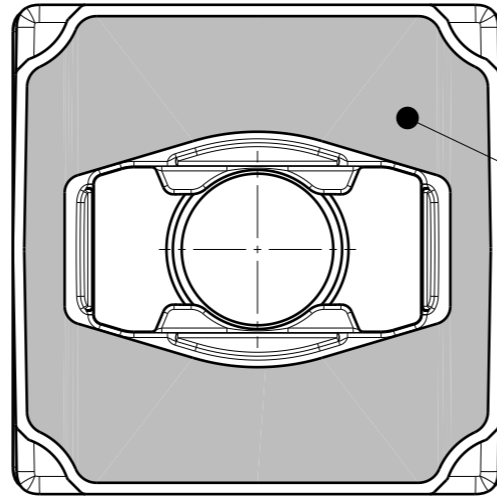
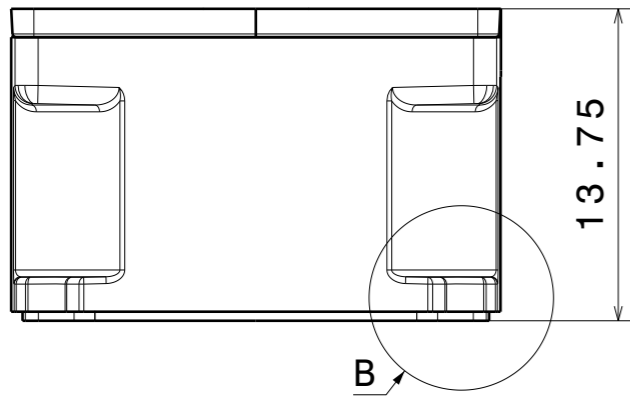
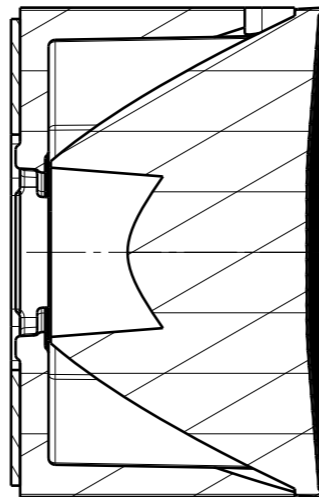
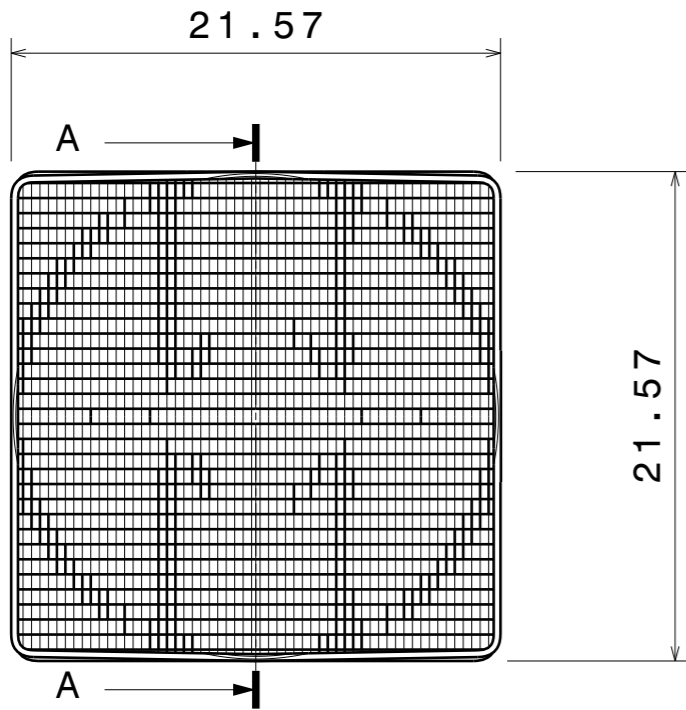


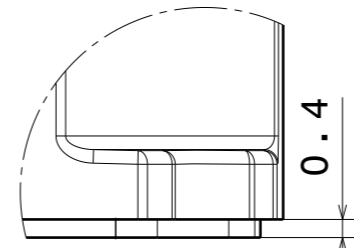
H G F E D C B A



Isometric view



Section view A-A
Scale: 3:1



Detail B
Scale: 6:1

INDEX	PART NO	DESCRIPTION	MATERIAL	COLOUR
1	F14629	ROSE-TAPE	PU 2-sided foam tape	adhesive
2	C10499	ROSE HLD-CRS-WHT	PC-Makrolon 2407	white
3	F10282	ROSE-A-A-0	PC Lexan 123R	clear

LEGEND

1	Inspectional dimensions marked with:
2	See CAD file for detailed geometry information. Surface finishing markings are only shown in drawing level.
Surface finish:	-
Finish specifications:	-

Tolerances if not otherwise shown
According to DIN ISO 2768-1
Linear measures:
Up to 30mm class F, otherwise class M.
According to DIN ISO 2768-2
Form and position: class K
Control for SPC marked dimensions.

LEDiL LediL Oy
Salorankatu 10
FIN 24240 SALO
Finland

THIRD ANGLE PROJECTION:

DRAWING TITLE
FA11147_CRS-0-90

DRAWN BY
lauri.stenberg
DATE
22.10.2014
CHECKED BY
DATE
DESIGNED BY
pasi.vallevuori
DATE

SIZE	PART NUMBER	REV
A3	FA11147	2

LEDiL PROPRIETARY This drawing is the property of LEDiL Oy. It may not be reproduced, copied or communicated without a written agreement with LEDiL Oy.

SCALE	3:1	WEIGHT	4,62 g	SHEET	1/1
-------	-----	--------	--------	-------	-----

H G B A