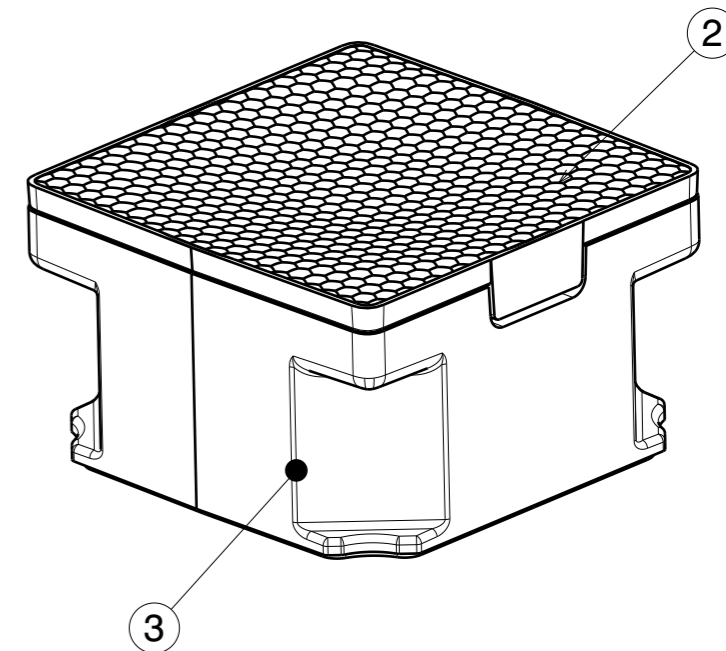
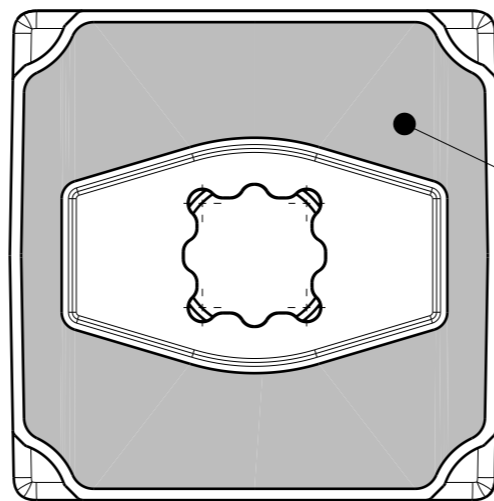
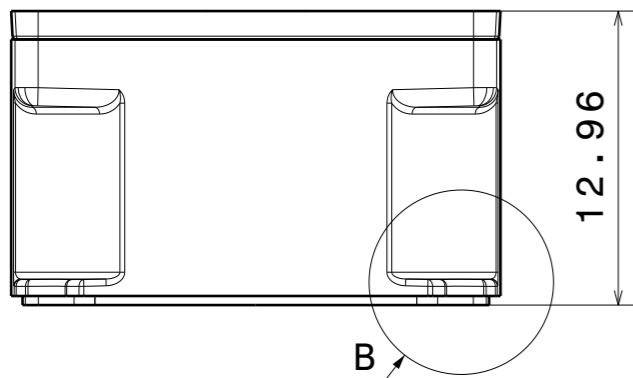
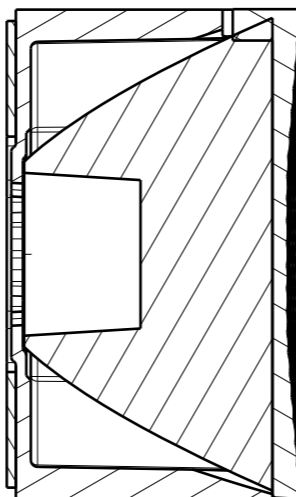
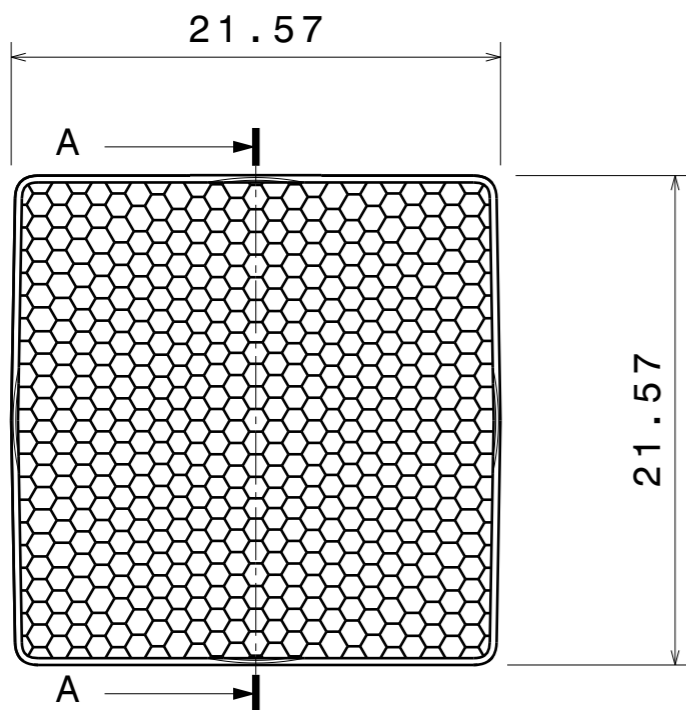


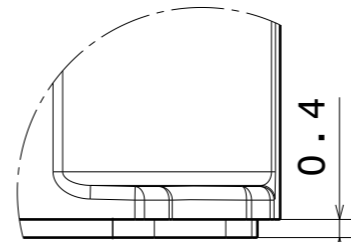
H G F E D C B A



Isometric view



Section view A-A
Scale: 3:1



Detail B
Scale: 6:1

INDEX	PART NO	DESCRIPTION	MATERIAL	COLOUR
1	F14629	ROSE-TAPE	PU 2-sided foam tape	adhesive
2	F10673	ROSE-CMC-SS	PC Lexan 123R	
3	F11906	ROSE-HLD-CXM-WHT	PC Lexan 123R	white

LEGEND

1	Inspectional dimensions marked with:
2	See CAD file for detailed geometry information. Surface finishing markings are only shown in drawing level.
Surface finish:	-
Finish specifications:	-

Tolerances if not otherwise shown
According to DIN ISO 2768-1
Linear measures:
Up to 30mm class F, otherwise class M.
According to DIN ISO 2768-2
Form and position: class K
Control for SPC marked dimensions.

LEDiL LediL Oy
Salorankatu 10
FIN 24240 SALO
Finland

THIRD ANGLE PROJECTION:

DRAWING TITLE
FA11908_CXM-SS

DRAWN BY
lauri.stenberg
DATE
22.10.2014

CHECKED BY
DATE

SIZE
A3

PART NUMBER
FA11908

REV
0

LEDiL PROPRIETARY This drawing is the property of LEDiL Oy. It may not be reproduced, copied or communicated without a written agreement with LEDiL Oy.

DESIGNED BY
pasi.vallevuori
DATE
-

SCALE 3:1 WEIGHT 4,6 g SHEET 1/1

H G B A