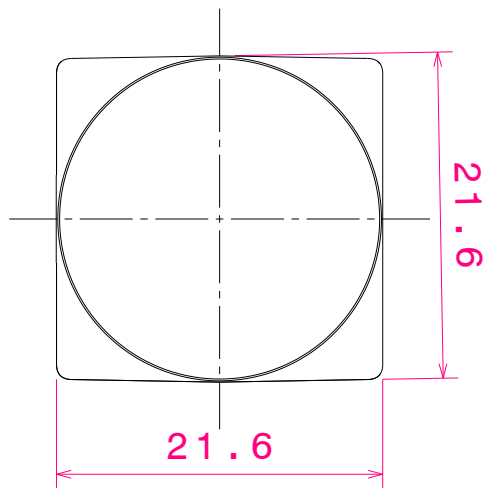
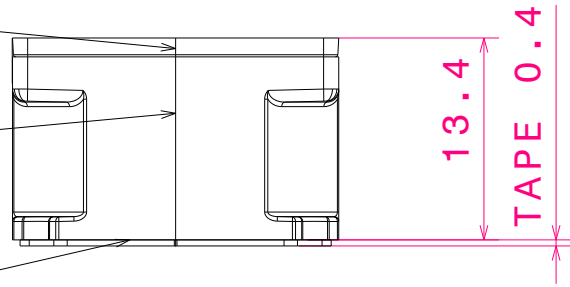


Isometric view
Scale: 1:1

Lens ROSE

Holder

Adhesive Tape



MATERIALS

LENS: PC

HOLDER: PC

Tape: PU foam with PSA adhesive

This drawing is our property.
It can't be reproduced
or communicated without
our written agreement.



L
T
F
F

e
e
i
i
N
n

d

DRAWING TITLE

Datasheet CRS assy

DRAWN BY

p

DATE

05.11.2008

CHECKED BY

H

DATE

10.10.2006

DESIGNED BY

HH

DATE

10.10.2006

SIZE

A4

DRAWING NUMBER

SCALE

2:1

WEIGHT (g)

-

REV

1

SHEET

1/1

D

A

4

4

3

3

2

2

1

1