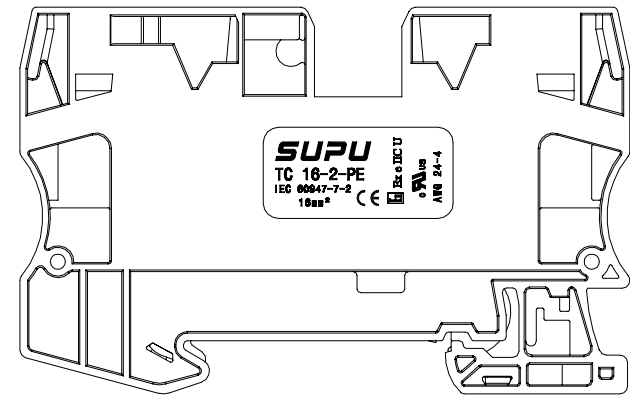
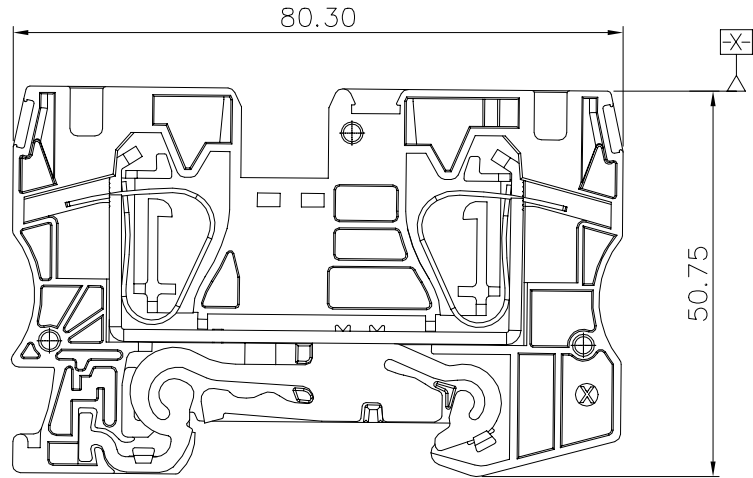
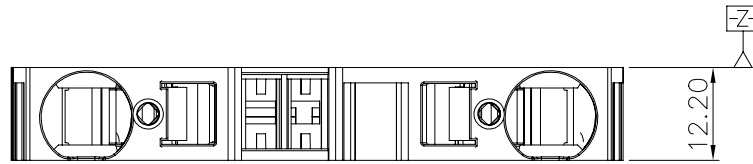


Transmittal, reproduction, dissemination and/or editing of this document as well as utilization of its contents and communication thereof to others without express authorization are prohibited.  
未经允许禁止传输、复制、编辑该文档，以及利用其内容进行交流

REVISION RECORD				
REV	ECN	DESCRIPTION	DRFT	DATE
△	DCN0006226	图纸更新	董方正	2020/1/07



Connection method:

1. For Solid wire, peeling wire in right length, push down spring to clap the wire.
2. For stranded wire, connect directly after peeling in right length, or wire ferruled and fix in by pushing the spring.

NOTES:

UL/CUL Standard

1. Conductor cross section : 24~4AWG
2. Rated Voltage/Current :

Use group	B	C	D
Rated voltage(V)	600	600	

Material:

Insulator	PA66	UL94 V-0
Conductor	Copper alloy	Sn plated
Spring	Stainless steel	
Ground Pin	Copper alloy	Sn plated

General information:

1. Dimension shall be interpreted per ASME Y14.5-2009
2. Stripping length : 18mm
3. Operating temperature: -40°C~+105°C
4. RoHS Compliance
5. Undimensioned Tolerances:

Pitch Range In mm		Nominal Dimension Range In mm						—	∠
Over 6 TO 10	Over 10 TO 24	Over 30 TO 60	Over 60 TO 100	Over 100 TO 150	Over 150	0.1/10			
±0.15	±0.20	±0.30	±0.30	±0.50	±0.70	±1.00	±1.30	±2'	

HOW TO ORDER:  
TC16-2-PE

Series No.

Color: PE: Yellow and Green

借通用件登记  
Common Part

原图号  
Old Draw. No.

底图总号  
Assembly No.

IEC Standard

1. Conductor cross section :

Wire range(Solid/Stranded)	0.2-16mm <sup>2</sup>
Solid	0.2-25mm <sup>2</sup>
Stranded	0.2-16mm <sup>2</sup>
Stranded with ferrules without plastic sleeve	0.25-16mm <sup>2</sup>
Stranded with ferrules with plastic sleeve	0.25-16mm <sup>2</sup>

2. Rated Voltage/Current :

Surge voltage category	III
Pollution degree	3
Rated surge voltage(KV)	8
Rated voltage(V)	1000

订货号 Order No.	TC16-2-PE		名称 Name	TC系列笼式弹簧 16mm <sup>2</sup> 一进一出 接地端子	未注公差 Tolerance	表面 Surface	
项目 Item	签字 Signature	日期 Date	图号 Drawing No.	PRM001073	Tolerances Table		VDI21
设计 Design	dfz	01/06/20	材料 Material	Notes	阶段标记 Progress	版本 Revision	重量 Weight
审核 Check	cw	01/06/20	物料号 Item No.	412105004	M	2	/
工艺 Process	-	-			第1页/共1页 1 of 1		1:1
标准化 Unify	-	-					mm
批准 Approve	lw1	01/06/20			宁波睿普电子有限公司 NINGBO SUPU ELECTRONICS CO.,LTD.		

1

2

3

4

5

6

7

8