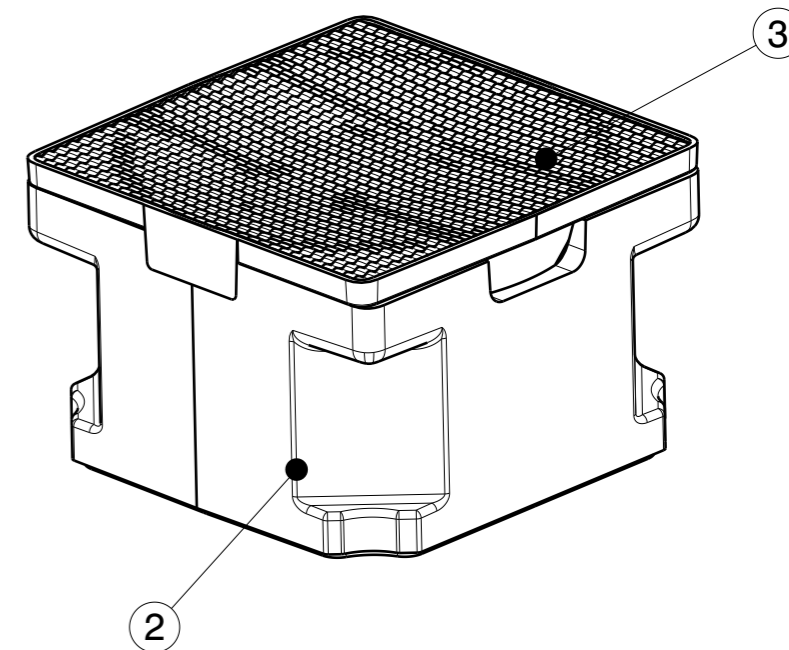
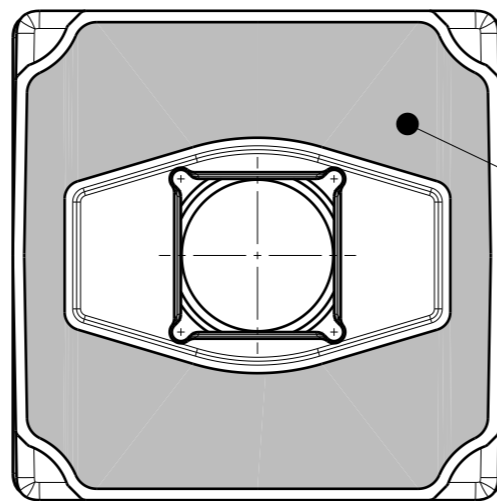
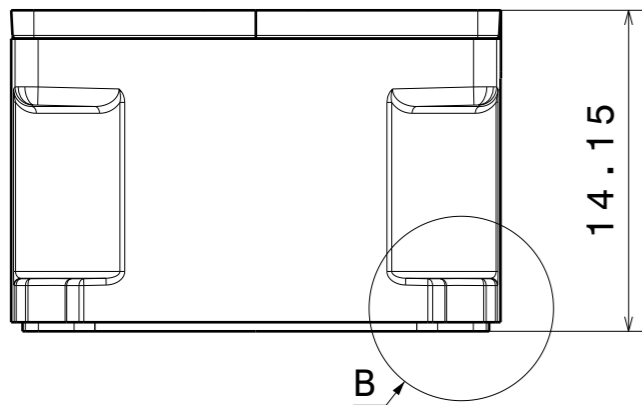
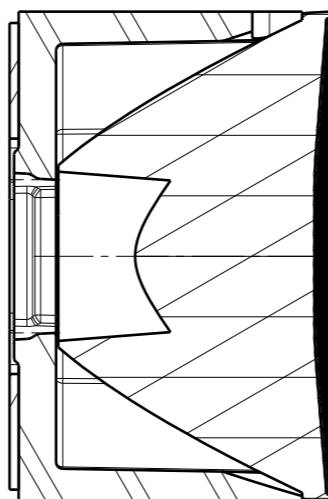
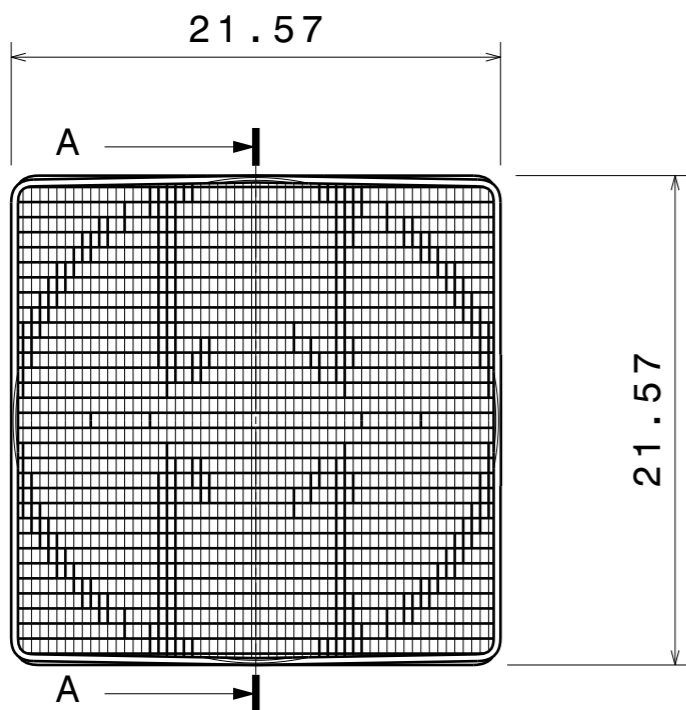


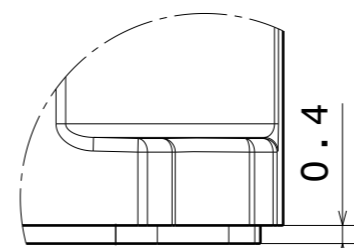
H G F E D C B A



Isometric view



Section view A-A  
Scale: 3:1



Detail B  
Scale: 6:1

INDEX	PART NO	DESCRIPTION	MATERIAL	COLOUR
1	F14629	ROSE-TAPE	PU 2-sided foam tape	adhesive
2	4F11161	NIS036-HLD-90	ABS 757	white
3	F10282	ROSE-A-A-0	PC Lexan 123R	clear

**LEGEND**

1	Inspectional dimensions marked with:
2	See CAD file for detailed geometry information. Surface finishing markings are only shown in drawing level.
Surface finish:	-
Finish specifications:	-

Tolerances if not otherwise shown  
According to DIN ISO 2768-1  
Linear measures:  
Up to 30mm class F, otherwise class M.  
According to DIN ISO 2768-2  
Form and position: class K  
Control for SPC marked dimensions.

**LEDiL** LediL Oy  
Salorankatu 10  
FIN 24240 SALO  
Finland

THIRD ANGLE PROJECTION:

DRAWING TITLE  
**FCA11160\_NIS036-0-90**

DRAWN BY <b>lauri.stenberg</b>	DATE 22.10.2014
CHECKED BY	DATE
DESIGNED BY <b>pasi.vallevuori</b>	DATE

SIZE <b>A3</b>	PART NUMBER <b>FCA11160</b>	REV <b>0</b>
-------------------	--------------------------------	-----------------

**LEDiL PROPRIETARY** This drawing is the property of LEDiL Oy. It may not be reproduced, copied or communicated without a written agreement with LEDiL Oy.

SCALE <b>3:1</b>	WEIGHT <b>4,54 g</b>	SHEET <b>1/1</b>
---------------------	-------------------------	---------------------

H G B A