

H G F E D C B A

4

3

2

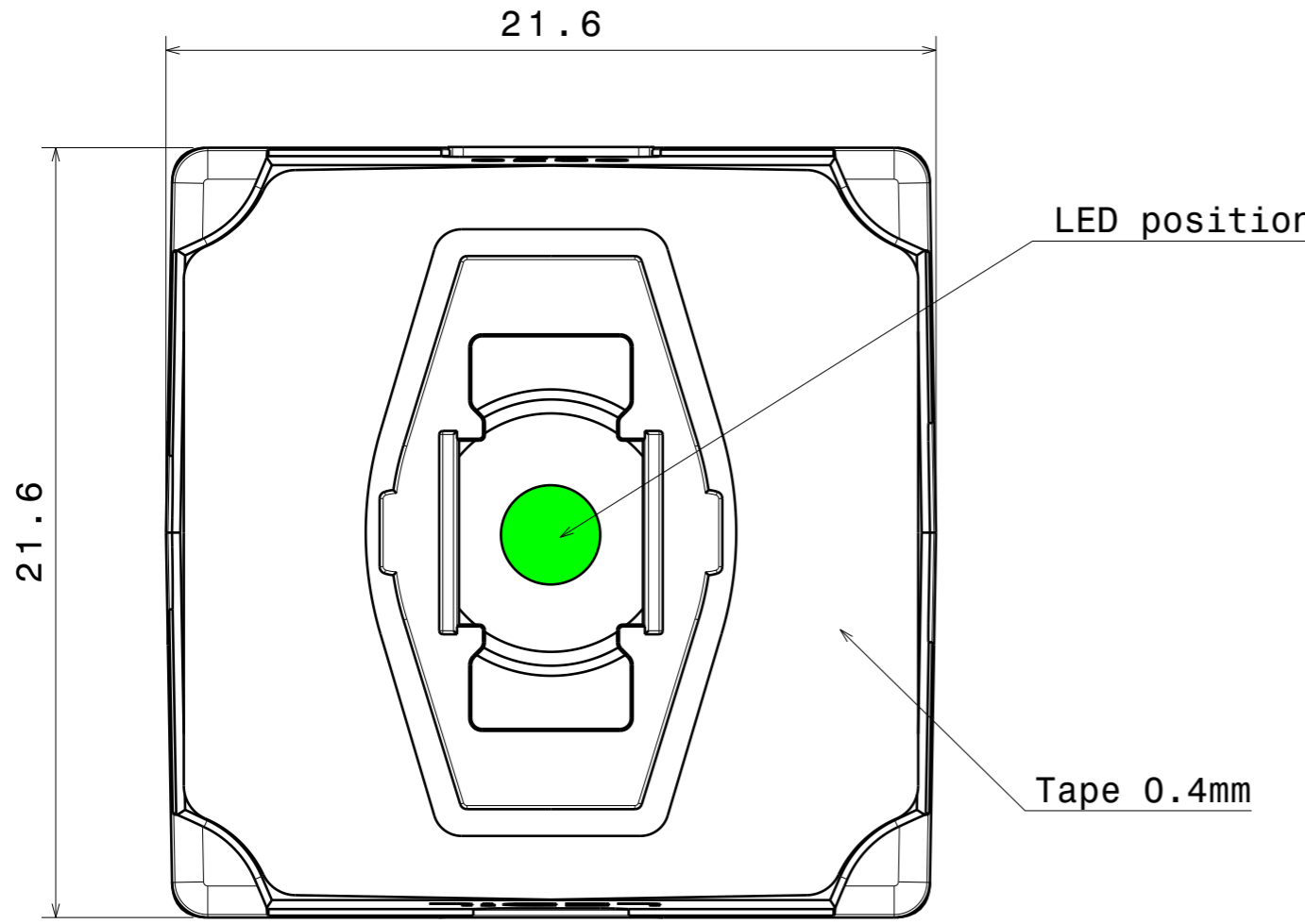
1

4

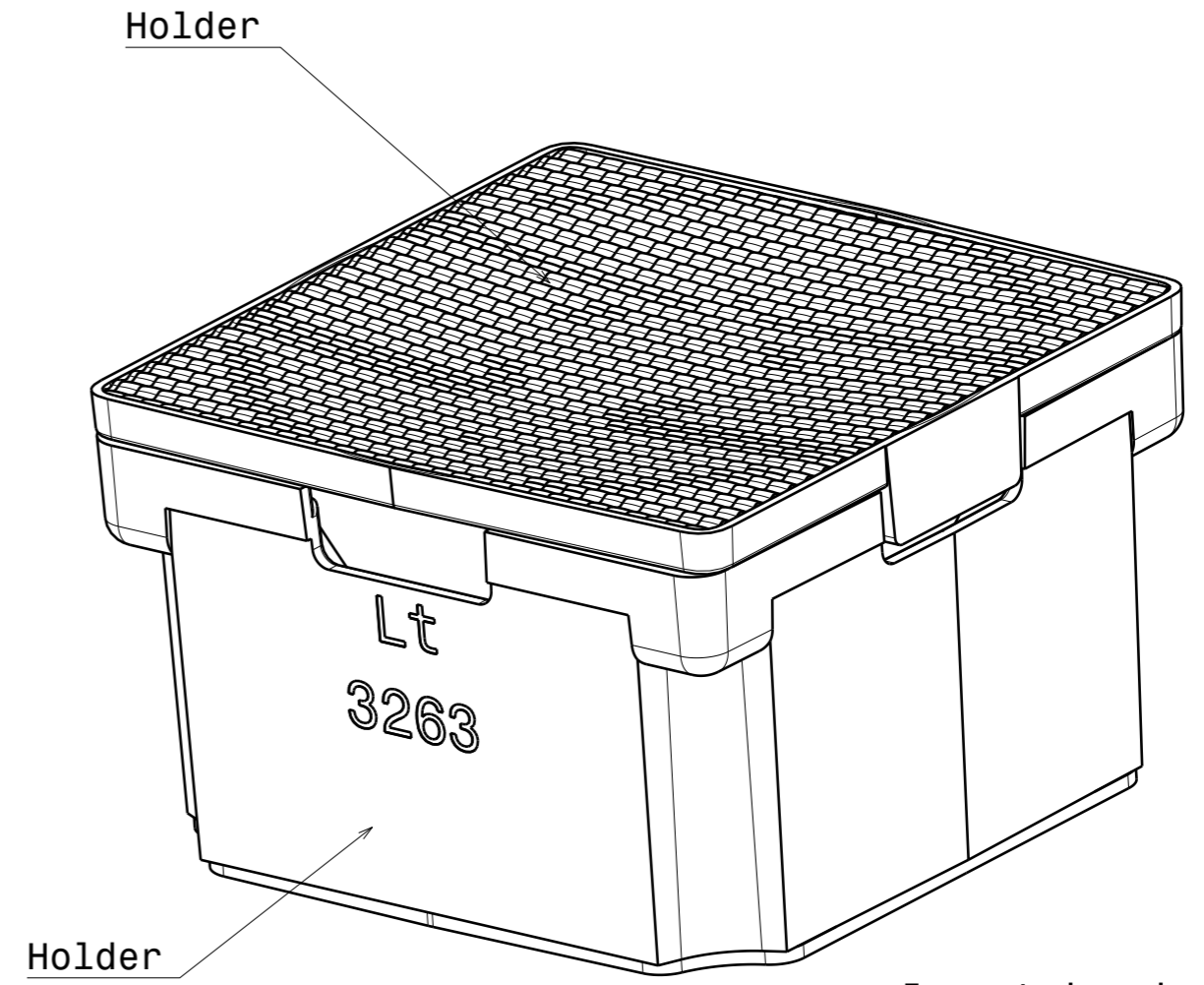
3

2

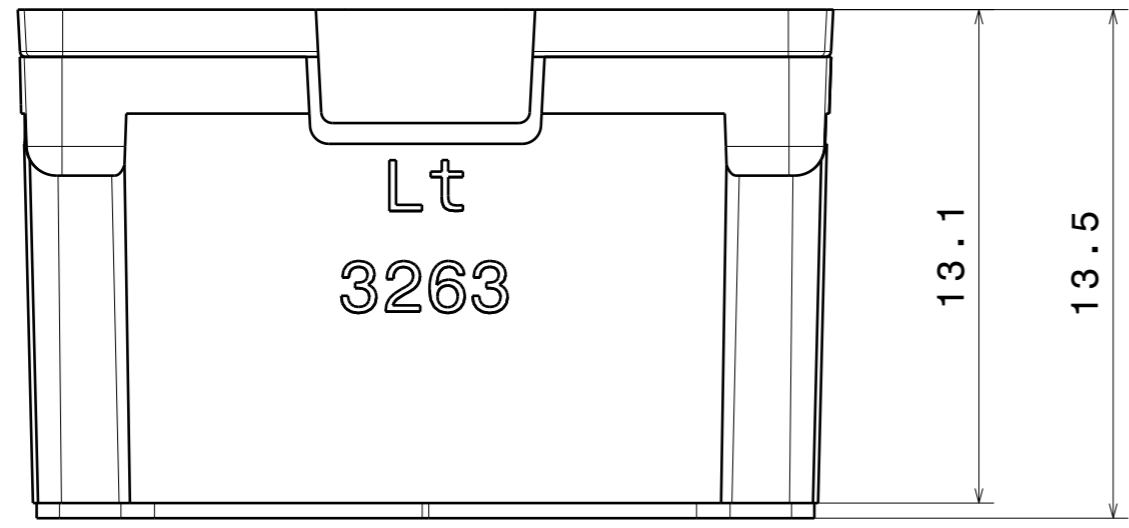
1



Bottom view



Isometric view
Scale: 5:1



Front view

COMPONENTS

FCA13625_G2-NIS83-MX-0-90_

INDEX	PART	TYPE	MATERIAL	COLOR / COATING
1	C10278_ROSE-TAPE		Tape	
2	C13263_ROSE-Lt-HLD-N83-WHT			white
3	F14702_ROSE-A-A-0-90			clear

MECHANICAL DRAWING		LEDiL®
PRODUCT	ROSE	
Plastic molding general tolerances are based on DIN 16901-130 and applies if not otherwise shown in drawing. Silicone molding general tolerances are based on ISO 3302-1 Class M3 and applies if not otherwise shown in the drawing.	FIRST ANGLE PROJECTION: 	This drawing is the property of LEDiL Oy. It may not be reproduced, copied or communicated without a written agreement with LEDiL Oy.
SCALE	5:1	WEIGHT -
		A3 SHEET 1/1

Notes

- PCB or heatsink level.
- LED location.
- Ensure LED fitting from a product specific 3D model available from www.ledil.com.

H G B A