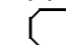
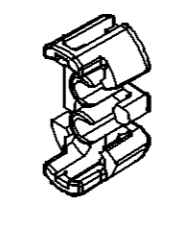
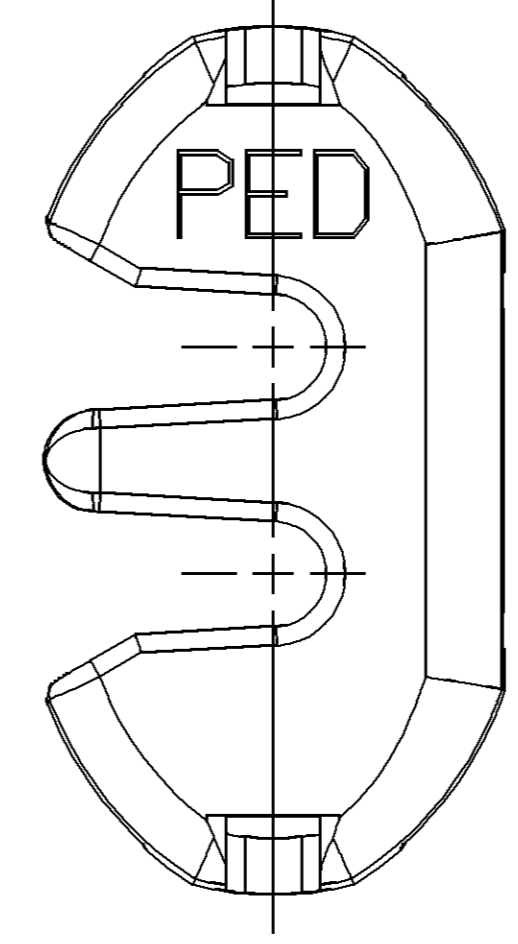
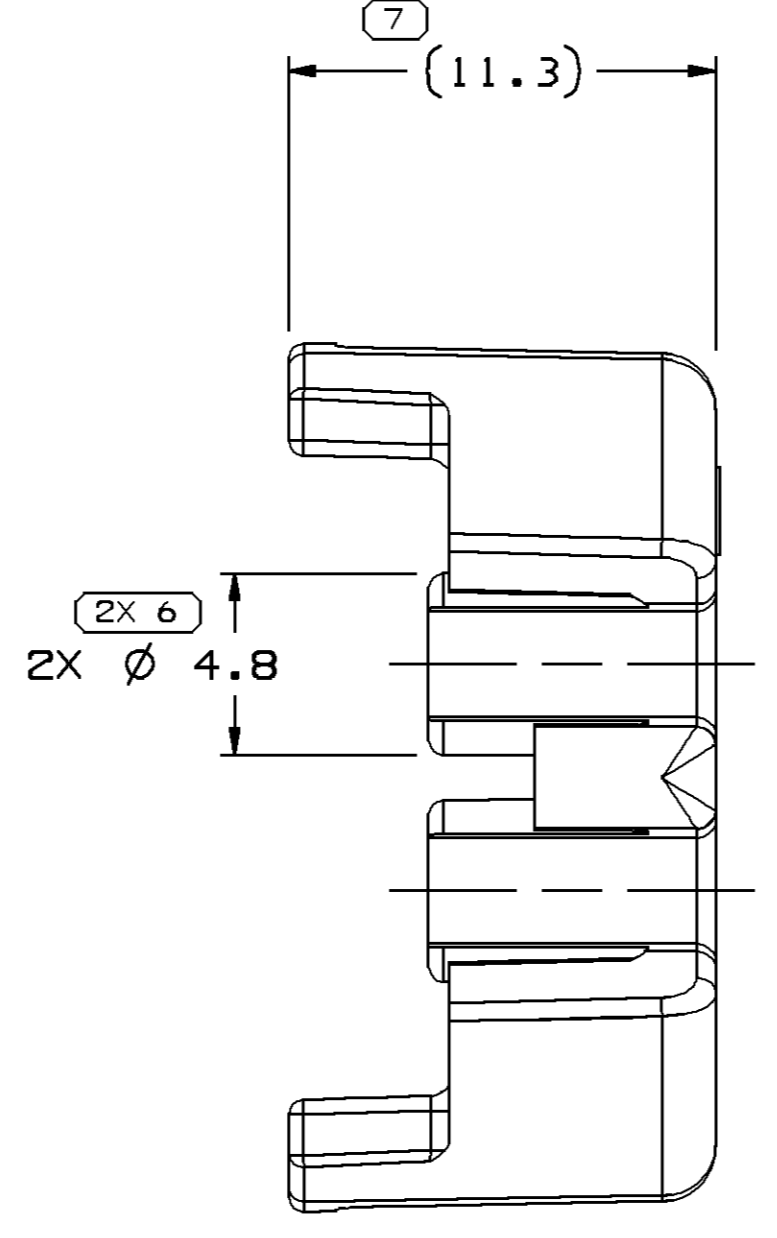
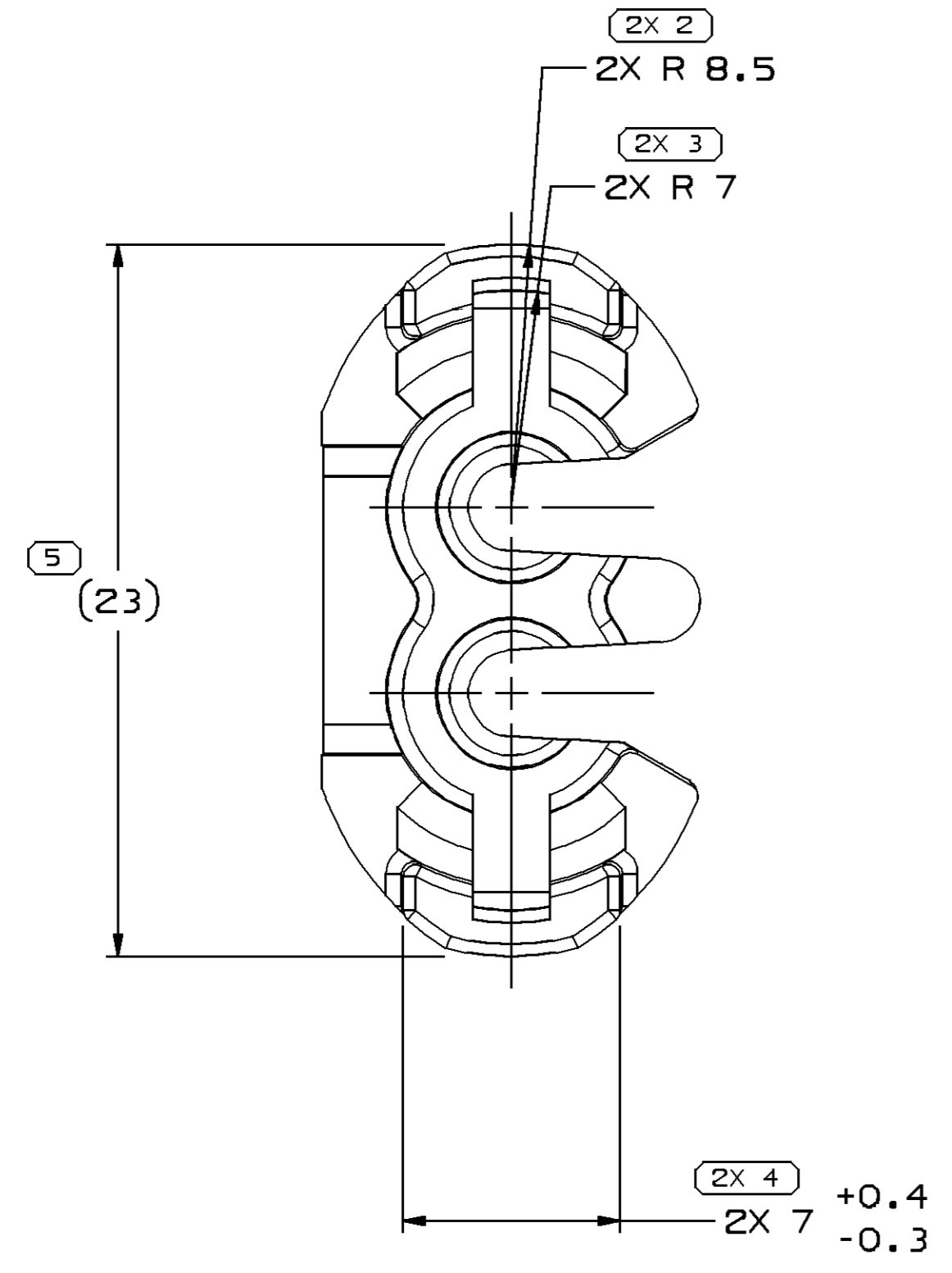
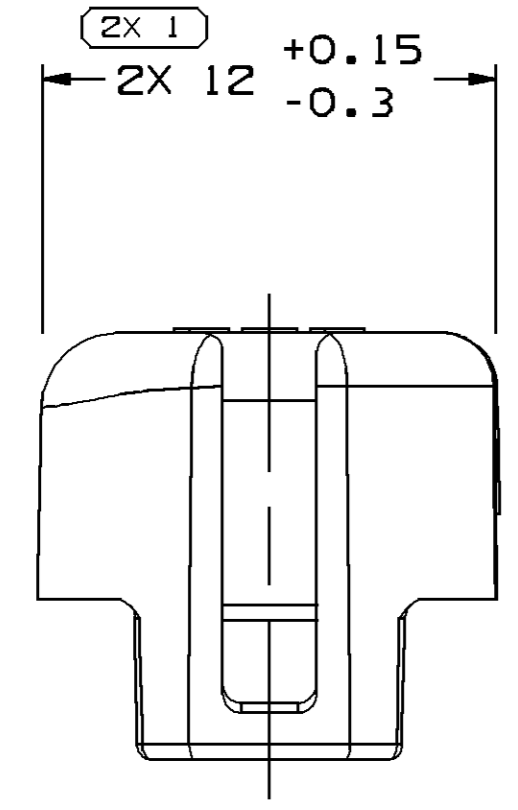


| SYMBOL DEFINITION | | MISSING SYMBOLS | |
|---|----------------------------------|--------------------------|----|
| A DIMENSION WITHOUT AN INSPECTION REPORT SYMBOL  DOES NOT REQUIRE INSPECTION. IT MAY BE CONTROLLED ON THE INDIVIDUAL COMPONENT DRAWING. | TOTAL NO OF INSPECTIONS REQUIRED | NO MISSING SYMBOL NUMBER | 12 |
| | LAST NO. USED | | 7 |

| DWG STATUS | | | | ZONE | REVISION HISTORY | AUTH | DR | APVD1 | APVD2 |
|------------|-----|-----|-----|------|------------------------------------|--------|-----|-------|-------|
| DATE | STG | REV | N/P | | | | | | |
| 18JUN01 | R | 01 | - | - | ALL PARTS - UPDATED PDM ATTRIBUTES | 210955 | EGR | EAR | GMC |
| 07DEC01 | R | 02 | - | - | 12077756 - UPDATED PDM ATTRIBUTES | 215063 | HAM | HAM | DB |
| 19MY04 | R | 03 | - | - | 15496842 - RELEASED | 255176 | GPS | FRG | MJD |
| 04AP06 | R | 04 | - | - | 15324327 - OBSOLETE | 278839 | CCV | FRG | BDG |
| 10AP07 | R | 05 | - | - | 13642557 - RELEASED | 401103 | GLG | JVM | GGI |



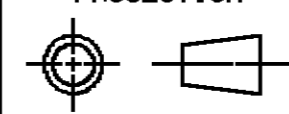
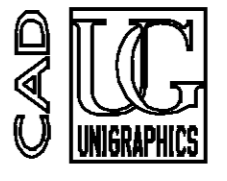
NOTES

- UNLESS OTHERWISE SPECIFIED AND/OR INDICATED:
DIMENSIONS ARE TO FACE OF VIEW SHOWN AND AUTOMATICALLY ROUNDED BY COMPUTER FOR INSPECTION (SEE MATH MODEL FOR PRECISE DIMENSIONS). FOR ALL OTHER DIMENSIONS NOT SHOWN BUT REQUIRED FOR TOOL BUILD, SEE MATH MODEL FOR PRECISE TOOL PATH DATA.
- MATERIAL RECYCLING CODE PER ISO 11469. (2.3)X(0.1) CHARACTERS AS SHOWN TO BE LOCATED ON ANY EXTERIOR SURFACE.
- THIS PART IS NOT CONTROLLED FOR AUTOMATIC FEEDING.
- REFERENCE MATING COMPONENTS OR EQUIVALENT:
CONNECTOR TWO WAY 150 SERIES MALE & FEMALE PUSH-TO SEAT
- (2.3)X(0.1) DELPHI CORPORATE BRAND TO BE LOCATED ON ANY EXTERIOR SURFACE, PREFERABLY VISIBLE AT FINAL ASSEMBLY. OPTIONAL CONSTRUCTION TO BE "PED".
- MAX CABLE DIAMETER THAT WILL FIT PART IS Ø 2.8
- DUE TO HEAT REQUIREMENTS, THE MATERIAL SPECIFIED CANNOT BE CHANGED WITHOUT THE APPROVAL OF THE SUPERVISOR OF COMPONENT LIAISON OR HIS DELEGATE.

| 13642557 | 01 | - | - | M3592015 PA66 HS IM GRN LT | 0.931 |
|----------|-----|-----|----------|----------------------------------|---------------------|
| 15496842 | 01 | - | - | M3592004 PA66 HS IM-RED | 0.931 |
| 15324327 | 02 | AA | OBSOLETE | M3586001 PA46 HS IM-NAT | 0.931 |
| 12124790 | 02 | - | - | M3592025 PA66 HS IM-GRA MD | 0.931 |
| 12077755 | 07 | - | - | M3592001 PA66 HS IM-BLK | 0.931 |
| 12052634 | 08 | AA | - | M3592008 PA66 HS IM-BLU | 0.931 |
| PART NO | REV | N/P | STATUS | MATERIAL SPECIFICATION AND COLOR | VOL CM ³ |

| DIMENSIONAL RANGE (MM) | | CHART ET | |
|------------------------|-------|----------|-------|
| FROM | TO | > | > |
| > 0 | > 20 | > 30 | > 70 |
| > 20 | > 30 | > 70 | > 100 |
| > 30 | > 70 | > 100 | > 150 |
| > 70 | > 100 | > 150 | > 200 |
| > 100 | > 150 | > 200 | > 250 |
| > 150 | > 200 | > 250 | > 300 |
| > 200 | > 250 | > 300 | > 400 |

TOLERANCE UNLESS OTHERWISE SPECIFIED
 ±0.15 | ±0.2 | ±0.3 | ±0.4 | ±0.5 | ±0.6 | ±0.8 | ±1 | ±1.2
 ANGULAR TOLERANCE ±2°

| | |
|--|-------------------------------|
| DWG TYPE PART DRAWING | |
| STYLE | |
| VOLUME (IMP) SEE CHART | DISTR CODE D |
| UNLESS OTHERWISE SPECIFIED THIS DOCUMENT IS IN ACCORDANCE WITH ASME Y14.5M-1994 AS AMENDED BY THE 2003 GLOBAL DIMENSIONING AND TOLERANCING ADDENDUM-2003. SEPARATE PATTERNS OF FEATURES MAY BE GAGED SEPARATELY REGARDLESS OF DATUM REFERENCES. | |
| ALL DIMENSIONS ARE IN MILLIMETERS | |
| REFERENCE | |
| THIRD ANGLE PROJECTION | DO NOT SCALE USE MATH DATA |
|   | |

| | |
|---|--------------------|
| DELPHI | |
| DELPHI PACKARD ELECTRICAL/ELECTRONIC ARCHITECTURE WARREN, OH | |
| DR | DATE |
| APVD1 M. PADILLA | 260C98 |
| APVD2 C. MIRANDA | 260C98 |
| APVD3 C. MIRANDA | 260C98 |
| APVD4 | |
| APVD5 | |
| SUBSTANCES OF CONCERN AND RECYCLED CONTENT PER DELPHI 10949001 | |
| MATERIAL SEE CHART | |
| DRAWING NAME TAXI LOCK SECONDARY TPA M/P | |
| DRAWING NUMBER 12077756 | |
| SIZE A1 | SCALE 5:1 |
| FRAME NO 1 OF 1 | SHEET NO 1 OF 1 |
| STG R | REV 05 |
| N/P - | |

Mouser Electronics

Authorized Distributor

Click to View Pricing, Inventory, Delivery & Lifecycle Information:

[Delphi Connection Systems:](#)

[15496842](#) [12052634](#)