

## Stacked Coin Type

**!** This series is not a recommended product.  
Not recommended for new design.



Series : **RG**

### Features

- Endurance : +85 °C 2000 h
- Can be discharged mA current
- RoHS compliant

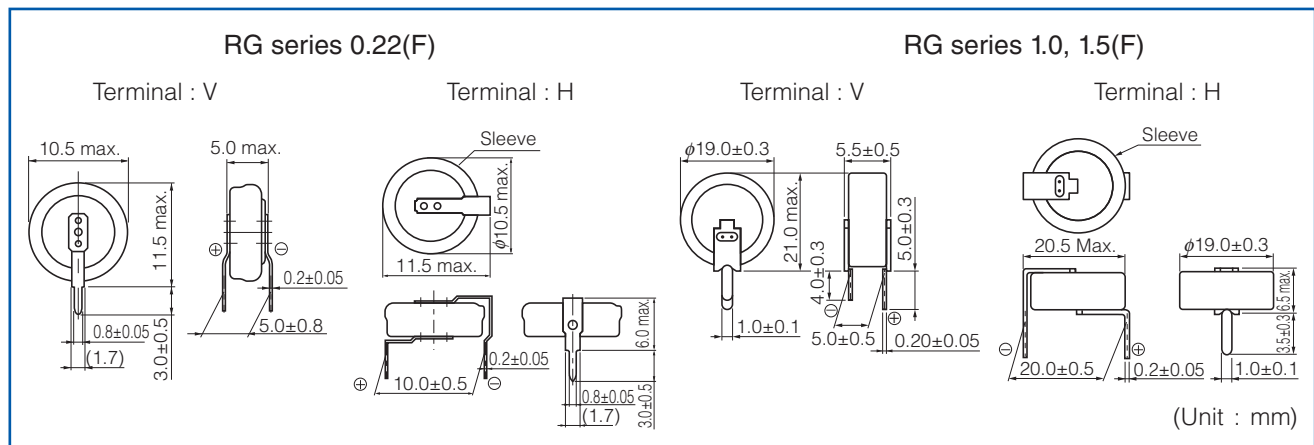
### Recommended applications

- Backup of data/RTC of base station, electronic meter, and industrial equipment
- For assist of rapid load change

### Specifications

|                                    |   |   |
|------------------------------------|---|---|
| Category temp. range               | -25 °C to +85 °C  |   |
| Maximum operating voltage          | 3.6 V.DC  |   |
| Nominal capacitance                | 0.22 F  | 1.0 F, 1.5 F  |
| Characteristics at low temperature | Capacitance change  | ±30 % of initial measured value at +20 °C (at -25 °C)             |
|                                    | Internal resistance   | ≤ 5 times of initial measured value at +20 °C (at -25 °C)         |
| Endurance                          | After 2000 hours application of maximum operating voltage at +85 °C |   |
|                                    | Capacitance change  | ±30 % of initial measured value at 20 °C                          |
| Shelf life                         | After 2000 hours storage at +85 °C without load (voltage)           |   |
|                                    | Capacitance change  | Capacitance change shall meet the specified limits for Endurance  |
|                                    | Internal resistance   | Internal resistance shall meet the specified limits for Endurance |

### Dimensions in mm(not to scale)



### Characteristics list

| Maximum operating voltage (V.DC) | Capacitance (F) | Capacitance tolerance (F) | Internal resistance (Initial specified value) (Ω) at 1 kHz | Recommended discharge current (mA) | Parts number  | Mass (Reference value) (g) | Min. packaging q'ty (pcs) |
|----------------------------------|-----------------|---------------------------|--|------------------------------------|---------------|----------------------------|---------------------------|
| 3.6                              | 0.22            | 0.176 to 0.396            | ≤ 50   | 1 or less                          | EECRG0V224( ) | 1.0                        | 200                       |
|                                  | 1.0             | 0.8 to 1.8                | ≤ 20   | 20 or less                         | EECRG0V105( ) | 4.1                        | 100                       |
|                                  | 1.5             | 1.2 to 2.7                | ≤ 20   | 20 or less                         | EECRG0V155( ) | 4.2                        | 100                       |

Do not use reflow soldering. (IR, Atmospherheating methods, etc.) Please refer to the page of "Application guidelines".

( ) : Please use V or H to indicate terminal type.

The recommended discharge current is a reference value. Please design your equipment(circuit) in consideration of IR drop.

# Mouser Electronics

Authorized Distributor

Click to View Pricing, Inventory, Delivery & Lifecycle Information:

[Panasonic:](#)

[EEC-RG0V105H](#) [EEC-RG0V105V](#) [EEC-RG0V224H](#) [EEC-RG0V224V](#) [EEC-RG0V155V](#) [EEC-RG0V155H](#)