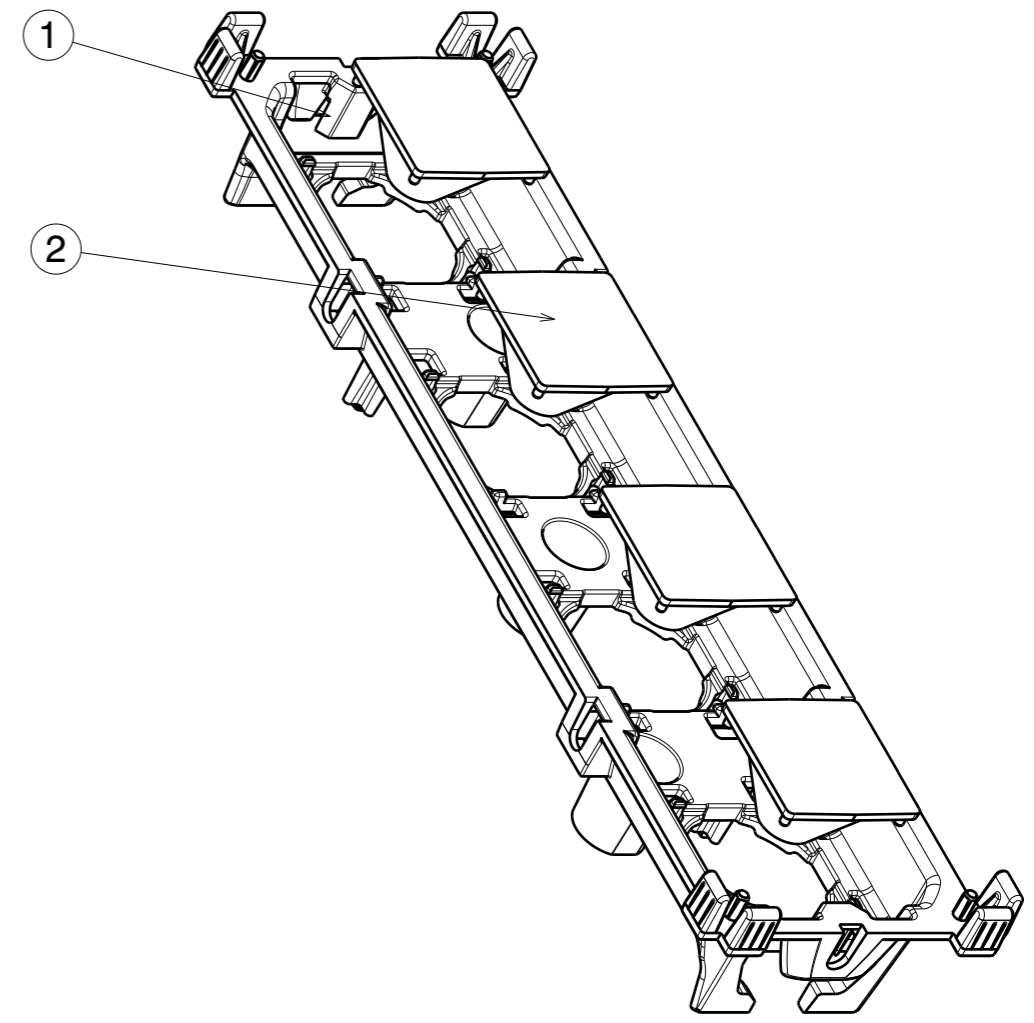
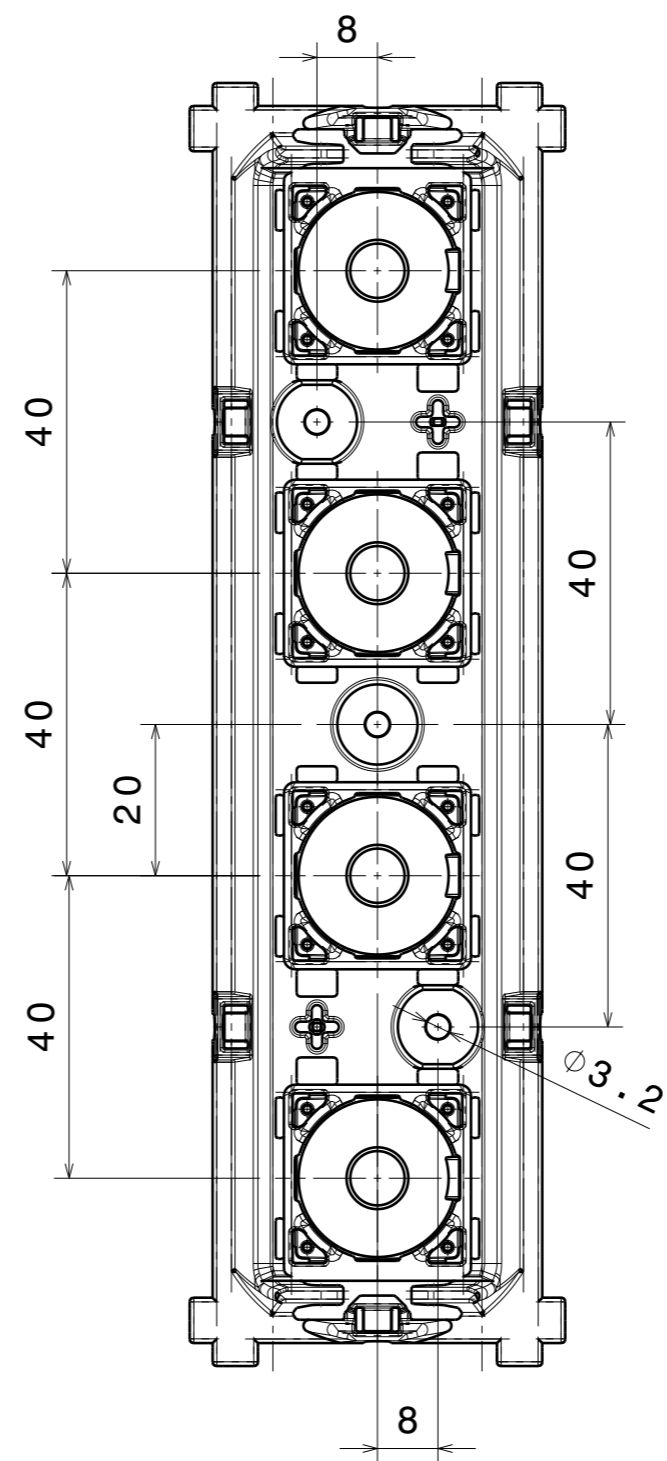
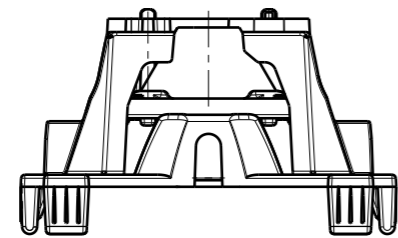
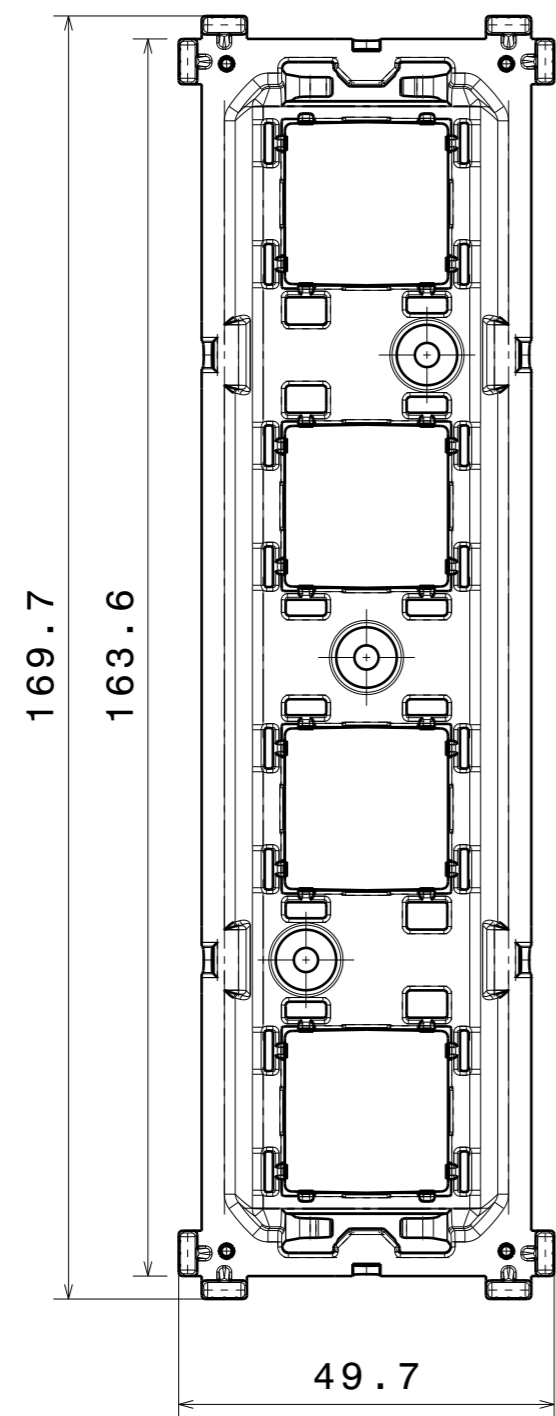
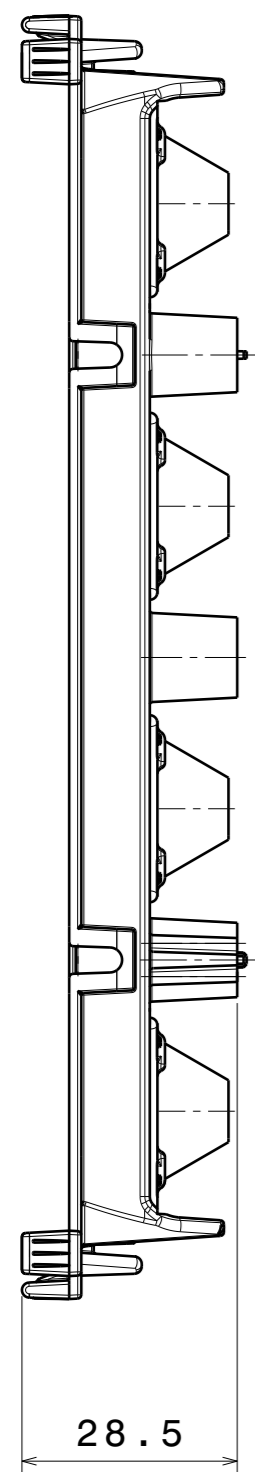


H G F E D C B A

4 3 2 1



INDEX	PART NO	DESCRIPTION	MATERIAL	COLOUR
1		FLORENTINA-4x1-HLD	PC	
2		ROSE (4x)	PC	

Tolerances if not otherwise shown
 According to DIN ISO 2768-1
 Linear measures:
 Up to 30mm class M, otherwise class C.
 According to DIN ISO 2768-2
 Form and position: class L

LEDiL LediL Oy
 Salorankatu 10
 FIN 24240 SALO
 Finland

THIRD ANGLE PROJECTION:

DRAWING TITLE
FLORENTINA-4X1-HLD+LENS

This drawing is the property of LEDiL Oy. It may not be reproduced, copied or communicated without a written agreement with LEDiL Oy.

SIZE **A3** PART NUMBER

SCALE 1:1 WEIGHT 25,33 g SHEET 1/1

H G B A