

# KLS1-204 I.D.C SOCKET 2.54mm (0.10")

## Electrical Characteristics:

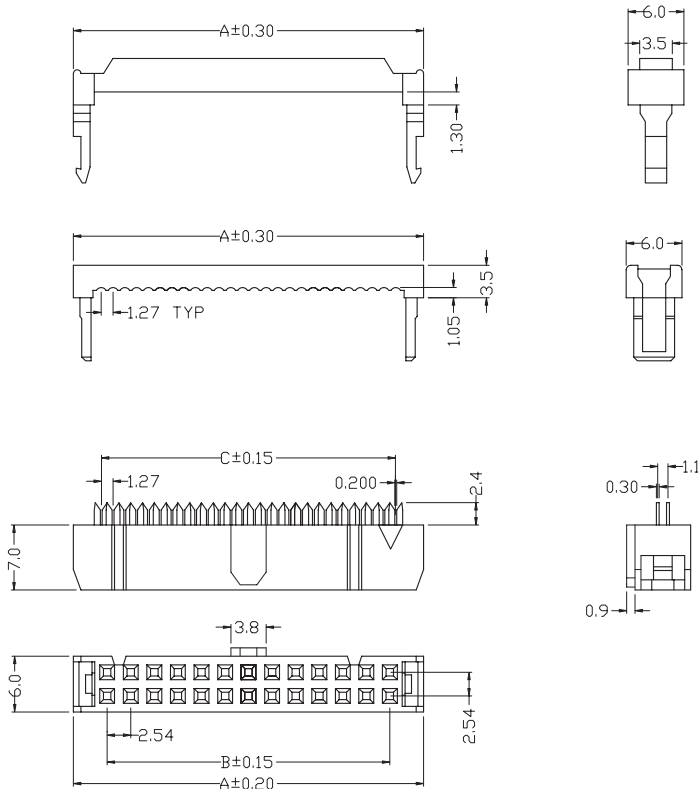
Current Rating: 1 AMP  
 Insulator Resistance: 5000M Ohm min. at DC 500V  
 Contact Resistance: 20m Ohm max. at DC 100mA  
 Operating Temperature: -45eC~+105eC

## Material:

Housing: 30% Glass filled PBT UL94V-0  
 Contacts: Brass or Phosphor Bronze  
 Plating: Selective gold plated: gold plated on mating area and nickel plated on wire cutting area  
 Gold plated: 3u" over 50u" nickel  
 Cable: 1.27mm (0.050") pitch flat cable

## Features:

- \* Optional polarizing key, polarizing bump.
- \* Optional strain relief.



## Dimension

| Position | A     | B     | C     |
|----------|-------|-------|-------|
| 06       | 12.22 | 5.08  | 6.35  |
| 08       | 14.76 | 7.62  | 8.89  |
| 10       | 17.30 | 10.16 | 11.43 |
| 14       | 22.38 | 15.24 | 16.51 |
| 16       | 24.92 | 17.78 | 19.05 |
| 20       | 30.00 | 22.86 | 24.13 |
| 24       | 35.08 | 27.94 | 29.21 |
| 26       | 37.62 | 30.48 | 31.75 |
| 30       | 42.70 | 35.56 | 36.83 |
| 34       | 47.78 | 40.64 | 41.91 |
| 40       | 55.40 | 48.26 | 49.53 |
| 50       | 68.10 | 60.96 | 62.23 |
| 60       | 80.80 | 73.66 | 74.93 |
| 64       | 85.88 | 78.74 | 80.01 |

## ORDER INFORMATION

Product NO.: KLS1-204-XX-B

Pos. NO. \_\_\_\_\_ Insulator Color: B=Black G=Gray L=Blue  
 I.D.C SOCKET Series \_\_\_\_\_ Number of Contacts: XX=06-64Pin