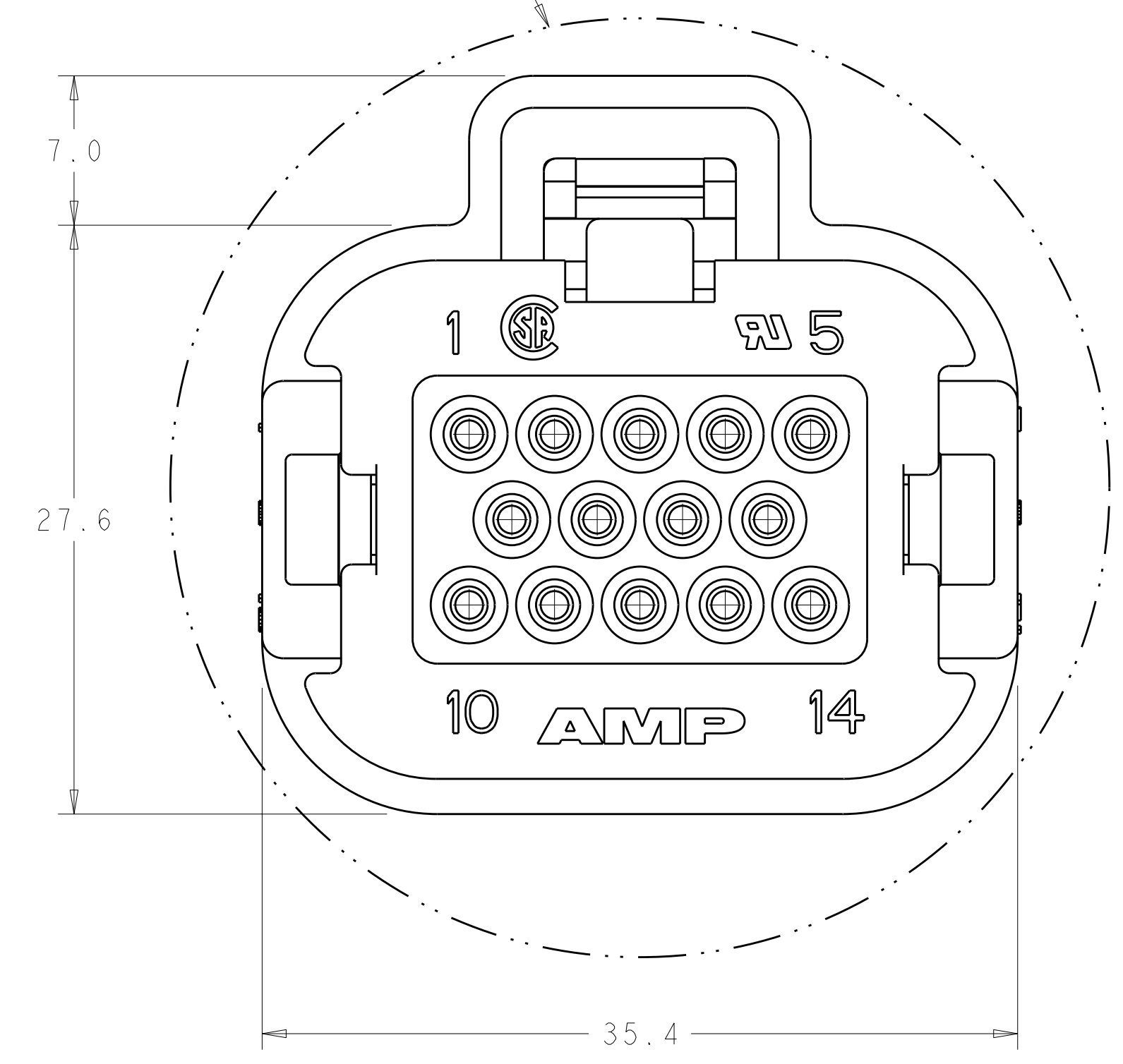
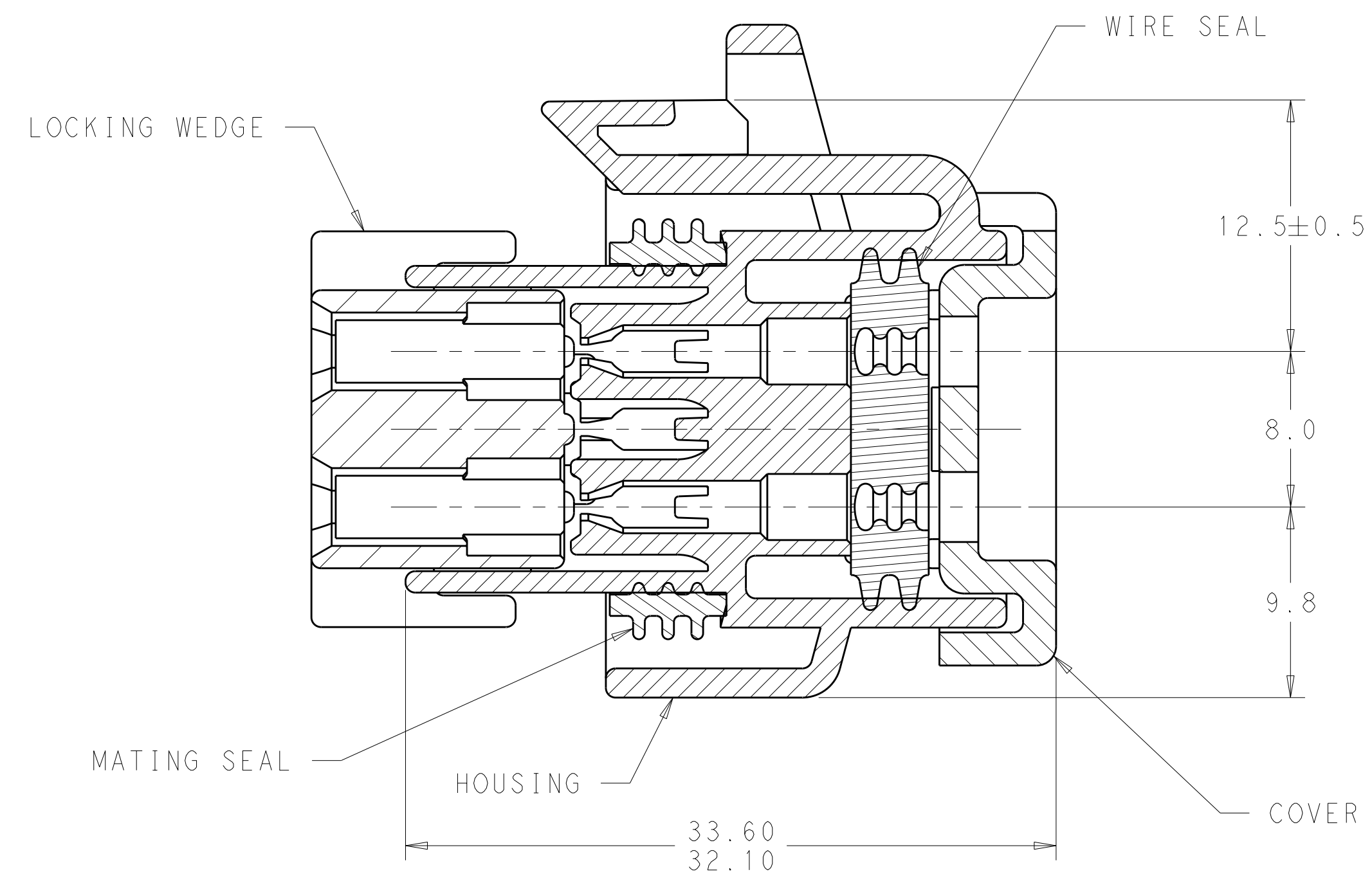
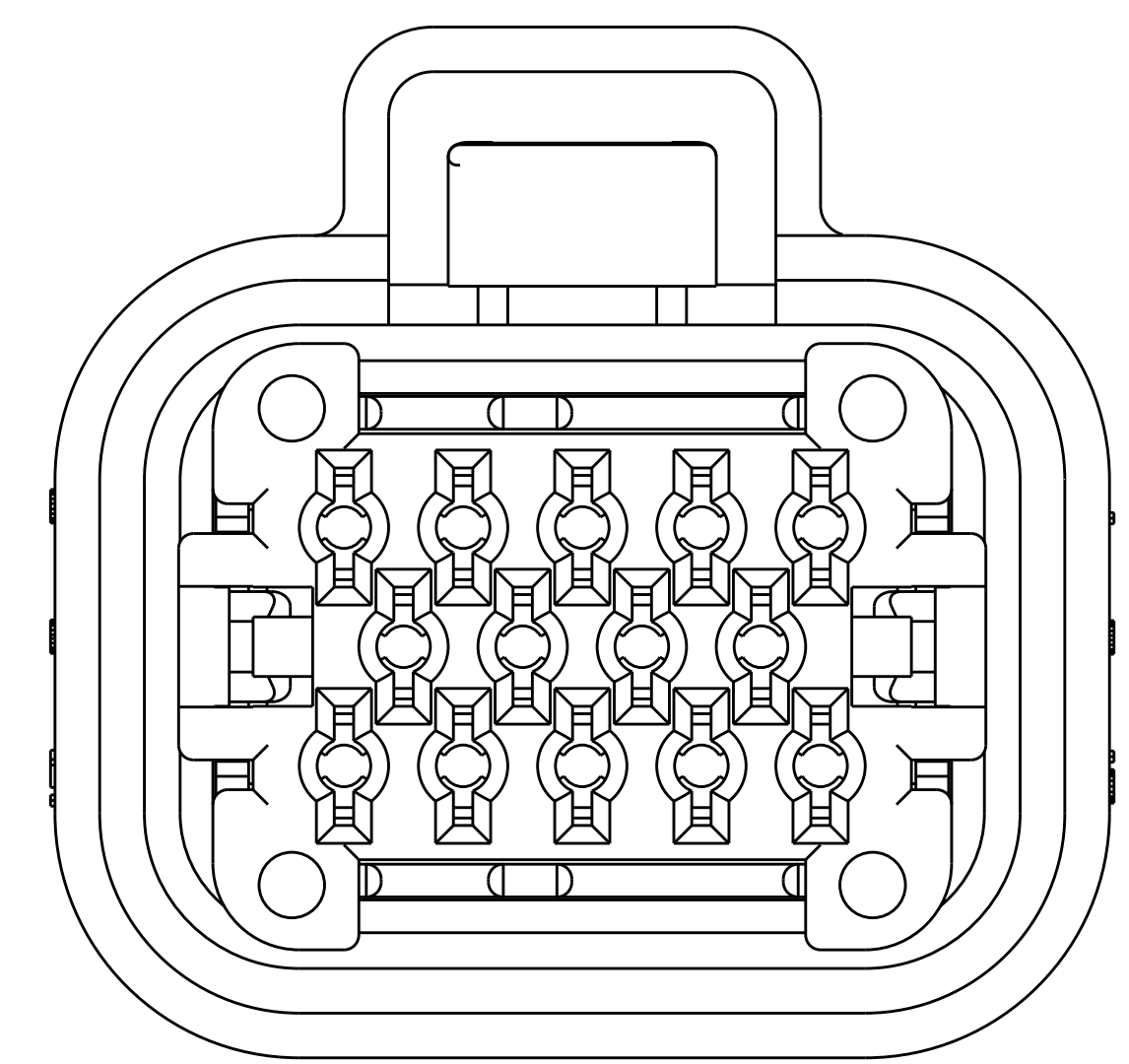


LOC	DIST	REV	DATE	BY	CHK	APPV
HK	00	F1	11MAR2011	RK	HMR	

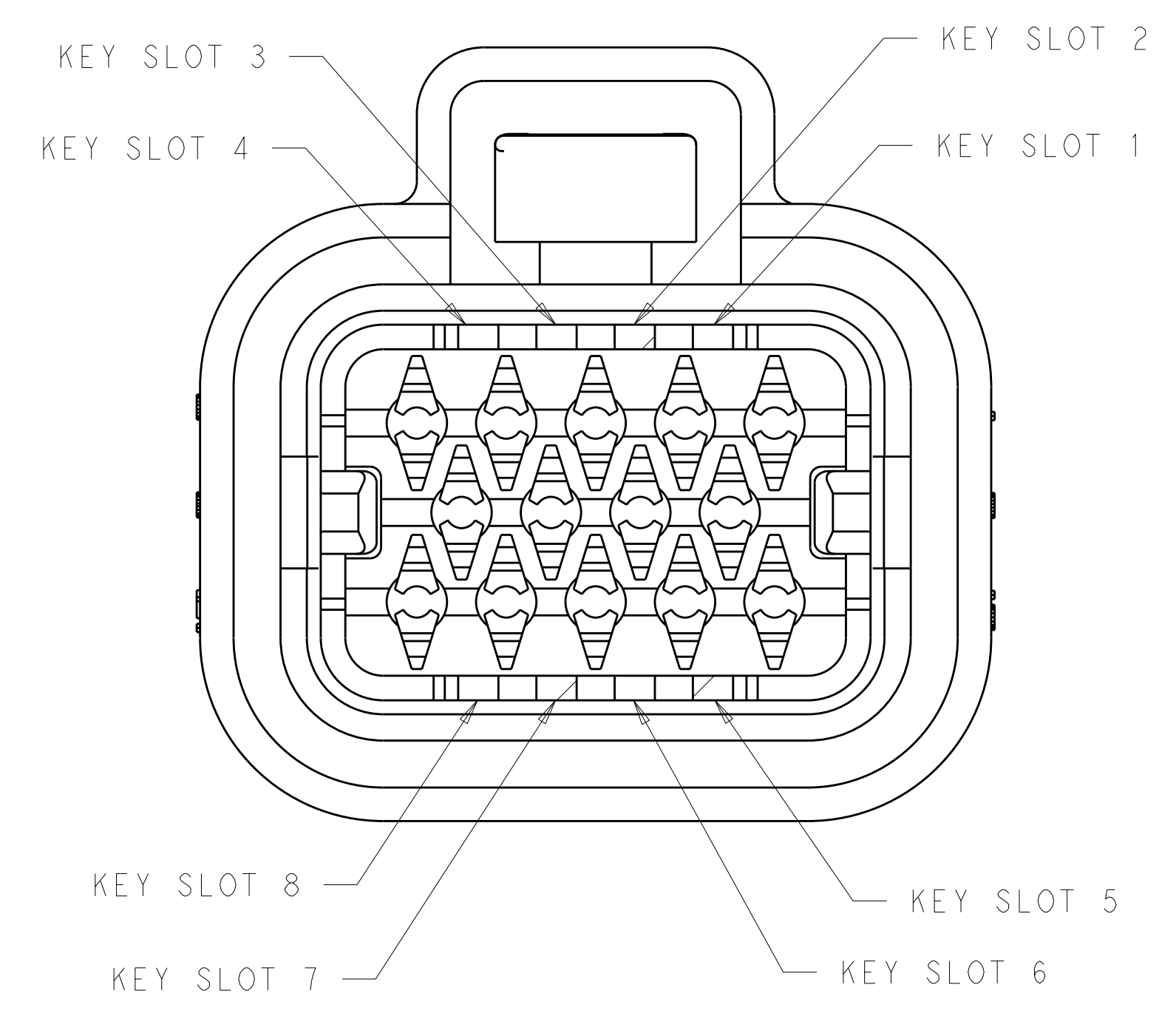
ASSEMBLY WILL PASS THRU Ø44 OPENING



⚠ HOUSING COLORS ARE MECHANICALLY KEYPED TO MATE WITH IDENTICALLY COLORED HEADER ASSEMBLIES.



BOTTOM VIEW WITH LOCKING WEDGE



KEY SLOT LOCATIONS

KEY SLOT LOCATION (SEE VIEW ABOVE)	PART NUMBER
3 & 5	776273-5
2 & 8	776273-4
1 & 6	776273-2
3 & 7	776273-1

GLASS FILLED PBT, BLACK	SILICONE RUBBER, GREEN	SILICONE RUBBER, GREEN	PBT, RED	PBT, BLUE	776273-5
				PBT, GRAY	776273-4
				PBT, NATURAL	776273-2
				PBT, BLACK	776273-1
COVER	WIRE SEAL	MATING SEAL	LOCKING WEDGE	HOUSING	PART NUMBER

THIS DRAWING IS A CONTROLLED DOCUMENT.

DIMENSIONS: mm	TOLERANCES UNLESS OTHERWISE SPECIFIED:	0 PLC ±	1 PLC ±0.2	2 PLC ±	3 PLC ±	4 PLC ±	ANGLES ±	FINISH
SEE TABLE	SEE TABLE							

DWN: R. VESTAL 08SEP2009  
 CHK: D. STRAUSSER 08SEP2009  
 APPV: D. STRAUSSER 08SEP2009  
 NAME: **STE** TE Connectivity  
 PRODUCT SPEC: 108-1329  
 APPLICATION SPEC: 114-16016  
 WEIGHT: -  
 CUSTOMER DRAWING  
 SIZE: A100779 CAGE CODE: C-776273 DRAWING NO: 776273  
 RESTRICTED TO: -  
 SCALE: 4:1 SHEET 1 OF 1 REV: F1