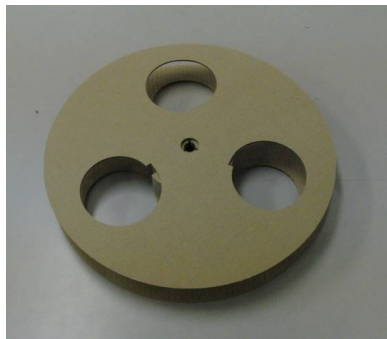


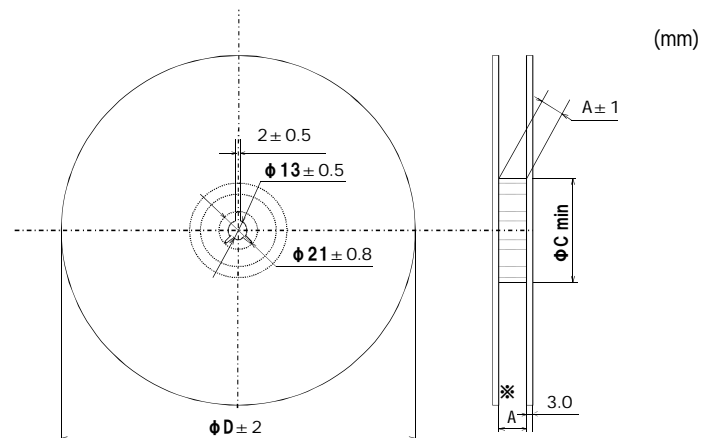
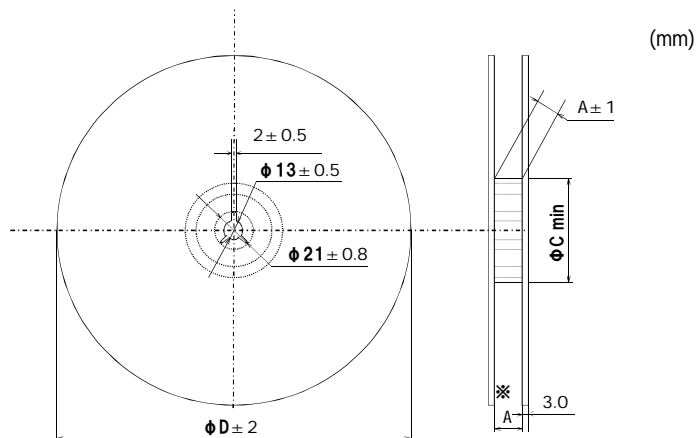
現行品

変更品

Appearance



Dimensions



Size code	A	C	D
B	14	50	380
C	14	50	380
D	18	50	380
D8	18	50	380
E	18	50	380
F	26	50	380
G	26	50	380

Dimension※does not exceed 1.5 times of A.

Size code	A	C	D
B	14	50	380
C	14	50	380
D	18	50	380
D8	18	50	380
E	18	50	380
F	26	50	380
G	26	50	380

Dimension※does not exceed 1.5 times of A.

Standard reel material and part number suffix

PU and Outer carton q'ty

Series	Automotive	φ4 ~ φ5		φ6.3 ~ φ10		φ12.5 (φ10x16)		φ16 ~ φ18		reel size 380mm				
		Reel Material	P/N suffix	Reel Material	P/N suffix	Reel Material	P/N suffix	Reel Material	P/N suffix	size code	case size	PU	O/C q'ty	Reel
S	○	Paper→Plastic	R	Paper→Plastic	P	-	-	-	-	A	3	2,000	20,000	10
HA	○	Paper→Plastic	R	Paper→Plastic	P	-	-	-	-	B	4	2,000	20,000	10
HB	○	Paper→Plastic	R	Paper→Plastic	P	-	-	-	-	C	5	1,000	10,000	10
HC	○	Paper→Plastic	R	Paper→Plastic	P	-	-	-	-	D	6.3	1,000	10,000	10
HD	○	Paper→Plastic	R	Paper→Plastic	P	Plastic	Q	Plastic	M	E	8x6	1,000	10,000	10
FC	○	Paper→Plastic	R	Paper→Plastic	P	-	-	-	-	D8	6.3x8	900	9,000	10
FK	○	Paper→Plastic	R	Paper→Plastic	P	Plastic	Q	Plastic	M	F	8x10	500	3,000	6
FP	○	Paper→Plastic	R	Paper→Plastic	P	-	-	-	-	G	10x10	500	3,000	6
FT	○	Plastic	R	Plastic	P	-	-	-	-	G13	10x13	250	1,250	5
FKS	○	Plastic	R	Plastic	P	-	-	-	-	G17	10x16	250	1,250	5
EB	X	-	-	Paper→Plastic	P	Plastic	Q	Plastic	M	H13	13x13	200	1,000	5
TG	○	-	-	Paper→Plastic	P	-	-	-	-	H16	13x16	150	750	5
TK	○	-	-	Paper→Plastic	P	Plastic	Q	Plastic	M	J16	16x16	150	750	5
TP	○	-	-	Paper→Plastic	P	-	-	-	-	K16	18x16	125	500	4
TQ	○	-	-	Plastic	P	-	-	-	-	J21	16x21	75	300	4
TC	○	-	-	Plastic	P	-	-	-	-	K21	18x21	75	300	4
TC-U	○	-	-	Plastic	P	-	-	-	-					
ZA	○	Plastic	R	Plastic	P	-	-	-	-					
ZC	○	Plastic	R	Plastic	P	-	-	-	-					
ZK	○	Plastic	R	Plastic	P	-	-	-	-					
ZE	○	-	-	Plastic	P	-	-	-	-					

Current Plastic reel
P/N suffix "J" --> continue REMAIN

From 2017/9/1 production
All P/N change material from paper to Plastic.
P/N suffix is not changed.