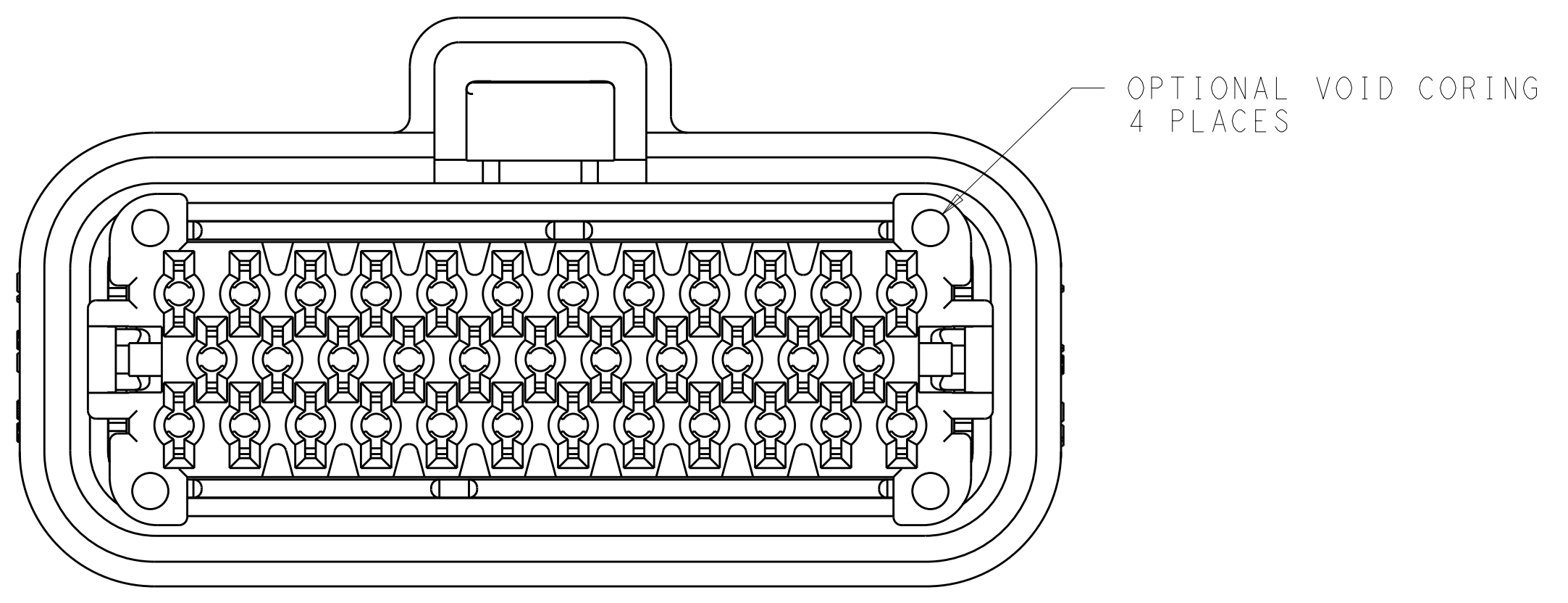
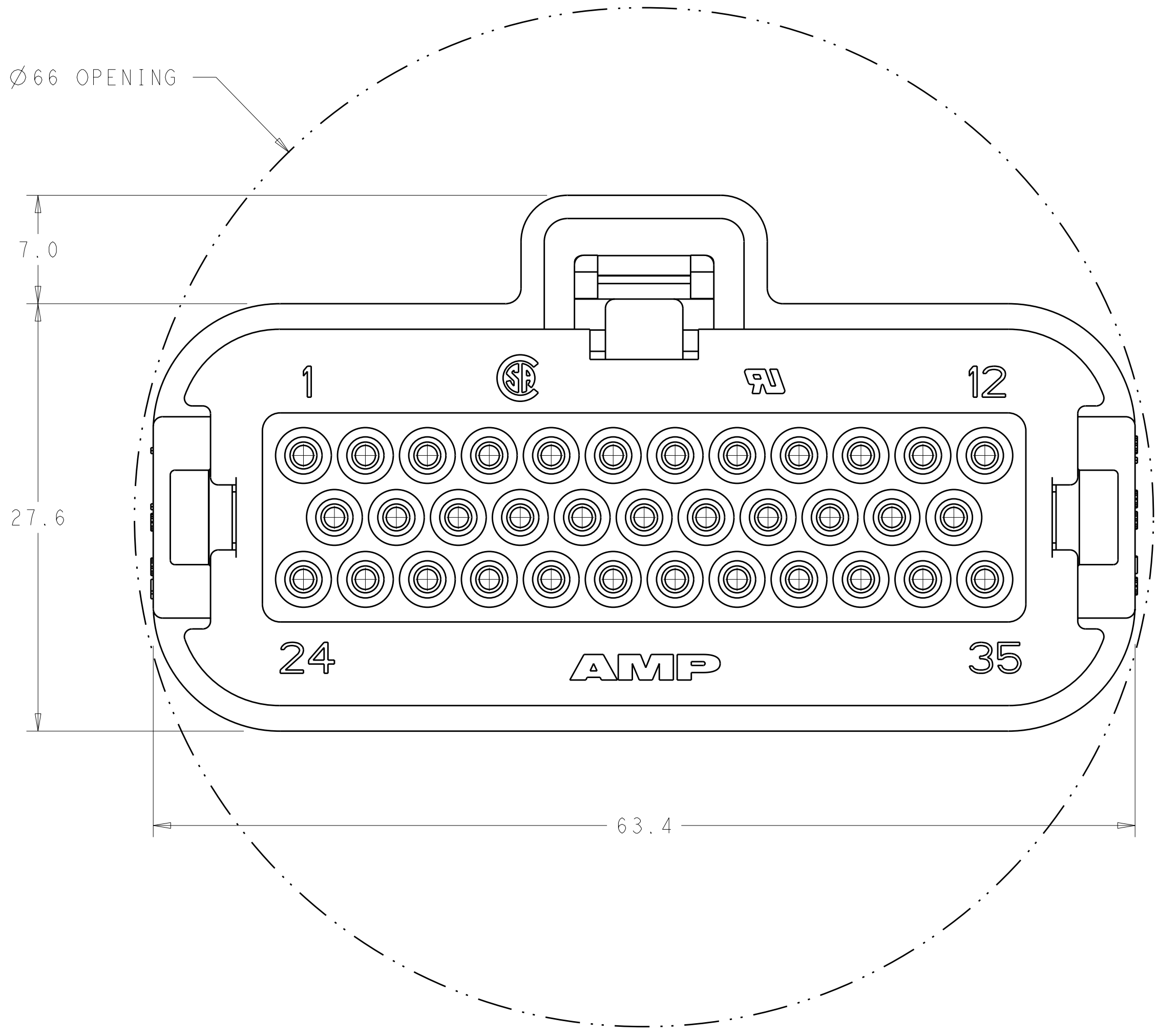
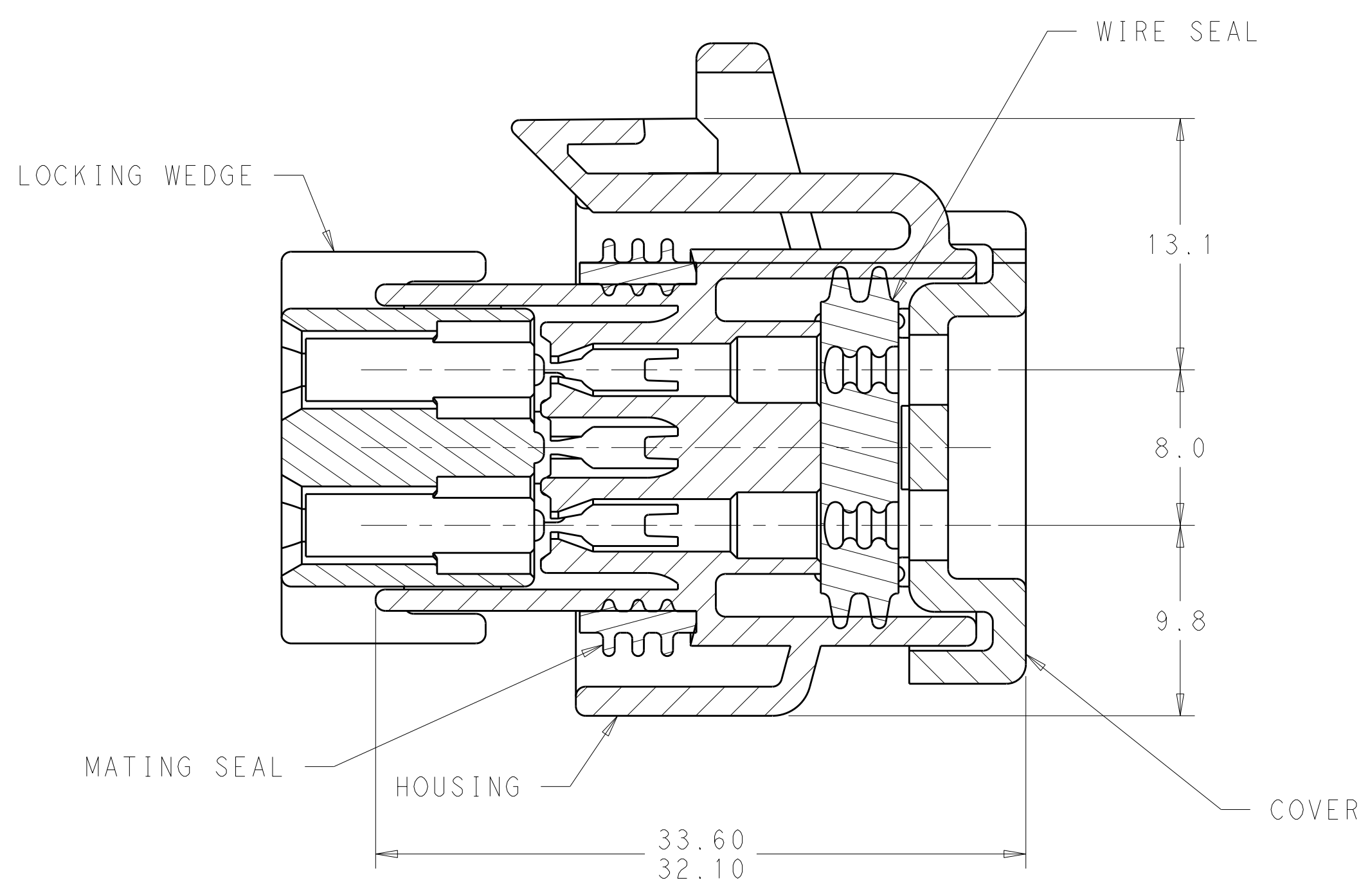


LOC	DIST	REV	DATE	BY	CHK	APPV
HK	00	E1	03JUN2011			
		E2	23JUN2011			

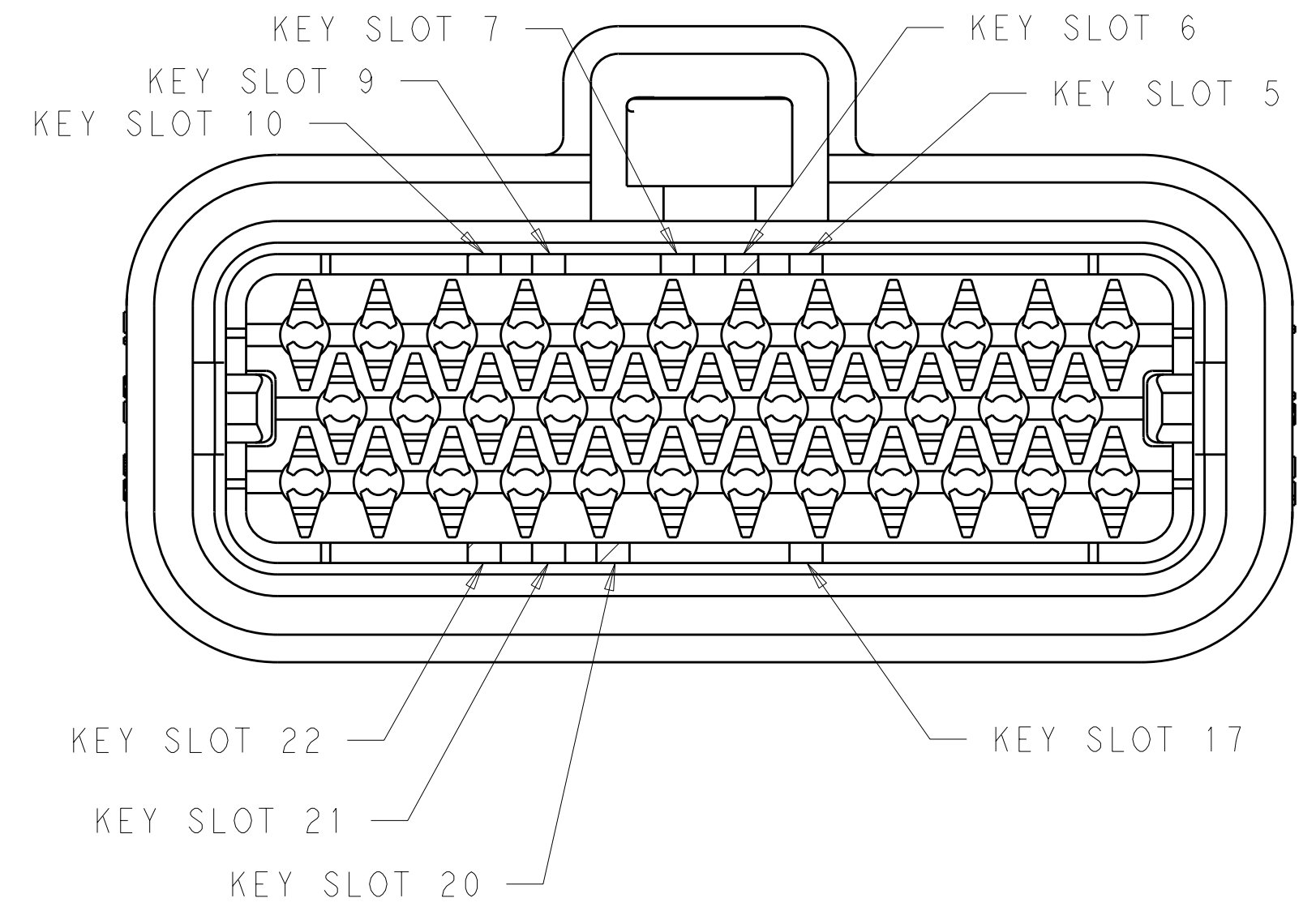
REVISIONS
 DESCRIPTION DATE DWN APVD
 REVISED PER ECO-11-011612 03JUN2011 DLD DLD
 REVISED PER ECO-11-013055 23JUN2011 DLD DCS

△ HOUSING COLORS ARE MECHANICALLY KEYPED TO MATE WITH IDENTICALLY COLORED HEADER ASSEMBLIES.

ASSEMBLY WILL PASS THRU Ø66 OPENING



BOTTOM VIEW WITH LOCKING WEDGE
 SCALE 3:1



KEY SLOT LOCATIONS
 SCALE 3:1

7 & 22	776164-6
5, 10 & 22	776164-5
9 & 21	776164-4
7 & 17	776164-2
6 & 20	776164-1
KEY SLOT LOCATION (SEE VIEW ABOVE)	PART NUMBER

GLASS FILLED PBT, BLACK	SILICONE RUBBER, RED	SILICONE RUBBER, RED	PBT, RED	PBT, ORANGE	776164-6
				PBT, BLUE	776164-5
				PBT, GRAY	776164-4
				PBT, NATURAL	776164-2
				PBT, BLACK	776164-1
COVER	WIRE SEAL	MATING SEAL	LOCKING WEDGE	△ HOUSING	PART NUMBER

THIS DRAWING IS A CONTROLLED DOCUMENT. DWN: R. VESTAL 08SEP2009
 CHK: D. STRAUSSER 08SEP2009
 APPV: D. STRAUSSER 08SEP2009

TE Connectivity

PLUG ASSEMBLY, 35 POSITION, AMPSEAL

SIZE: A100779 C=776164
 SCALE: 4:1 SHEET: 1 OF 1 REV: E2