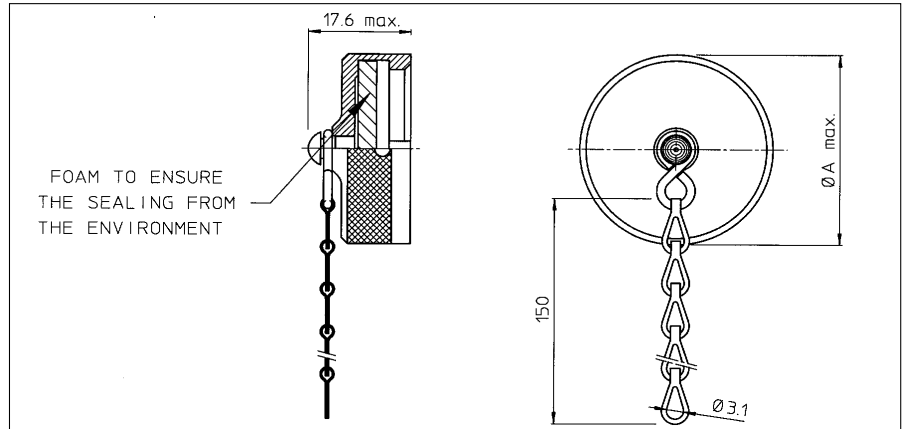
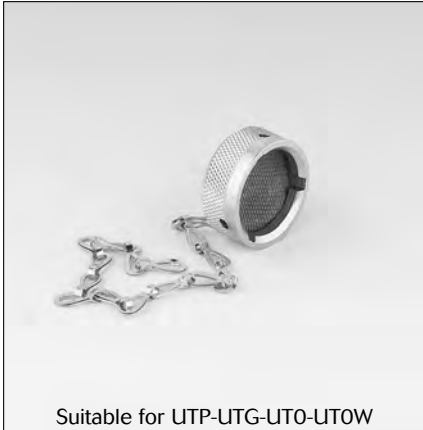




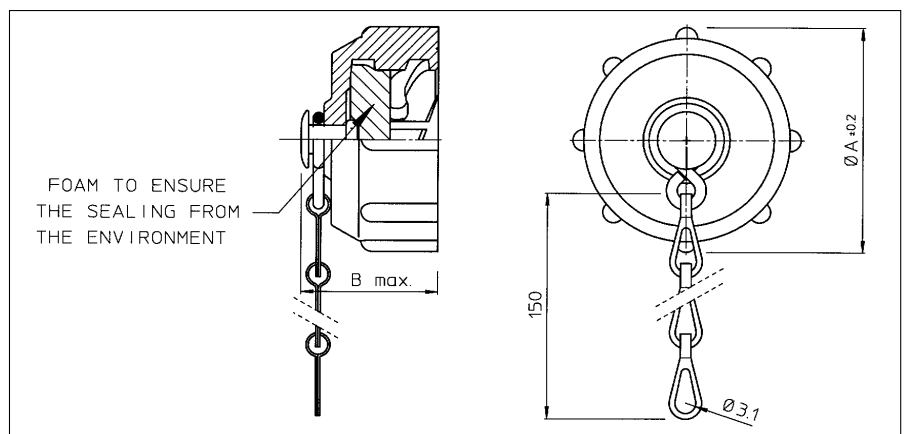
Metal environmental dustcap for receptacles (UT0--DCG)



| Part number | Shell size | A max. |
|-------------|------------|--------|
| UT010DCG | 10 | 20.8 |
| UT012DCG | 12 | 24.9 |
| UT014DCG | 14 | 28.1 |
| UT016DCG | 16 | 31.3 |
| UT018DCG | 18 | 34.4 |
| UT020DCG | 20 | 37.6 |
| UT022DCG | 22 | 40.8 |
| UT024DCG | 24 | 43.9 |

For dustcap without chain skip "G" e.g. UTG12DC
For jam dustcap consult factory

Plastic environmental dustcap for receptacles (UTP--DCG)



| Part number | Shell size | Ø A ±0.2 | B max. |
|-------------|------------|----------|--------|
| UTP10DCG | 10 | 26.7 | 19.3 |
| UTP12DCG | 12 | 31.4 | 20.0 |
| UTP14DCG | 14 | 34.5 | 20.2 |
| UTP16DCG | 16 | 37.8 | |
| UTP18DCG | 18 | 40.8 | |
| UTP20DCG | 20 | 43.9 | |
| UTP22DCG | 22 | 47.0 | 21.8 |
| UTP24DCG | 24 | 50.1 | |

For dustcap without chain skip "G" e.g. UTP12DC
For jam dustcap consult factory