

The logo for DONE, featuring the word "DONE" in a bold, teal, sans-serif font. The letter "D" is stylized with a white circular element inside its top curve. The logo is contained within a white rounded rectangle with a thin teal border.

**DONE**

# MXC SERIES LED DRIVERS

---

DL-100H-56A/P-MXC SPEC

V1.0

## Features

- Class I structure
- Input voltage: 100-305 V ~ 50/60 Hz
- Rated input voltage: 200-277 V ~ 50/60 Hz
- Efficiency :91%(Typ.)
- Constant power drive and constant current output control mode
- Metal shell structure, protection grade: IP67
- Lightning protection level: differential mode 6kV, common mode 10kV
- Function selection:
  - Output current is adjusted by external potentiometer (A version only)
  - Isolated 3 in 1 dimming (p version only)
- Lifetime design: 5 years



## Applications

Road lighting、Industrial lighting、Venue lighting  
 Floodlight lighting、Landscape lighting 、Plant lighting

## Model list

Model NO.	Input voltage	Output power	Output voltage	The default current	Eff.	T.H.D	PF
DL-100H-56P-MXC	200-277V	100W	25-56Vdc	2.4A	≥90%	≤10%	≥0.95
DL-100H-56A-MXC	50/60Hz						

### Note:

1. Test conditions of the above parameters: Ta=25℃, 230Vac input, full load operation for 30 minutes;
2. When the input is less than 165±15Vac, the output power gradually decreases. When the input 165±15Vac, rated power 50W.  
Please refer to “THE OUTPUT POWER VS INPUT VOLTAGE” curve chart for details.

## Input characteristics

Parameter	Min	Typ.	Max	Note
Rated input voltage	200Vac	230Vac	277Vac	
Input voltage range	100Vac		305Vac	
Rated frequency	47Hz	50/60Hz	63Hz	
Power factor	0.95	-	-	@230Vac full load
T.H.D.	-	-	10%	@230Vac full load
Input current	-	-	0.7A	@200Vac full load
Inrush current	-	-	70A	230Vac, cold start (25°C)

## Output characteristic

Parameter	Min	Typ.	Max	Note
Rated current DL-50H-56P-MXC DL-50H-56A-MXC	-	1.8A	-	
Output current range DL-50H-56P-MXC DL-50H-56A-MXC	1.34A	-	2.5A	
Output voltage range DL-50H-56P-MXC DL-50H-56A-MXC	25V	-	56V	
Rated power(100-180Vac)	-	50W	-	The derating begins when the input voltage is less than 电压低于 165V+/-15VAC
Rated power(200-277Vac)	-	100W	-	
No-load voltage DL-50H-56P-MXC DL-50H-56A-MXC	-	-	75V	
Efficiency@200Vac DL-50H-56P-MXC DL-50H-56A-MXC	87%	88%	-	full load@200VAC

## Output characteristic

Parameter	Min	Typ.	Max	Note
Efficiency@230Vac DL-100H-56P-MXC DL-100H-56A-MXC	91%	91.5%	-	full load@230Vac
Accuracy of output current	-5%	-	+5%	
Line regulation	-3%	-	+3%	
Load regulation	-3%	-	+3%	
Starting time	300ms	-	1000ms	Full load@200-277Vac

**Note:** The output current range is limited by the input and output voltage, please refer to "I-V WORKING AREA" for details.

## Dimming characteristic

Dimming function		Min	Typ.	Max	Instructions
1-10V Dimming (Optional)	Safe applied voltage range	1V	-	12V	When the external voltage is $\geq 12V$ , the dimming will fail
	Dimming output range	10%	-	100%	-
	Rated dimming voltage range	1V	-	10V	It can be set to negative dimming mode through program setting
PWM Dimming (Optional)	PWM high level	9.5V	-	10.5V	-
	PWM low level	0	-	0.3V	-
	PWM frequency band	300Hz	-	2000Hz	-
	PWM duty cycle	10%	-	99%	Output full power at 99% duty cycle
Resistor Dimming (Optional)	External resistance value	10K $\Omega$	-	100K $\Omega$	-
	Dimming output range	10%	-	100%	-

**Note:**

1. Output current of dimming port: 100uA (typical value);
2. The maximum withstand voltage of the dimming port is 12V. If the external power supply voltage exceeds 12V or the signal line is reversely connected, the power supply will be damaged.

## Protection

Function	Function instructions
Input under-voltage protection	When the input voltage is less than $165 \pm 15\text{Vac}$ , the output power gradually decreases.
Output overload protection	Protection mode:hiccup mode,recovers automatically after fault condition is removed.
Output short circuit protection	Hiccup mode:recovers automatically after fault condition is removed
Over temperature protection	Self-recovery type: when the housing temperature is greater than $90^{\circ}\text{C}$ , the output power decreases gradually.
Output over-voltage protection	Protection mode: Hiccup mode or clamped in output highest voltage , the product is not damaged, LED driver works normally after fault condition is removed.

### Note:

1. Unless otherwise specified, all specifications and parameters shall be measured at the conditions of 230Vac (50Hz), rated load and  $25^{\circ}\text{C}$  of ambient temperature;
2. Including setting error, line regulation and load regulation.

## Environmental

Environmental categories	Parameter
Working temperature	$-40 \sim +55^{\circ}\text{C}@200-277\text{Vac}$ .
Working humidity	$-40 \sim 90^{\circ}\text{C}$
Storage temperature, humidity	$-40\sim+80^{\circ}\text{C}$ , 10 ~ 95% RH
Resistant to vibration	10 ~ 500Hz, 5G 12 min/cycle, X, Y, Z axis 72 min each
MTBF	230Khrs min. MIL-HDBK-217F ( $T_a=25^{\circ}\text{C}$ )

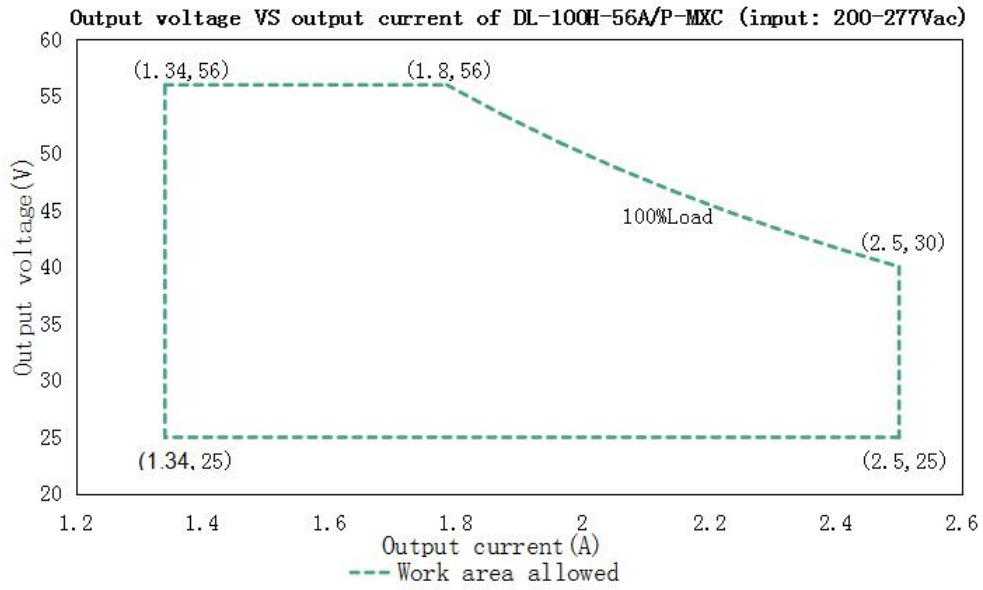
## Safety and EMC

Safety categories	Standard
Safety	GB19510.1、GB19510.14、EN61347-1、EN61347-2-13、IEC61347-1、IEC61347-2-13、AS/NZS61347.1、AS61347.2.13 UL8750;
EMC	EN 55015、EN 61547、EN 61000-3-2、GB/T 17743、GB17625.1、EN 61000-3-3 FCC Part 15
Surge protection	Differential mode L-N $\pm 6KV$ (2 ohm), common mode L, N-PE $\pm 15 KV$ ( 12 ohm ); Refer to IEC61000-4-5 2014 Criterion B
High-pot test	I/P-O/P:3.75KVac I/P-PE :1.5KVac O/P-PE : 0.5KVac I/P-DIM:3.75KVac O/P-DIM:1.5KVac
Insulation impedance	I/P-PE:100M $\Omega$ / 500VDC; I/P-O/P:100M $\Omega$ / 500VDC / 25 $^{\circ}C$ / 70% RH
Leakage current	<3.5mA@277Vac

### Note:

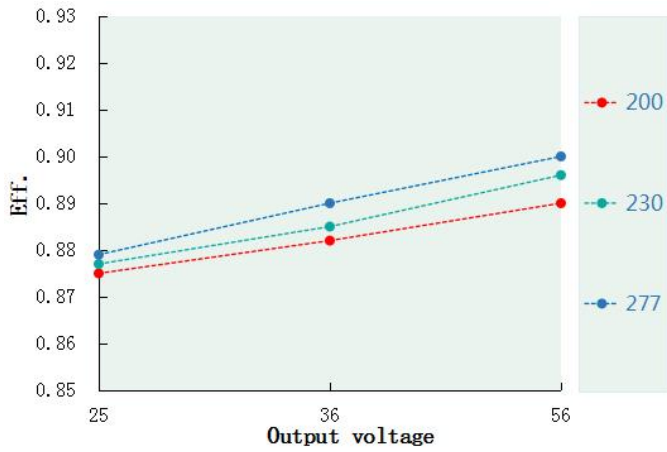
- The driver is considered as a component that will be operated in combination with the final equipment. Since EMC performance will be affected by the complete installation, the final equipment manufacturers must re-qualify EMC Directive on the complete installation again.

## I-V Working area

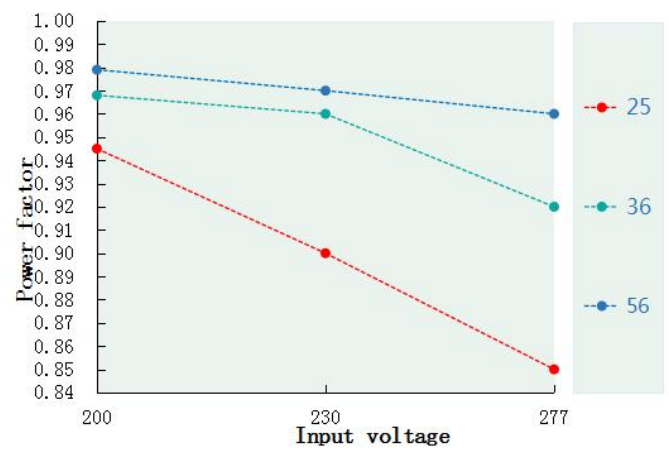


Load	Output								
Load working Voltage	25V	28V	32V	36V	40V	44V	48V	52V	56V
Io_MAX	2.5A	2.5A	2.5A	2.5A	2.5A	2.27A	2.08A	1.92A	1.8A
Po_MAX	62.5W	70W	80W	90W	100W	99.88W	99.84W	99.84W	100W

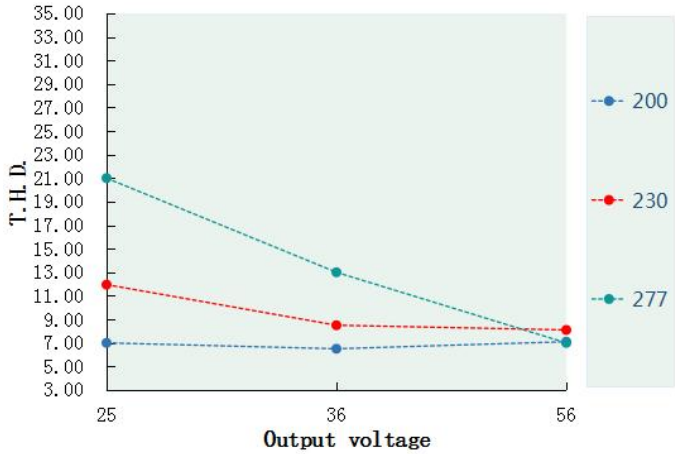
Eff. VS Output voltage(DL-100H-56P/A-MXC)



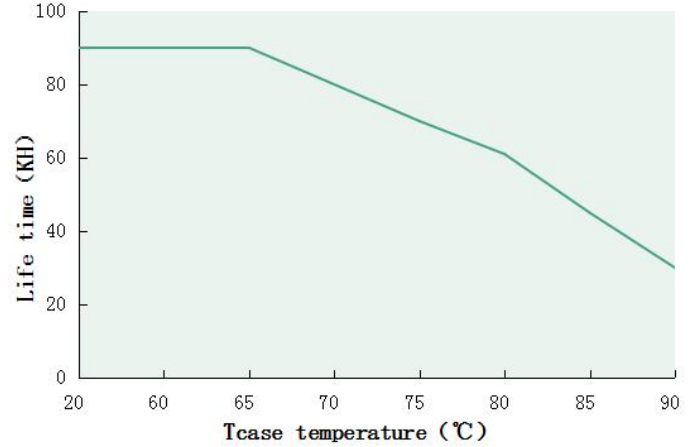
Power factor VS Input voltage((DL-100H-56P/A-MXC)



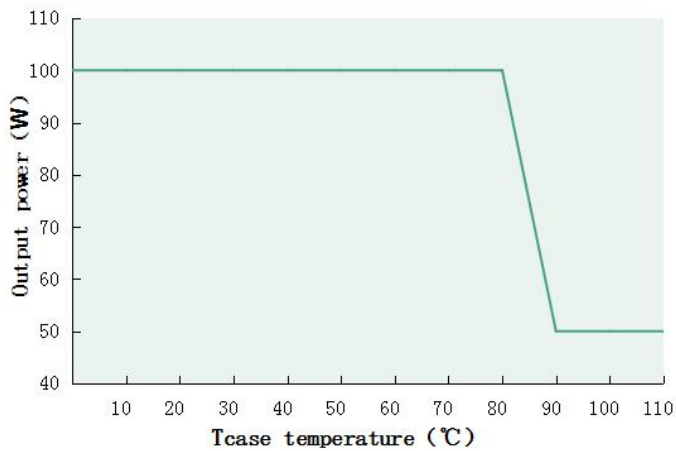
T.H.D. VS Output voltage(DL-100H-56P/A-MXC)



Tcase temperature VS Lifetime(DL-100H-MXC)

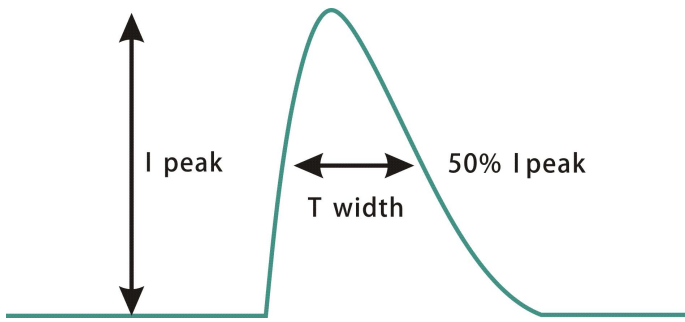


Output power VS Tcase temperature(DL-100H-MXC)



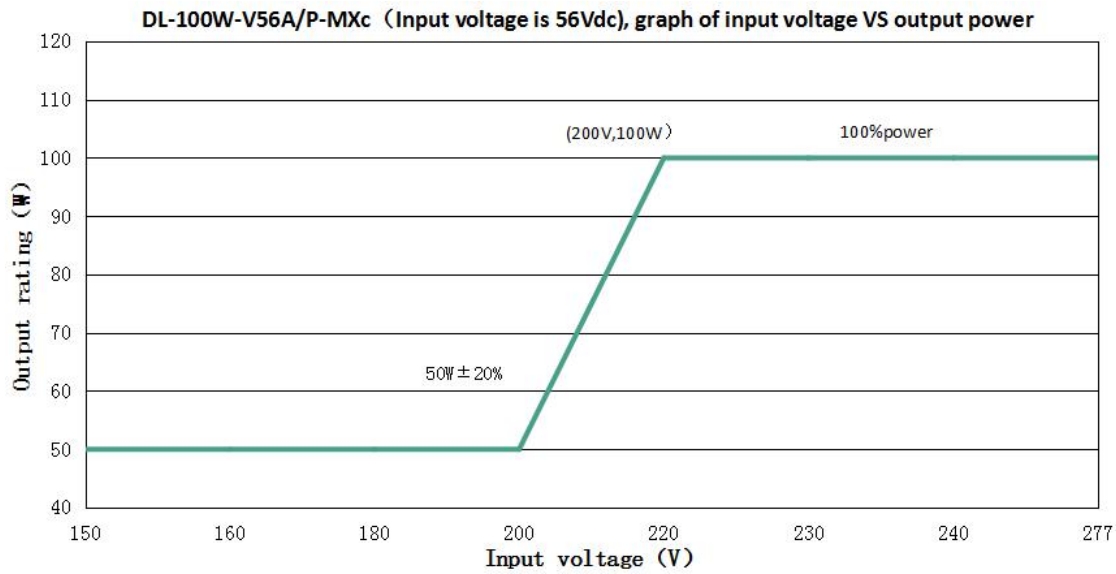


**Inrush Current(DL-100H-P-MXC)**



Input voltage	Peak current	T(@50% Peak current)
200Vac	40.5A	188us
230Vac	47.7A	188us
277Vac	61A	206us

**Output power VS Input voltage**



**DL-100H-56A/P-MXC (When the output voltage is 56Vdc, the rated output current value and output power corresponding to different input voltage)**

Input Voltage	160Vac	180Vac	200Vac	220Vac	230Vac	240Vac	277Vac
sslout	0.9A	0.9A	1.8A	1.8A	1.8A	1.8A	1.8A
Pout	50W	50W	100W	100W	100W	100W	100W

- Note:**
1. Input voltage will fluctuate, resistance error and other factors. At the decrease or increase of power ( $V_{in}=200Vac$ ), it will move left and right, with the range of  $200V \pm 10\%$ .
  2. When the input voltage is 90-200Vac, the output power range is  $50W \pm 20\%$ .

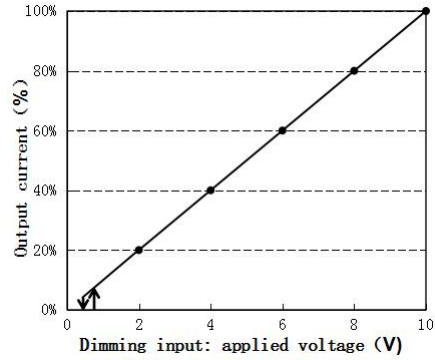
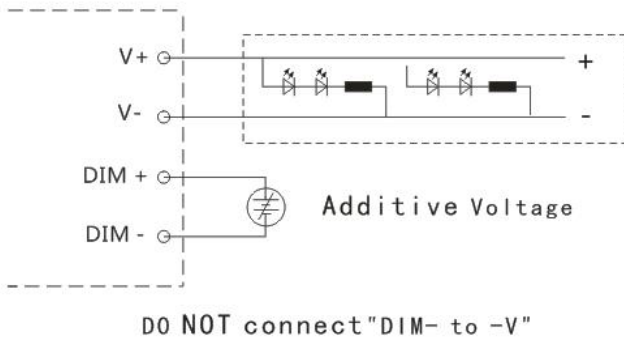
## Dimming operation

### ※ Three-in-one dimming function (P version only)

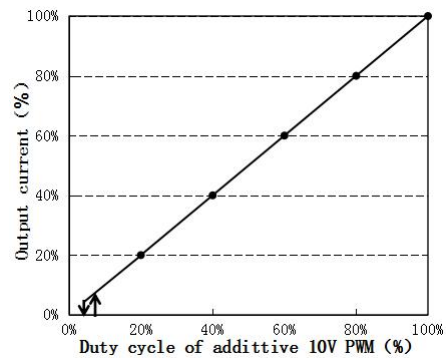
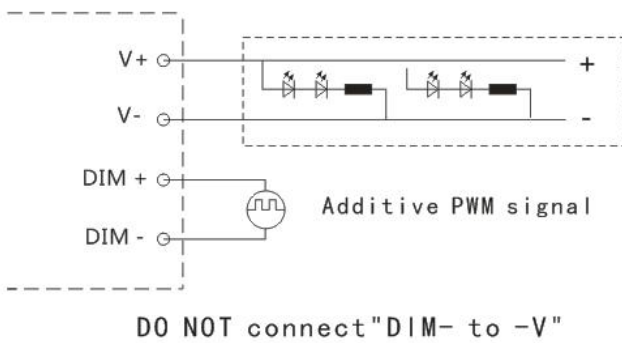
A. connect a resistor 10K-100K or 1-10V DC voltage or 10V PWM signal between DIM+ and DIM- to adjust the output current.

B. output current of dimming port: 100uA (typical value). (to be determined!)

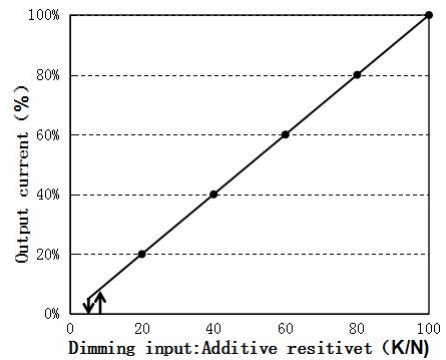
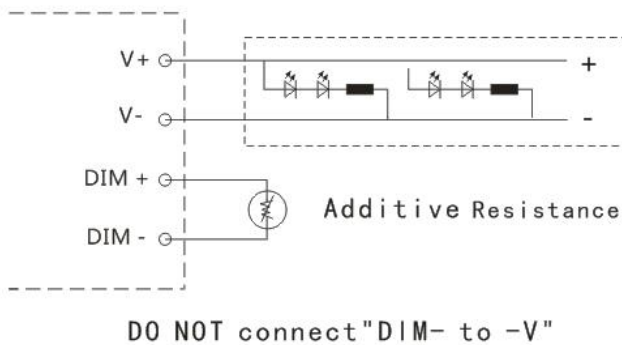
#### ◎ With an applied voltage of 0-10V:



#### ◎ Applying additive 10V PWM signal (Frequency range: 300Hz-2K Hz) :



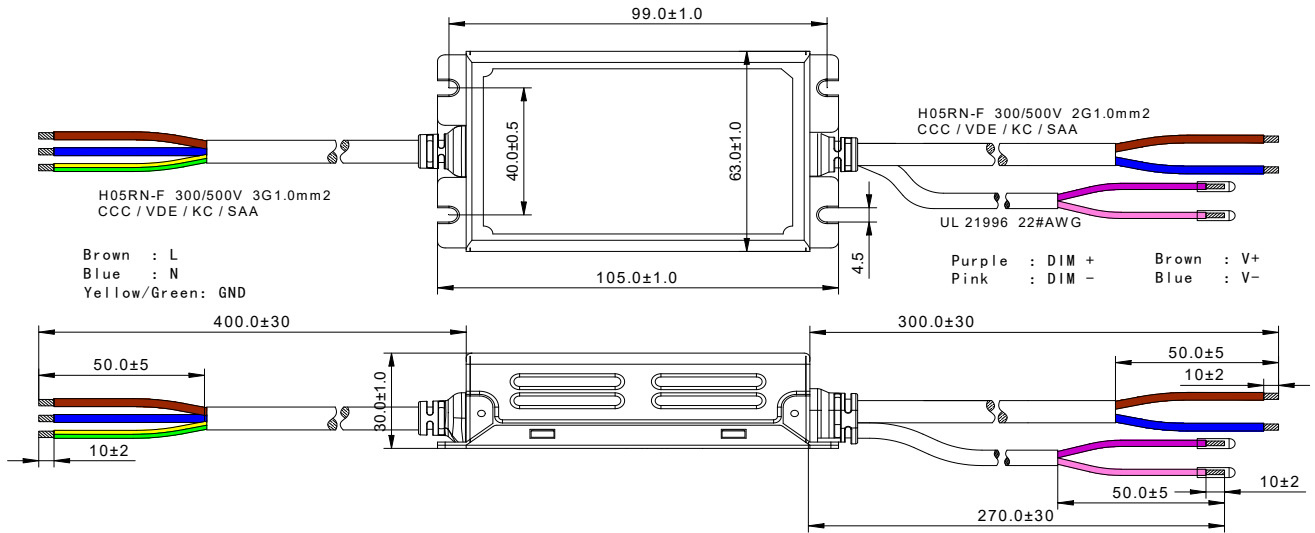
#### ◎ With an additional 10K-100K resistor:



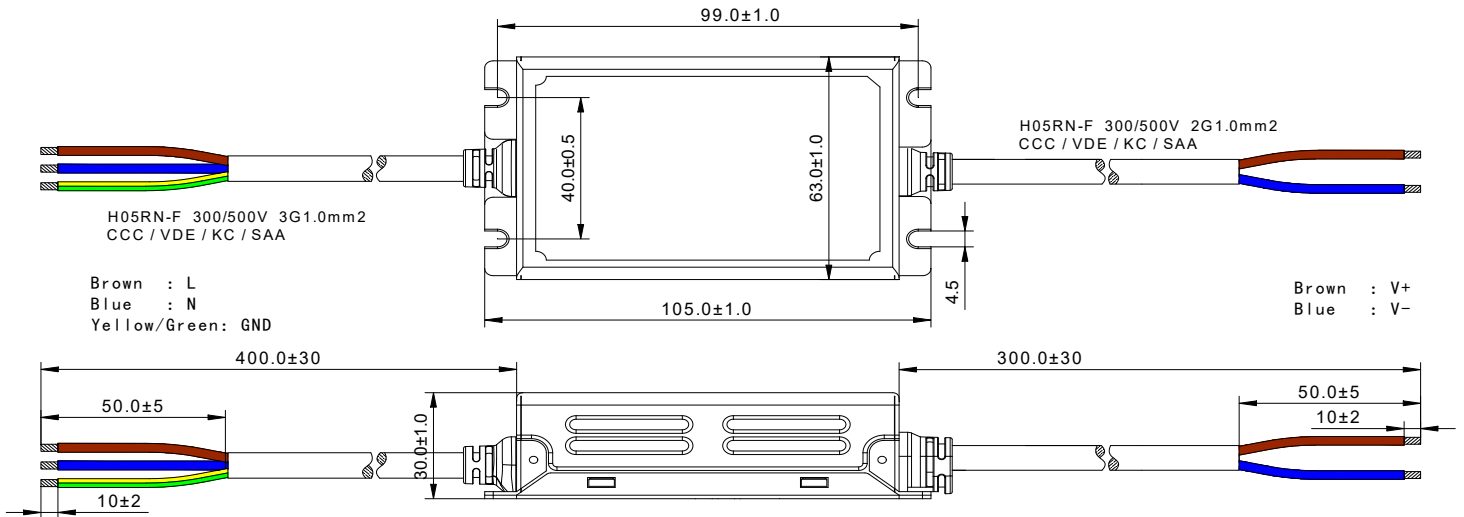
## Mechanical specification

Size (mm) L105\*W63\*H30

### DL-100H-56P-MXC



### DL-100H-56P-MXC



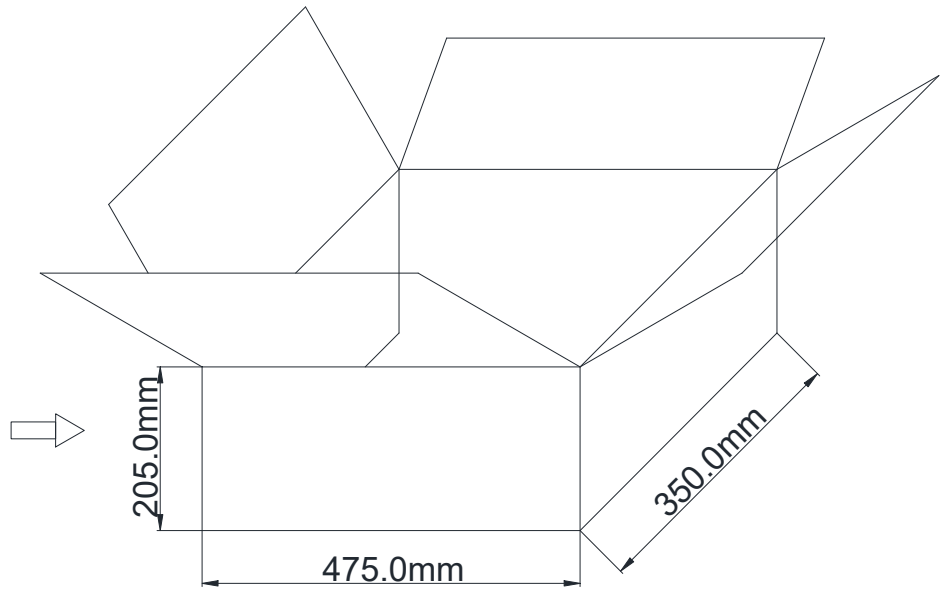
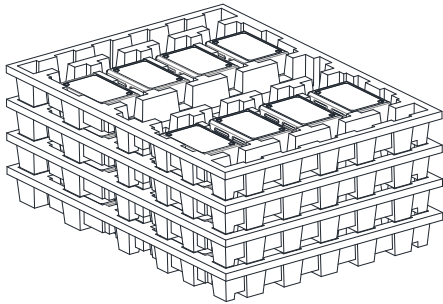
## Weight

Weight 800 g

## Packaging

Packaging (mm)

L475\*W350\*H205



Note: One Carton 4 layers and 8 pcs each layer, total 32pcs/carton.

**Note:**

1. According to the certificate obtained by the LED DRIVER, the LED DRIVER with the English label is sold in Europe, America and India.
2. The LED DRIVER with Chinese label is only used for China market.

## Version

DATE	DESCRIPTION	REV.	CHECK
2023.12.14	Initial version.	V1.0	

### MANUFACTURER

EDIT

CHECK

APPROVE

--	--	--