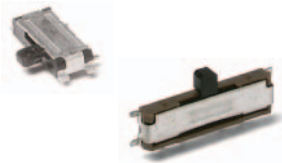


PCM Series Ultraminiature Surface Mount Slide Switches



Features/Benefits

- Ultraminiature surface mount
- Low profile
- SPDT & SP3T models
- RoHS compliant

Typical Applications

- Computer peripherals & network products
- Telecommunication products
- Test & measurement equipment

Specifications

CONTACT RATING: 0.3A @ 6 VDC.
 MECHANICAL LIFE: 10,000 cycles.
 CONTACT RESISTANCE: 70 m Ω max.
 INSULATION RESISTANCE: 100 M Ω min. @ 500V.
 DIELECTRIC STRENGTH: 500 VAC min.
 OPERATING TEMPERATURE: -20°C to +85°C.
 SOLDERABILITY: 255C max. solder temperature.
 PACKAGING: Tape & reel.

Materials

CASE: PA6T
 COVER: Stainless steel.
 SLIDER: Nylon 4/6
 BRUSH: Copper alloy silver clad.
 TERMINALS: Copper alloy, silver plated.

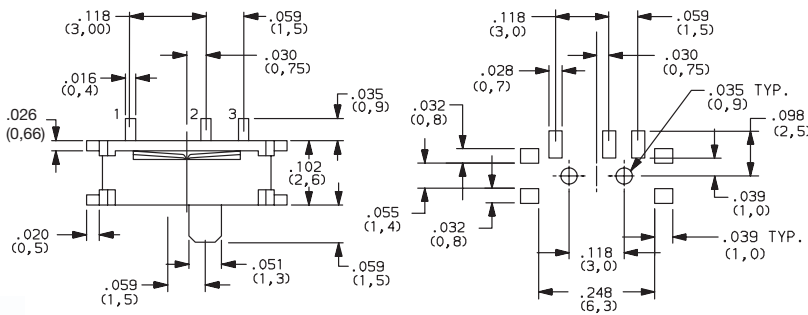
NOTE: All models RoHS compliant and compatible with all options.

NOTE: Specifications and materials listed above are for switches with standard options. For information on specific and custom switches, consult Customer Service Center.

How To Order

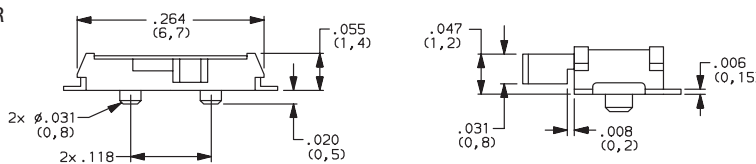
Complete part numbers for PCM Series Ultraminiature Surface Mount Slide Switches are shown below and on page I-45.

PC MOUNTING



PART NUMBER	SWITCH FUNCTION	
	POS. 1	POS. 2
PCM12SMTR	ON	ON
CONN. TERMINALS	1-2	2-3
SCHEMATIC		
SPDT		

PCM12SMTR
SPDT

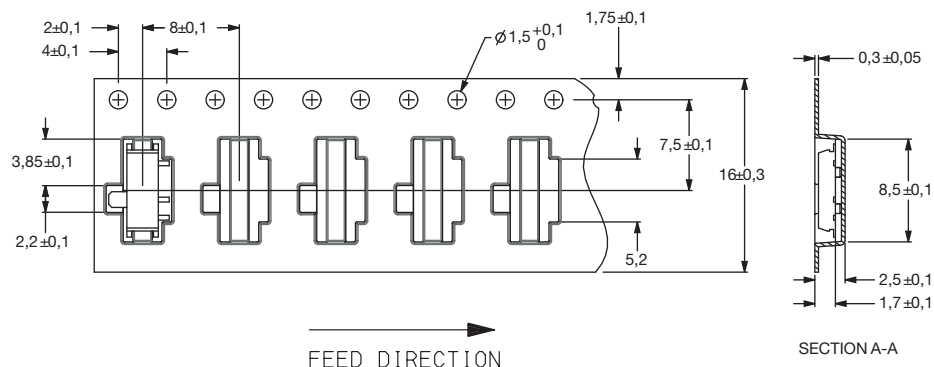


Actuator shown in pos. 2

TAPE & REEL

For part number PCM12SMTR

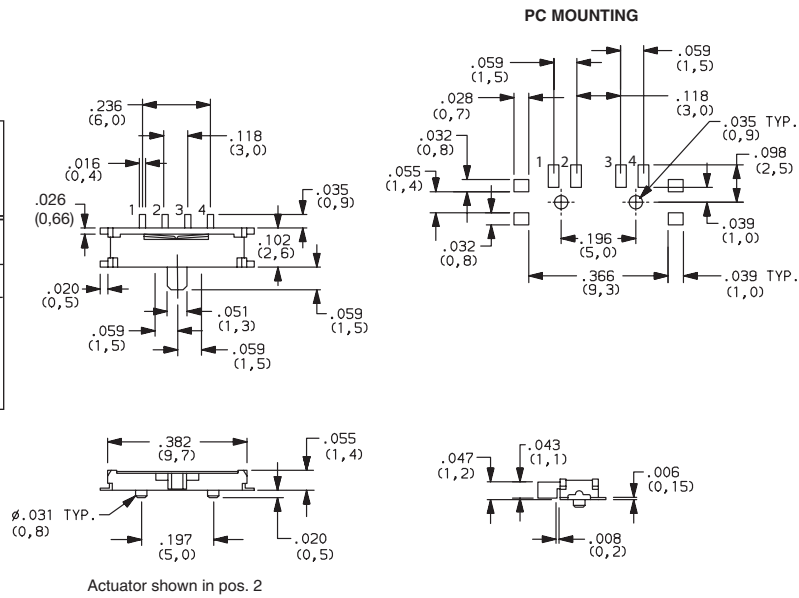
Quantity per reel 3500



Dimensions are shown: Inch (mm)
 Specifications and dimensions subject to change

PCM Series Ultraminiature Surface Mount Slide Switches

PART NUMBER	SWITCH FUNCTION		
	POS. 1	POS. 2	POS. 3
PCM13SMTR	ON	ON	ON
CONN. TERMINALS	1-3	2-3	3-4
SCHEMATIC			
SP3T			



PCM13SMTR
SP3T

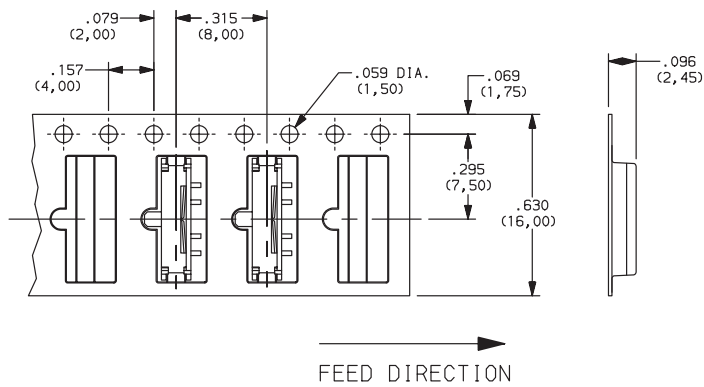


Slide

TAPE & REEL

For part number PCM13SMTR

Quantity per reel 3500



Third Angle
Projection

Dimensions are shown: Inches (mm)
Specifications and dimensions subject to change