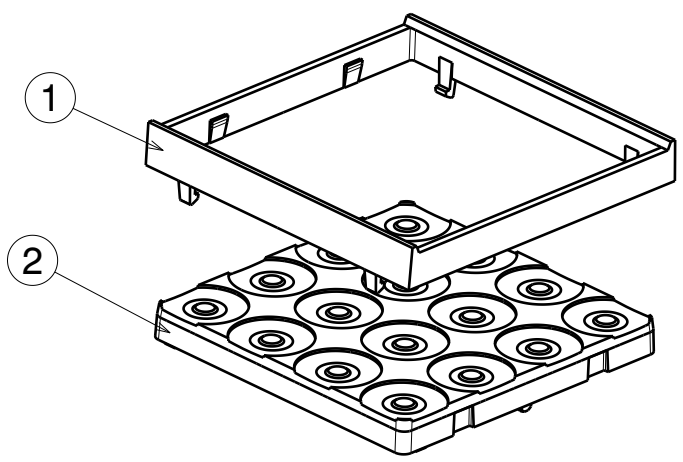
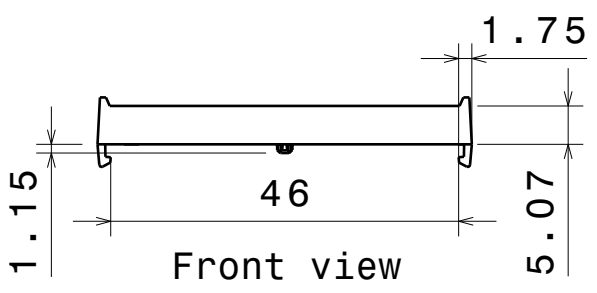


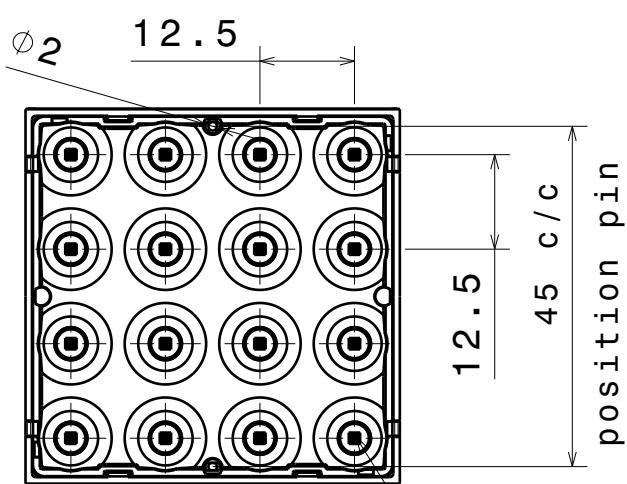
Top view



Isometric view
Scale: 1:1

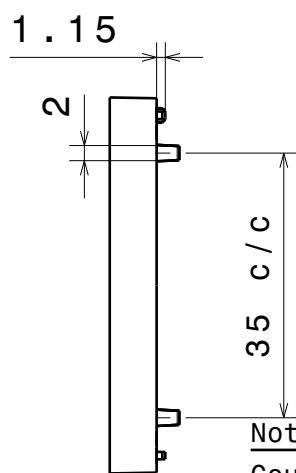


Front view



Bottom view

LED position



Note:
Countersunk screws required for PCB attachment.

INDEX	PART NO	DESCRIPTION	MATERIAL	COLOUR
1	C14537	IDA16-M	PMMA	Clear
2	C14538	IDA16-HLD-16	PC	black

Tolerances if not otherwise shown
According to DIN ISO 2768-1
Linear measures:
up to 30mm class M, otherwise class C
According to DIN ISO 2768-2
Form and position: class L

LEDiL LediL Oy
Salorankatu 10
FIN 24240 SALO
Finland

THIRD ANGLE PROJECTION:

DRAWING TITLE
CP14612_IDA16-M

This drawing is the property of LEDiL Oy. It may not be reproduced, copied or communicated without a written agreement with LEDiL Oy.

SIZE PART NUMBER
A4 CP14612

SCALE 1:1 WEIGHT 7,2 g SHEET 1/1

