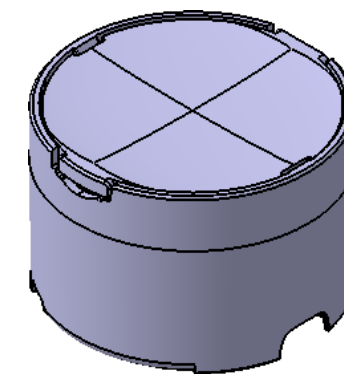
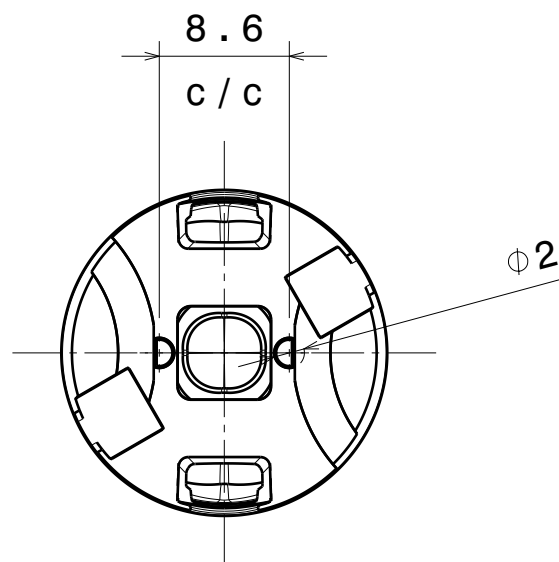
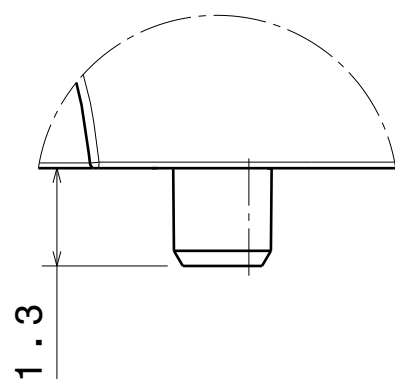


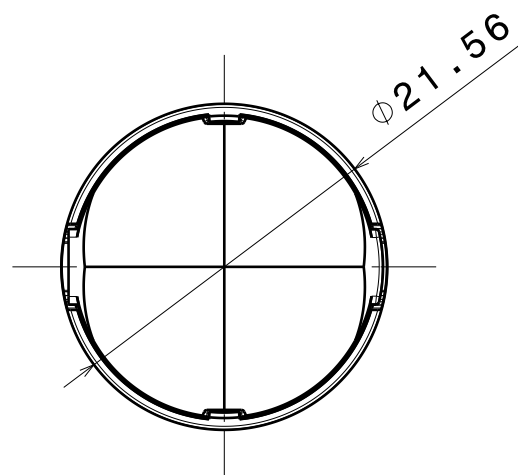
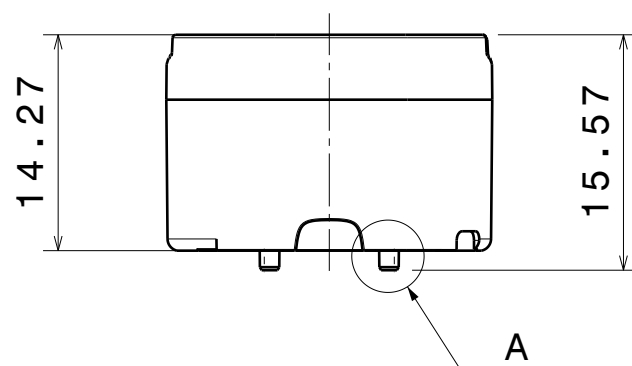
DESCRIPTION	MATERIAL
LENS	PMMA
HOLDER	PC, white



Isometric view  
Scale: 2:1




Detail A  
Scale: 10:1



Tolerances if not otherwise shown:  
According to DIN ISO 2768-1  
Linear measures:  
Up to 30mm class M, otherwise class C.  
According to DIN ISO 2768-2  
Form and position:  
class L

Control for SPC marked dimensions.

Assembly Number	Description	Holder	Lens
CP13069	IRENE-IR-4	C13068	C13063
CP13070	IRENE-IR-8	C13068	C13064
CP13071	IRENE-IR-12	C13068	C13065
CP13072	IRENE-IR-16	C13068	C13066
CP13073	IRENE-IR-25	C13068	C13067

This drawing is our property. It can't be reproduced or communicated without our written agreement.		 Ledil Oy Salorankatu 10 FIN 24240 SALO Finland	
DRAWN BY <b>ls</b>	DATE 06.02.2015	DRAWING TITLE <b>Datasheet</b>	
CHECKED BY	DATE	SIZE <b>A3</b>	DRAWING NUMBER -
DESIGNED BY	DATE	SCALE 2:1	WEIGHT 4,83 g
		SHEET 1/1	REV -