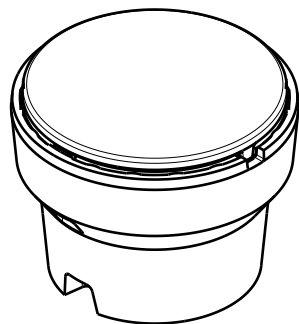


D

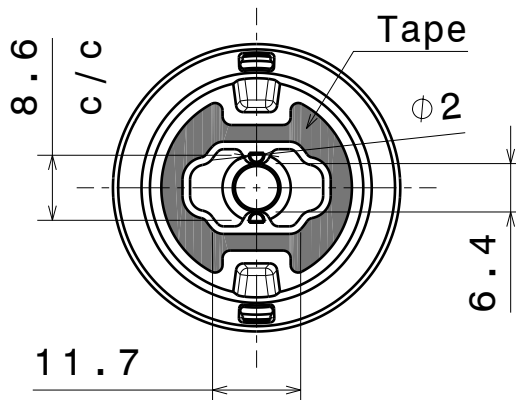
C

B

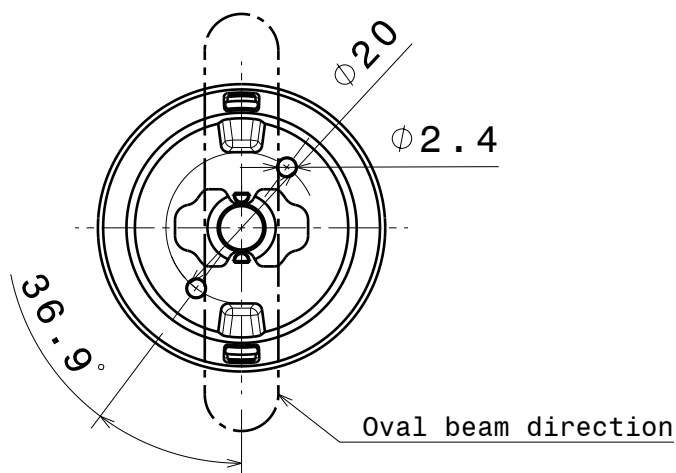
A



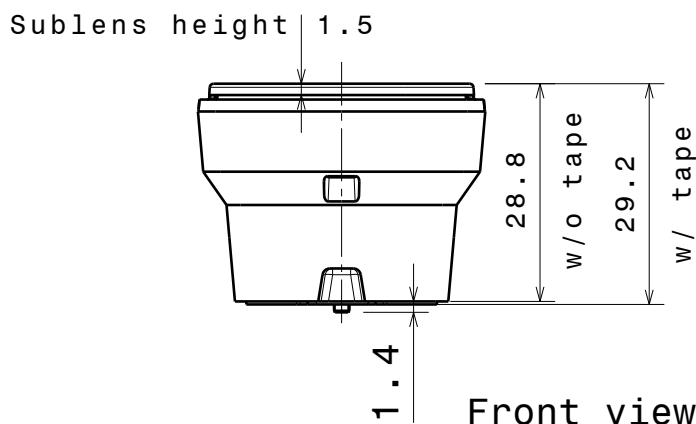
Isometric view



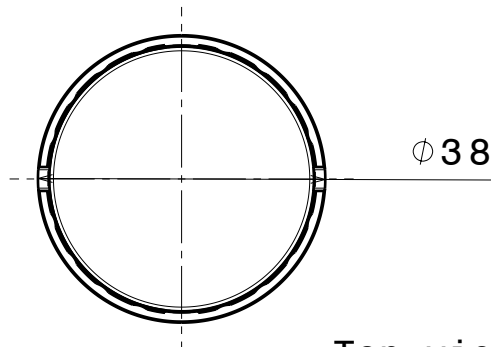
Bottom view



Bottom view without tape



Front view



Top view

Materials

Lens: PMMA
 Sublens: PC
 Holder: PC
 Tape: PU Foam

This drawing is our property.
 It can't be reproduced
 or communicated without
 our written agreement.



Ledil Oy
 Salorankatu 10
 FIN 24240 SALO
 Finland

DRAWING TITLE Mechanical drawing
 IRIS-XM

DRAWN BY as	DATE 17.9.2012
CHECKED BY sn	DATE -
DESIGNED BY -	DATE -

SIZE A4	PART NUMBER	REV 001
SCALE 1:1	WEIGHT -	SHEET 1/1

D

A

4

4

3

3

2

2

1

1