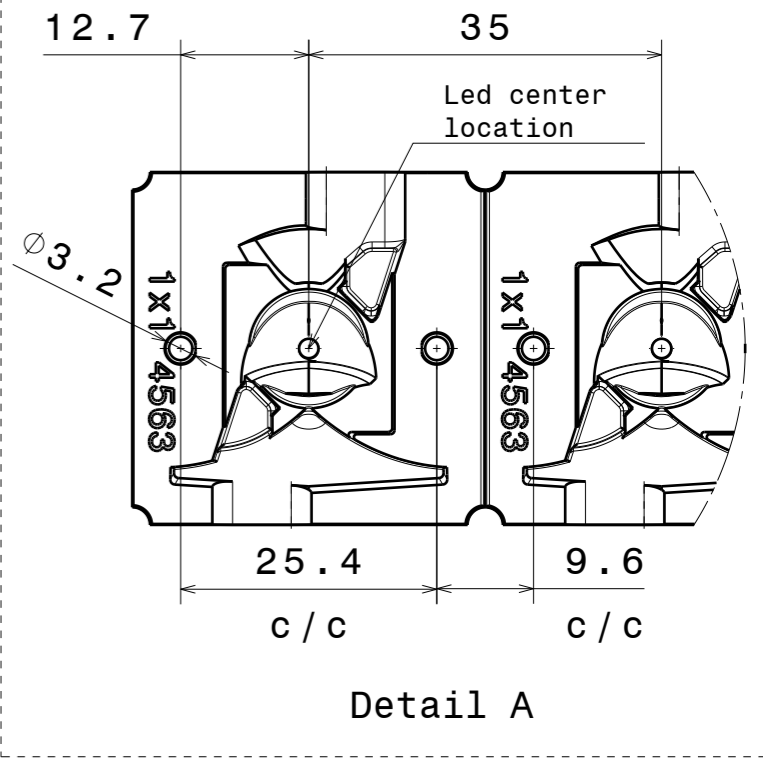
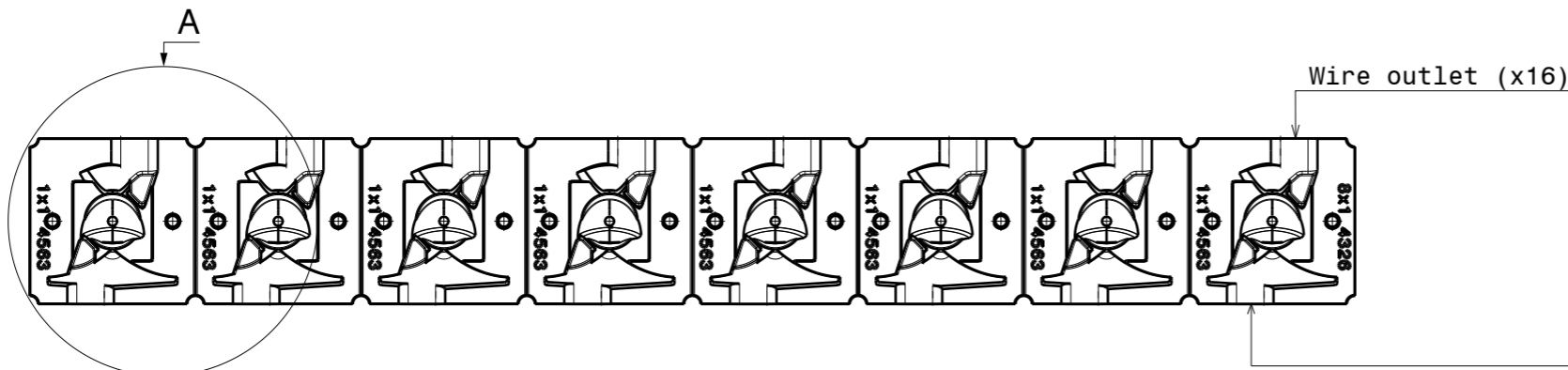
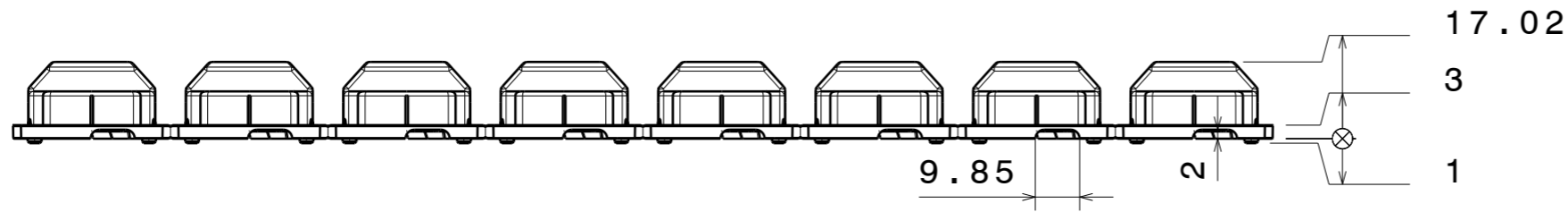


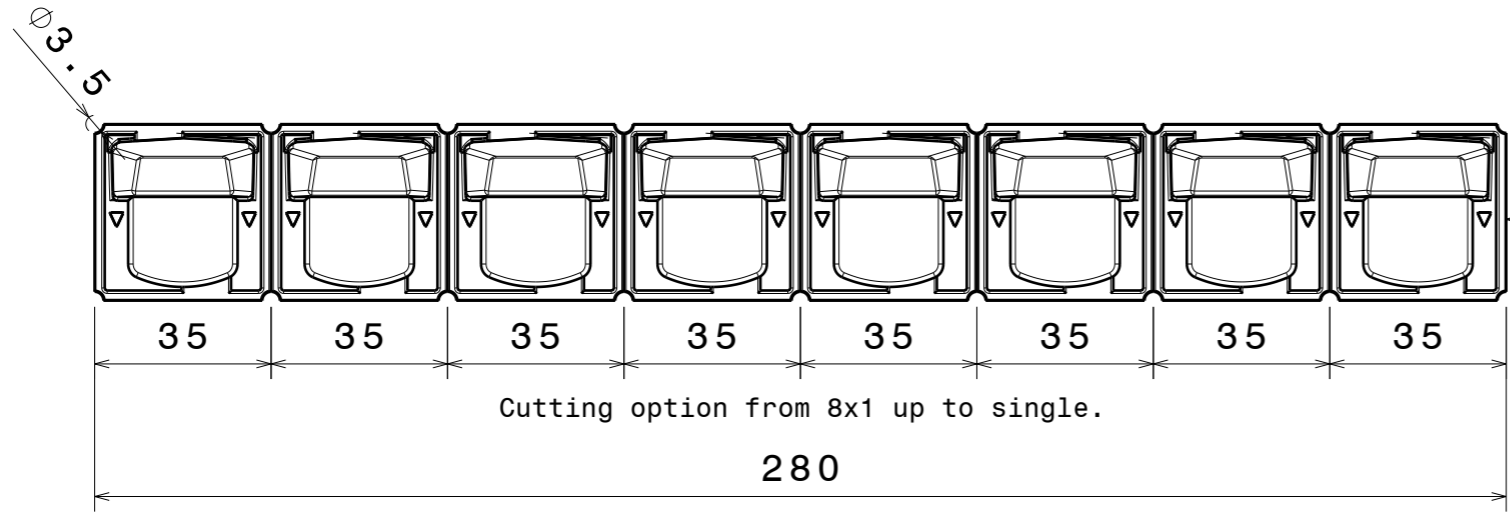
Bottom view



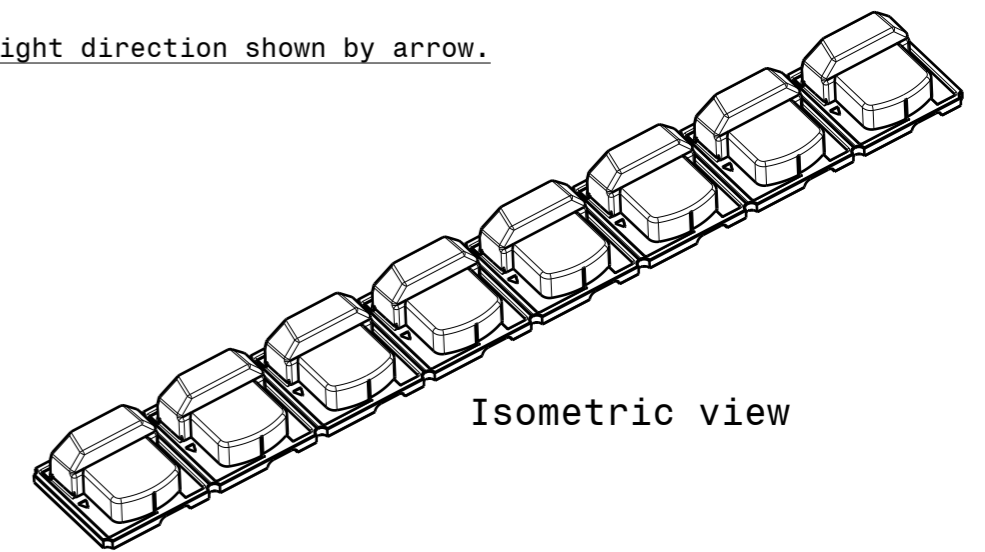
Front view



Top view

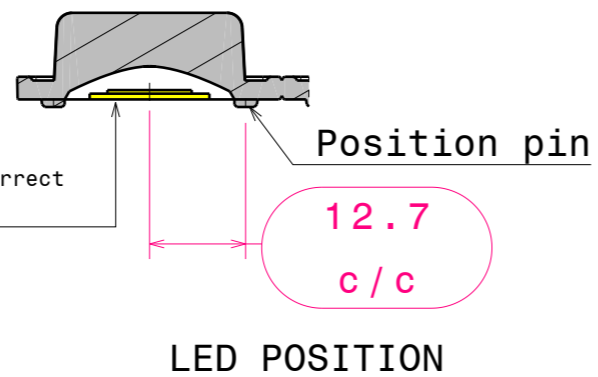


Asymmetric light direction shown by arrow.



Isometric view

When thermal adhesive tape is used, recommended tape thickness up to 0.3mm. When assembling led ensure correct position in relation to lens position pin hole.



INDEX	PART NO	DESCRIPTION	MATERIAL	COLOUR
1	F14326	JENNY-8X1-T4	Optical grade silicon	

Tolerances if not otherwise shown
According to DIN ISO 2768-1
Linear measures: class V
Please note that due to the elasticity of products made of silicone actual measured values may vary, and therefore typical tolerance values may not be applied.

LEDiL LediL Oy
Salorankatu 10
FIN 24240 SALO
Finland

THIRD ANGLE PROJECTION:

DRAWING TITLE
F14326_JENNY-8X1-T4

This drawing is the property of LEDiL Oy. It may not be reproduced, copied or communicated without a written agreement with LEDiL Oy.

SIZE	PART NUMBER
A3	F14326

SCALE	1:1	WEIGHT		SHEET	1/1
-------	-----	--------	--	-------	-----