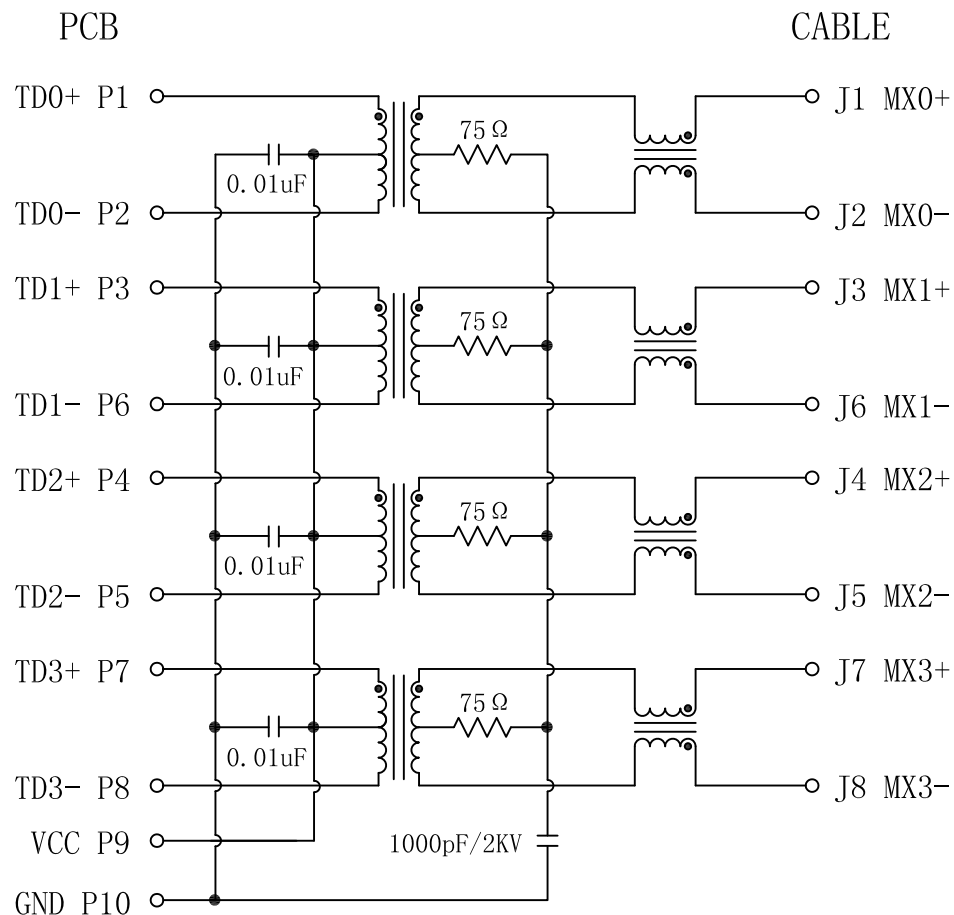


Schematic:

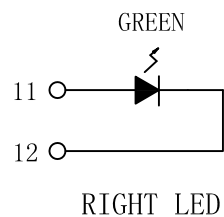
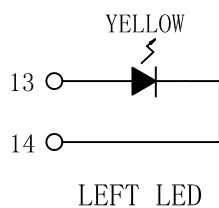
REV.	ECN NO.	DESCRIPTION	DATE	APPD
A	REL		2010/11/13	



Electronics Specifications @25°C

1. TURNS RATIO($\pm 3\%$):
TX=1CT:1CT RX=1CT:1CT
2. OCL: 350uH MIN
@100KHz, 0.1V, 8mADC Bias
3. ISOLATION: 1500Vrms
4. INSERTION LOSS:
-1.1dB MAX @ 1MHz TO 100MHz
5. RETURN LOSS:
-18dB MIN @ 1MHz TO 40MHz
-14dB MIN @ 60MHz
-12dB MIN @ 80MHz
-10dB MIN @ 100MHz
6. CROSS TALK:
-35dB TYP @ 1MHz TO 100MHz
7. CMR:
-50dB TYP @ 0.1MHz TO 30MHz
-40dB TYP @ 30MHz TO 60MHz
-35dB TYP @ 60MHz TO 100MHz
8. OPERATING TEMPERATURE RANGE: 0°C ~ +70°C.

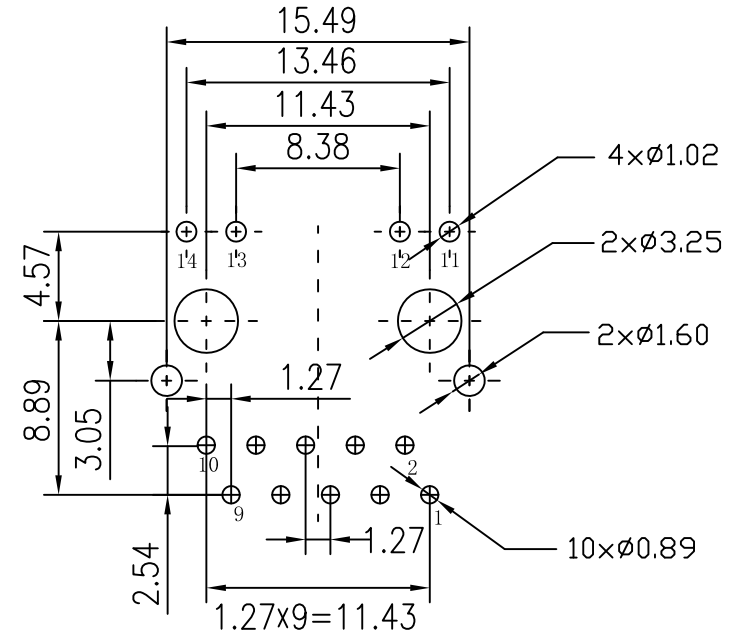
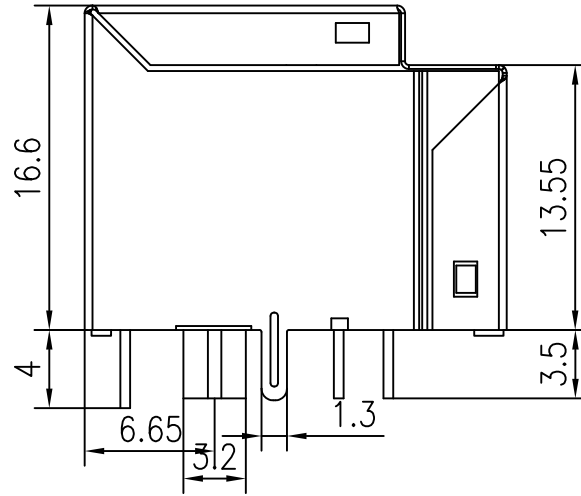
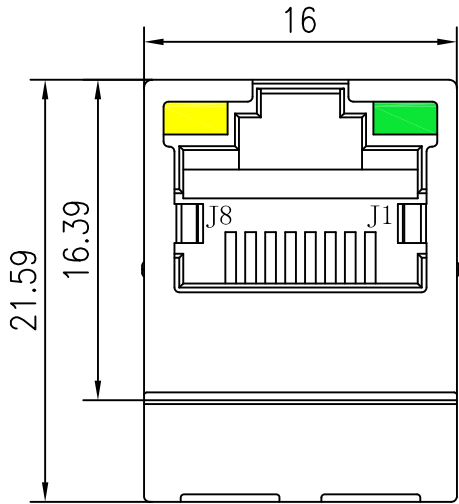
Emitting Color	λ p(nm)	VF@IF=20mA	IR @VR=5V
GREEN	565	1.8~2.6V	10 μ A max
YELLOW	585	1.8~2.6V	10 μ A max



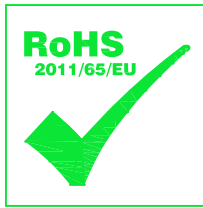
X:X	± 0.30	APPD:	LINK-PP INT'L TECHNOLOGY CO., LIMITED
X:XX	± 0.25	CHKD:	
X:XXX	± 0.05	DR: TOM	TITLE: Vertical RJ45 Connector With 1000 Magnetic
ANGLES	$\pm 1^\circ$	UNIT: mm	PART NO.: LPJD0713BDNL
	SCALE: 2/1	SHEET: 1/2	REV: A
			LP10111320

Mechanical :

REV.	ECN NO.	DESCRIPTION	DATE	APPD
A	REL		2010/11/13	

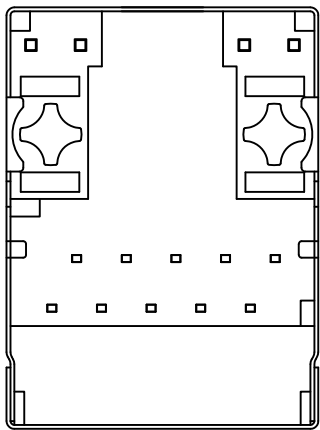


SUGGESTED PCB LAYOUT (TOP VIEW)



NOTES:

1. Designed to support application, such as SOHO (ADSL modems), LAN-on Motherboard (LOM), hub and Switches.
2. Meets IEEE 802.3 specification
3. Connector Materials:
 Housing Material: Thermoplastic PBT+30%G.F UL94V-0
 Contact Material: Phosphor Bronze C5210R-EH Thickness=0.35mm
 Pins: Brass C2680R-H Thickness=0.35mm
 Shield: Copper alloy Brass H65Y Thickness=0.2mm
 Contact plating: Gold 6 micro-inches Min. In contact area.
4. Wave solder tip temperature: 265°C Max, 5 Sec Max



X:X	±0.30	APPD:	LINK-PP INT'L TECHNOLOGY CO., LIMITED
X:XX	±0.25	CHKD:	
X:XXX	±0.05	DR: TOM	TITLE: Vertical RJ45 Connector With 1000 Magnetic
ANGLES	±1°	UNIT: mm	PART NO.: LPJD0713BDNL
	SCALE: 2/1	SHEET: 2/2	REV: A DWG NO.: LP10111320