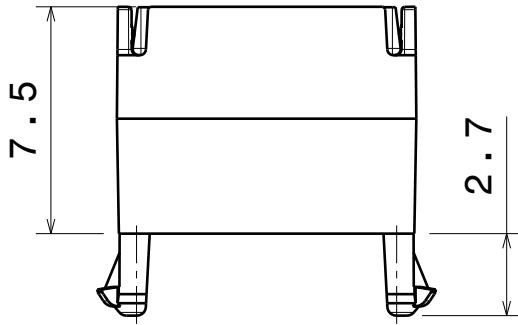
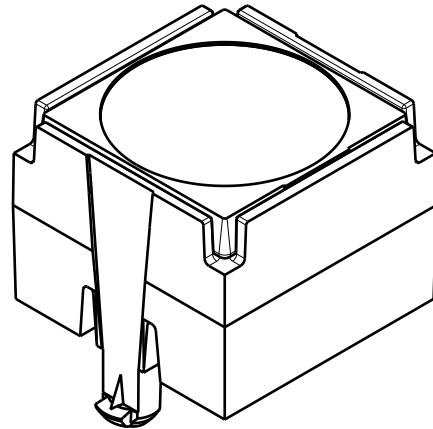


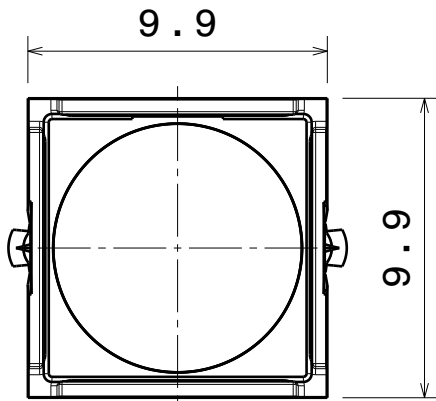
Designed for the following pin hole dimensions:
 Hole diameter 1.95mm
 Hole distance 8.6mm
 PCB thickness 1.6mm



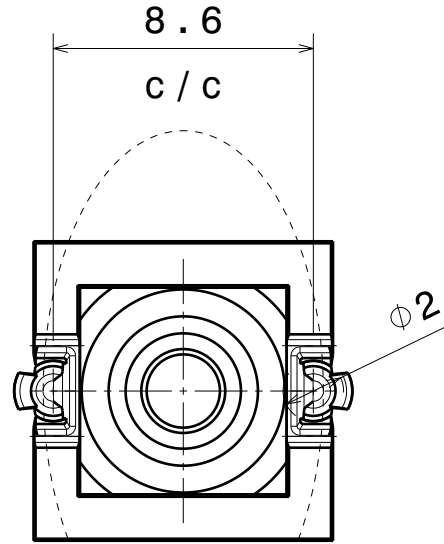
Front view



Isometric view
 Scale: 4:1



Top view



Bottom view

Oval beam direction

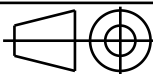
INDEX	PART NO	DESCRIPTION	MATERIAL	COLOUR
1	-	LARISA lens	PMMA	
2	C12908	LARISA-HOLDER-CLIP16	PC	black

Tolerances if not otherwise shown
 According to DIN ISO 2768-1
 Linear measures:
 Up to 30mm class M, otherwise class C.
 According to DIN ISO 2768-2
 Form and position: class L

LEDiL

Ledil Oy
 Salorankatu 10
 FIN 24240 SALO
 Finland

THIRD ANGLE PROJECTION:



DRAWING TITLE

LARISA-CLIP16 series

This drawing is the property
 of LEDiL Oy. It may not be
 reproduced, copied or
 communicated without a written
 agreement with LEDiL Oy.

SIZE PART NUMBER

A4

-

SCALE 4:1 WEIGHT 0,6 g SHEET 1/1

D

A