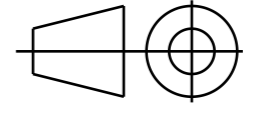


INDEX	PART	TYPE	MATERIAL	COLOR / COATING
1	C11971_LAURA-HLD-N19-BLK	HOLDER	PC	BLACK
2	C11765_Laura-WW	LENS	PMMA	CLEAR
3	C10278_ROSE-TAPE	TAPE	PU FOAM	BLACK

MECHANICAL DRAWING		LEDiL®
PRODUCT CA11978_LAURA-WW		
Plastic moulding general tolerances according to DIN 16901-130 and applies if not otherwise shown in the drawing. Silicone moulding general tolerances according to ISO 3302-1 Class M3 and applies if not otherwise shown in the drawing.	FIRST ANGLE PROJECTION: 	This drawing is the property of LEDiL Oy. It may not be copied or otherwise distributed without prior written permission from LEDiL Oy.
SCALE 2:1	WEIGHT -	A3 SHEET 1/1

Notes

LED location
Ensure LED fitting from a product specific 3D model available from www.ledil.com
For more details about installation please see LEDiL Installation Guide on www.ledil.com