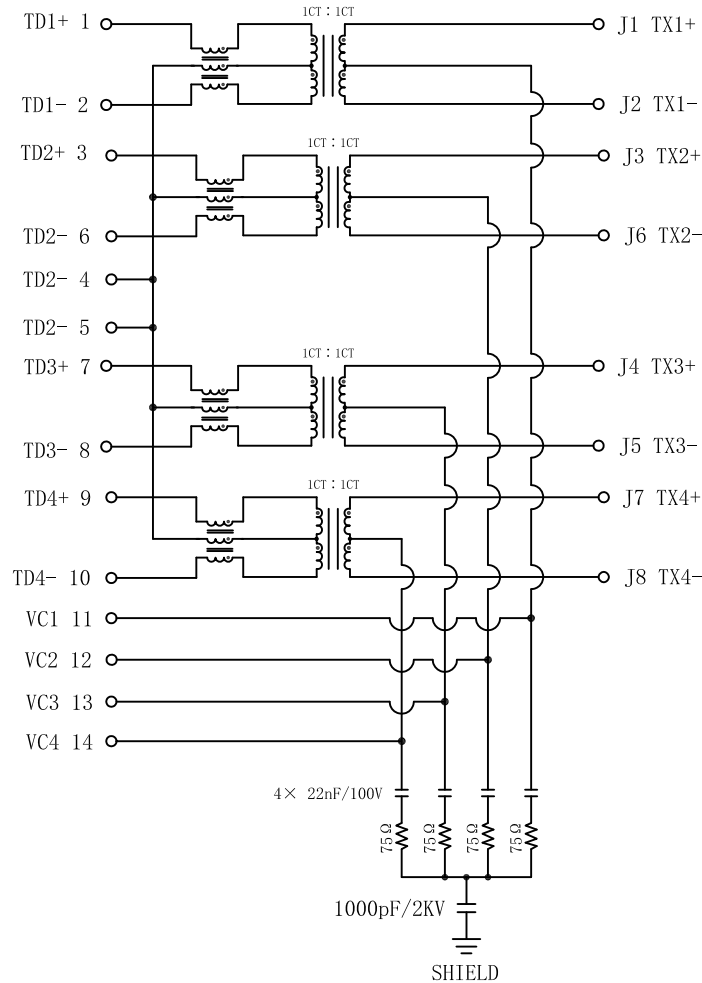


Schematic:

REV.	ECN NO.	DESCRIPTION	DATE	APPD
A	REL		2018-02-26	

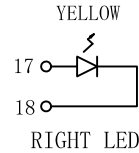
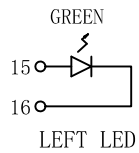
PC BOARD CONNECTIONS



RJ45 CONNECTOR

ELECTRICAL SPECIFICATIONS @25°C

- Turn Ratio ($\pm 5\%$):
Pri : Sec = 1CT : 1CT
- Inductance OCL:
350uH MIN @100KHz/0.1V, 8mA DC Bias
120uH MIN @100KHz/0.1V, 18mA DC Bias
- Insertion Loss:
-1.0dB MAX @ 1-100MHz
-1.2dB MAX @ 100-125MHz
- Return Loss:
-16dB MIN @ 1-40MHz
-12dB MIN @ 40-60MHz
-10dB MIN @ 60-80MHz
-8dB MIN @ 80-100MHz
- Cross talk:
-30dB MIN @ 1-100MHz
- Common to Common Mode Rejection:
-30dB MIN @ 1-100MHz
- DC Current/Voltage Rating pse Pins:
600mA MAX@54VDC (Continuous)
- Hipot Test: 1500Vrms MIN
- Operating Temperature: 0°C TO 70°C.



Emitting Color	λ p(nm)	VF@IF=20mA	IR @VR=5V
GREEN	565	1.8~2.6V	10 μ A max
YELLOW	585	1.8~2.6V	10 μ A max



X:X	± 0.25	APPD:	LINK-PP INT'L TECHNOLOGY CO., LIMITED	
X:XX	± 0.20	CHKD:	TITLE: RJ45 Connector with 1000 Base-T Integrated Magnetics For PoE+ Application	
X:XXX	± 0.05	DR: TOM	PART NO.: LPJG0926HENL	
ANGLES	$\pm 1^\circ$	UNIT: mm	DWG NO.: LP18022610	
		SCALE: 2/1	SHEET: 1/2	REV: A

