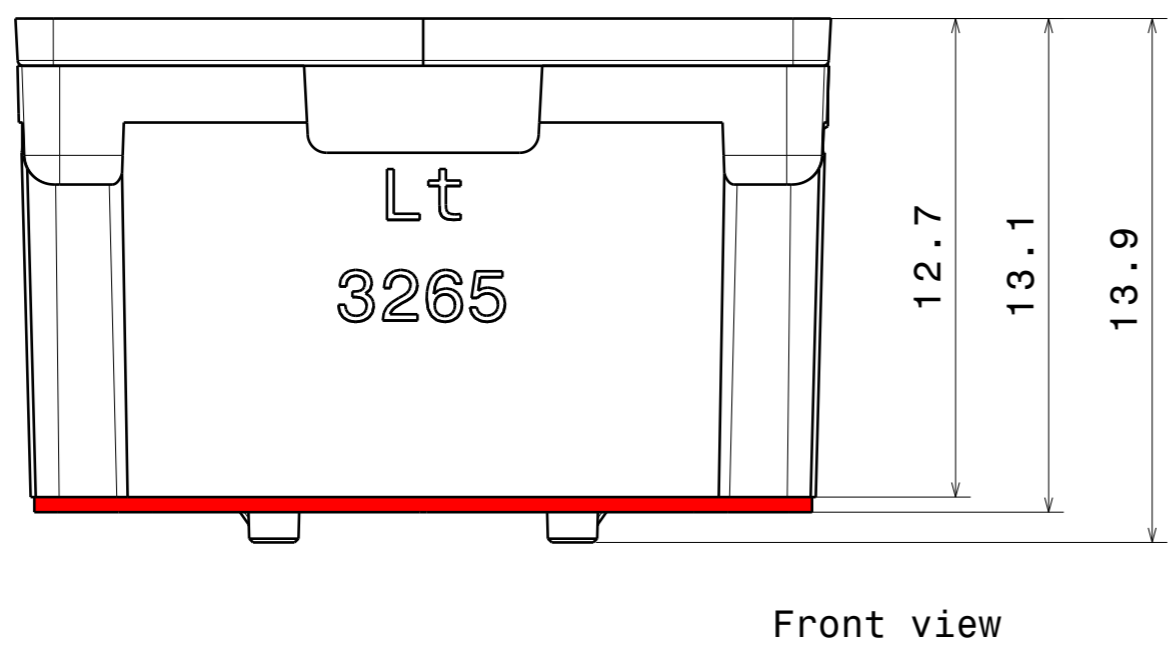
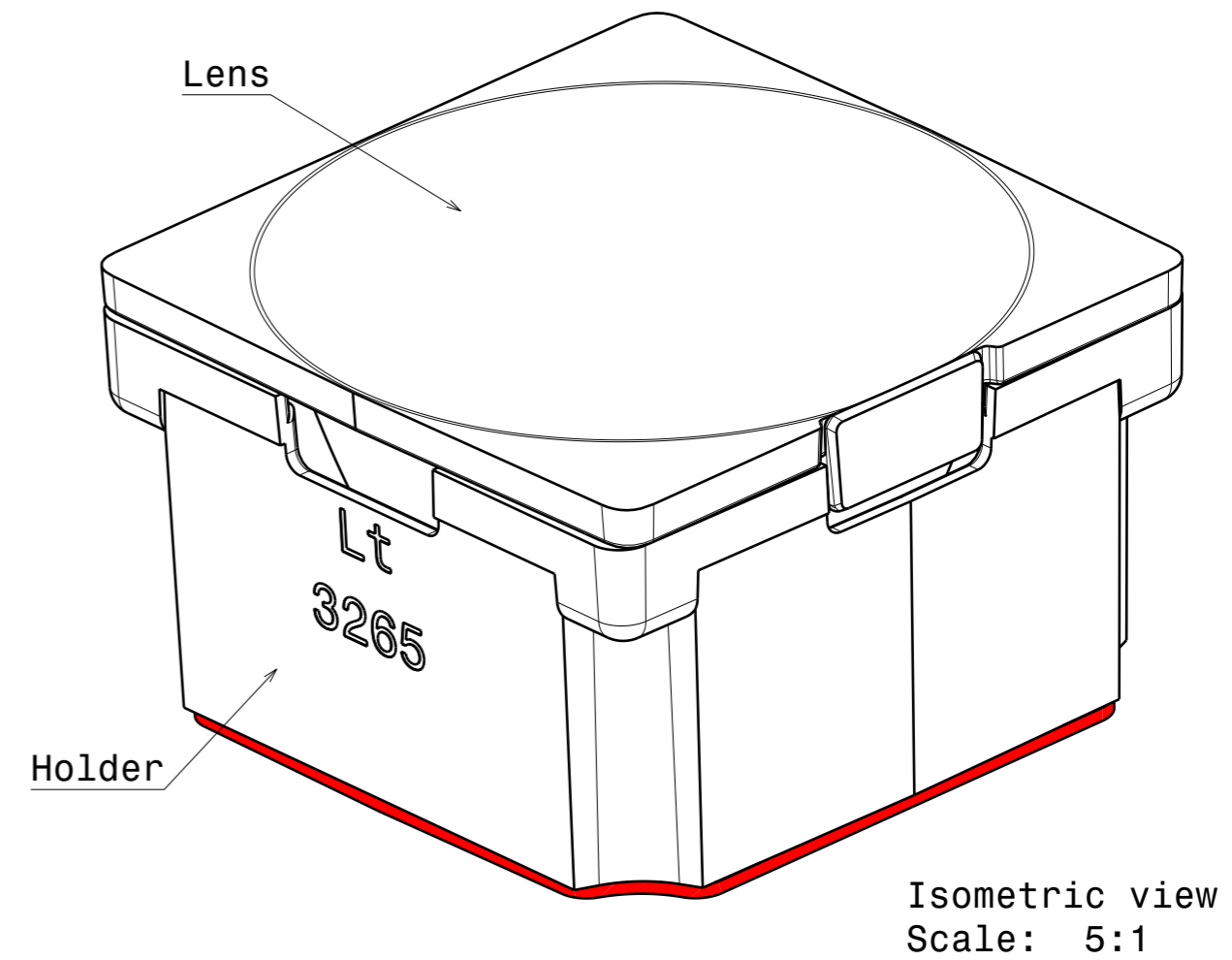
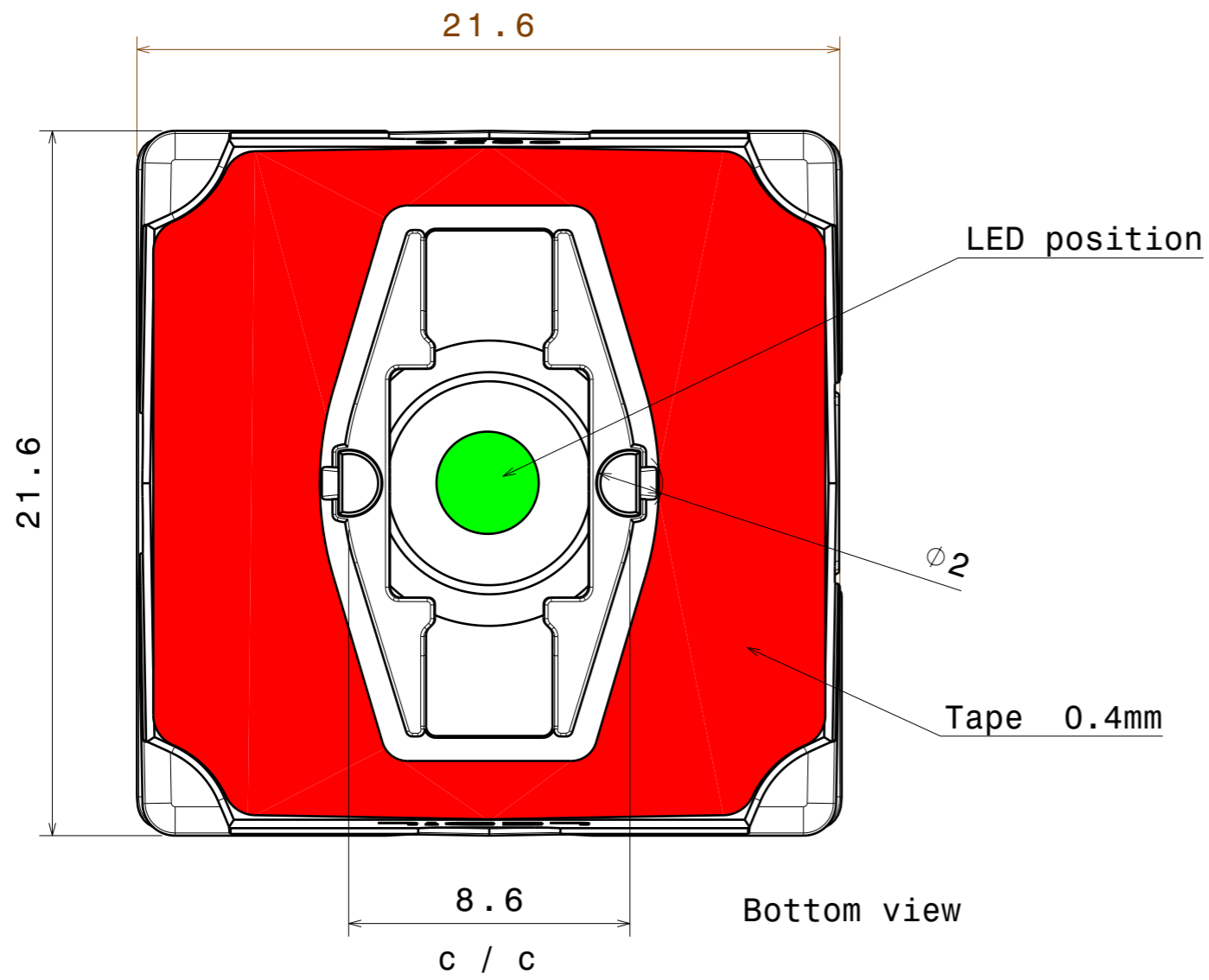


H G F E D C B A



COMPONENTS

CA13634_G2-LAURA-W-P_

INDEX	PART	TYPE	MATERIAL	COLOR / COATING
1	C10278_ROSE-TAPE		Tape	
2	C12342_LAURA-W		PMMA	
3	C13265_LAURA-Lt-PIN-XP-HLD-WHT			white

MECHANICAL DRAWING		LEDiL®
PRODUCT	LAURA	
Plastic molding general tolerances are based on DIN 16901-130 and applies if not otherwise shown in drawing. Silicone molding general tolerances are based on ISO 3302-1 Class M3 and applies if not otherwise shown in the drawing.	FIRST ANGLE PROJECTION: 	This drawing is the property of LEDiL Oy. It may not be reproduced, copied or communicated without a written agreement with LEDiL Oy.
SCALE	5:1	A3 SHEET 1/1
WEIGHT	-	

Notes

- PCB or heatsink level.
- LED location.

Ensure LED fitting from a product specific 3D model available from www.ledil.com.

H G B A