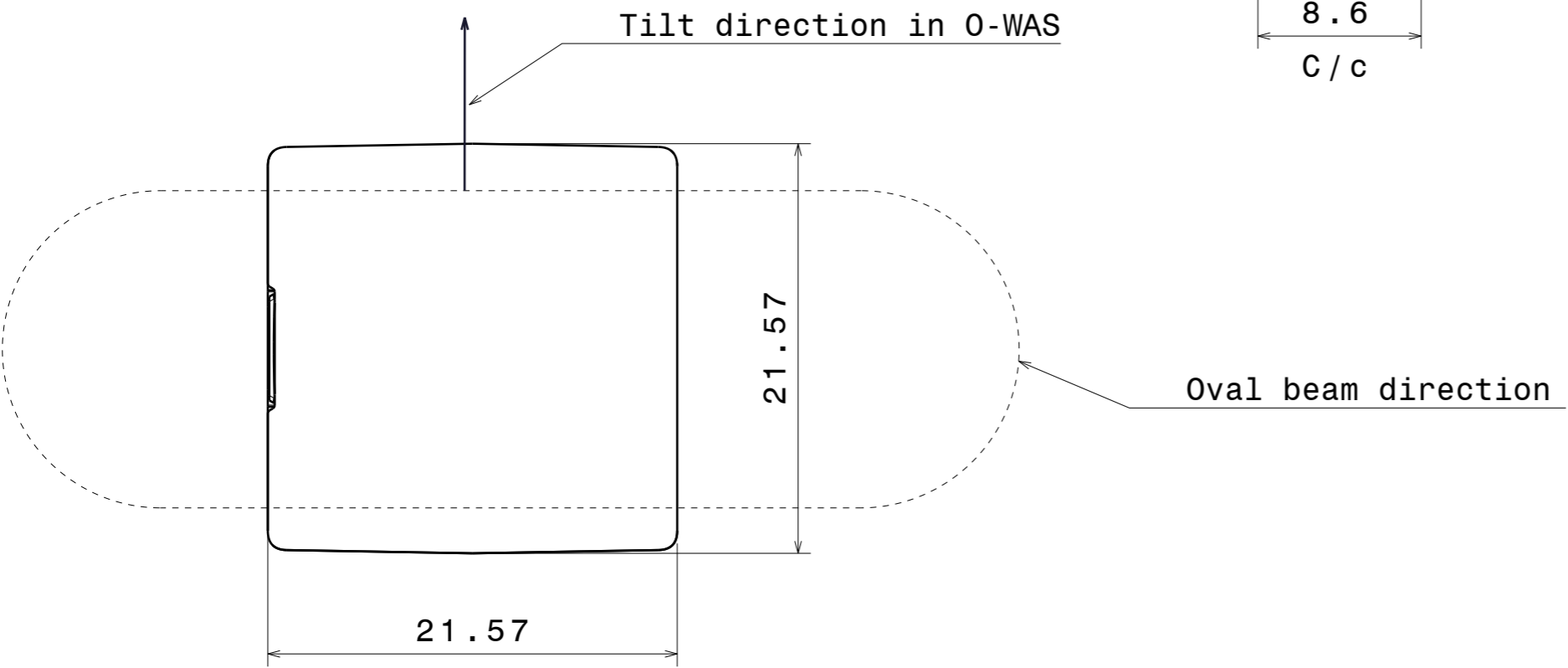
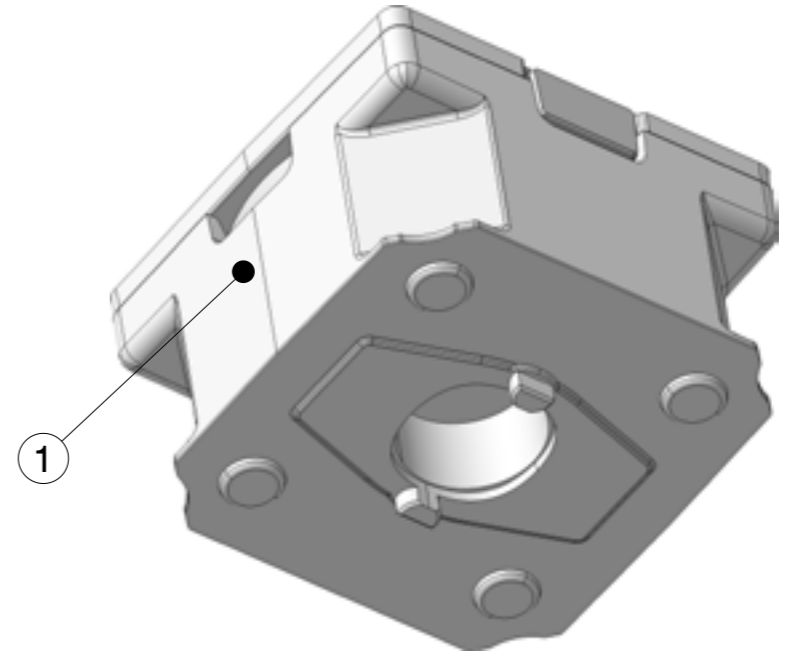
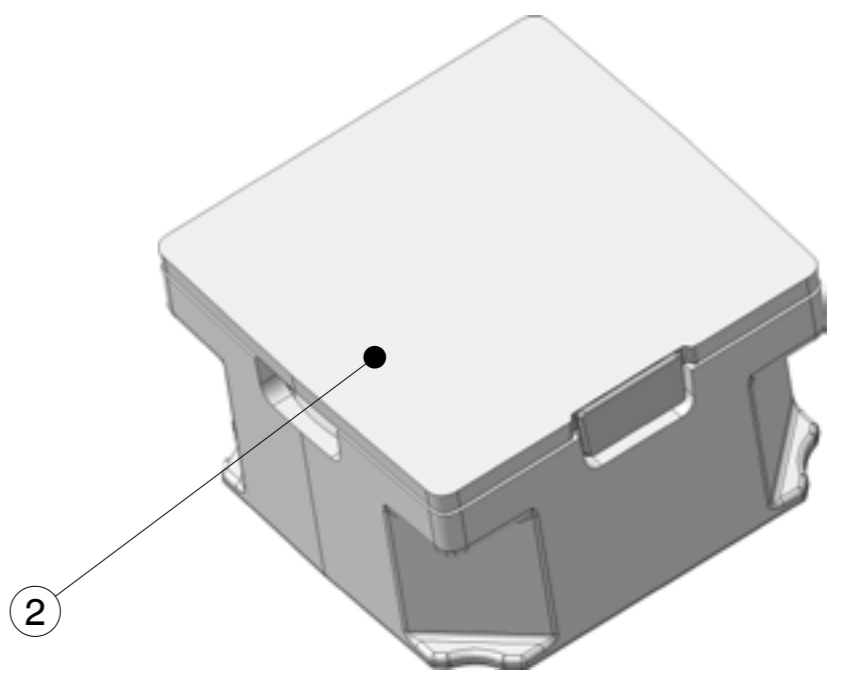
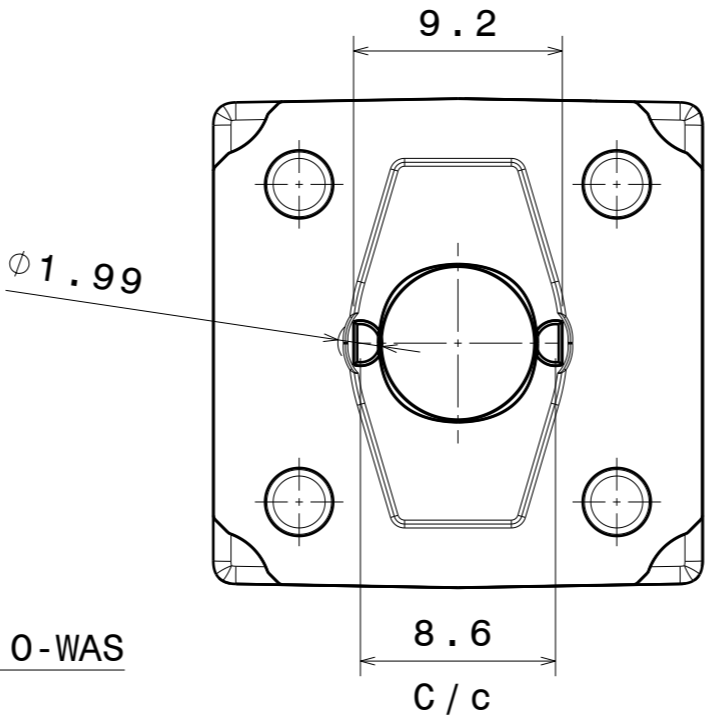
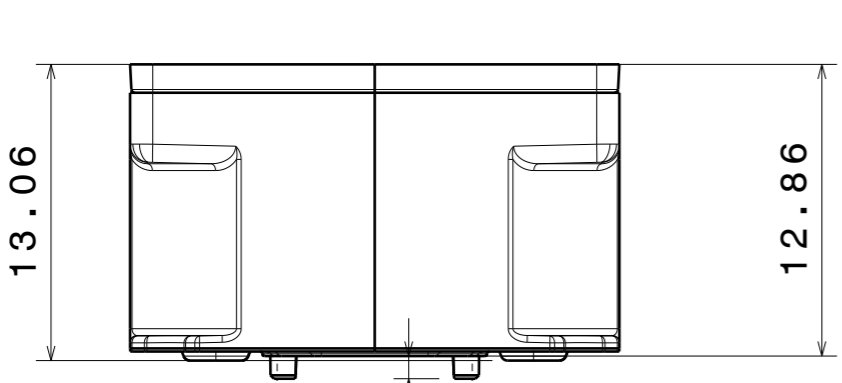


H G F E D C B A



INDEX	PART NO	DESCRIPTION
1	C12467	LAURA-HLD-PIN
2	-	LAURA-Lens

**This drawing applies to:**

CP12631_LAURA-RS-PG
CP12632_LAURA-D-PG
CP12633_LAURA-M-PG
CP12634_LAURA-SS-PG
CP12635_LAURA-O-PG
CP12636_LAURA-W-PG
CP12637_LAURA-WW-PG
CP13308_LAURA-O-WAS-PG
CP13311_LAURA-SS-WAS-PG

Tolerances if not otherwise shown  
According to DIN ISO 2768-1  
Linear measures:  
Up to 30mm class M, otherwise class C.  
According to DIN ISO 2768-2  
Form and position: class L

THIRD ANGLE PROJECTION:

This drawing is the property of LEDiL Oy. It may not be reproduced, copied or communicated without a written agreement with LEDiL Oy."

<b>LEDiL</b>	Ledil Oy Salorankatu 10 FIN 24240 SALO Finland		
	<b>DRAWING TITLE</b> Datasheet_LAURA-PG		
<b>SIZE</b> A3	<b>PART NUMBER</b> Assembly		
<b>SCALE</b> 3:1	<b>WEIGHT</b> (g)	<b>SHEET</b> 1/1	

H G B A