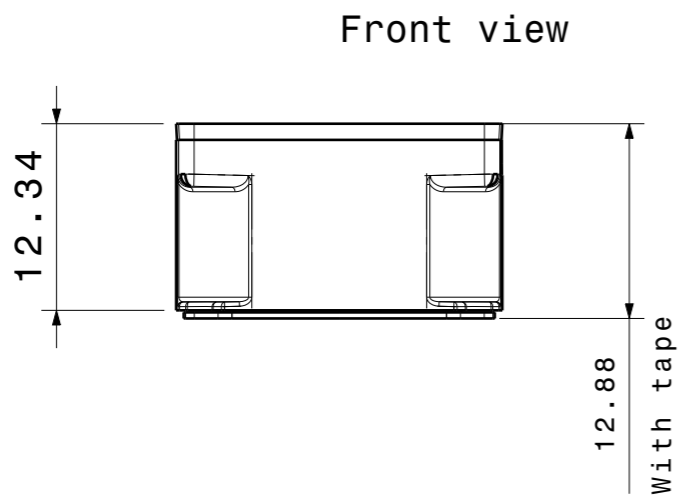
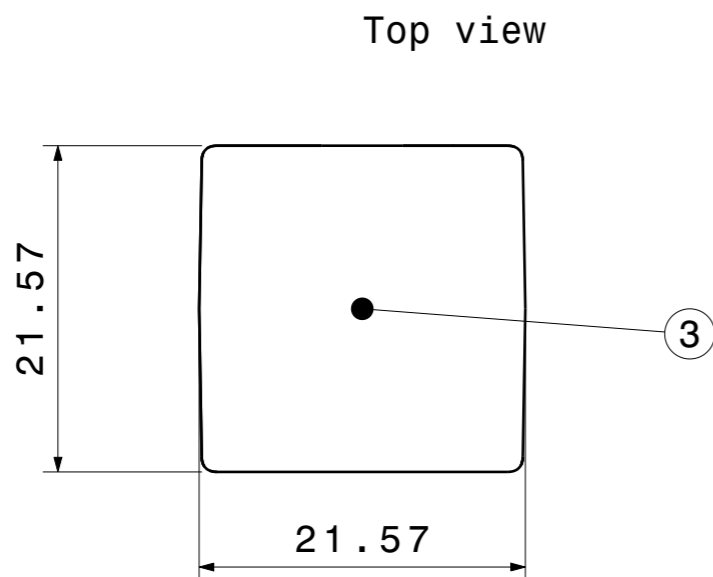


Bottom view



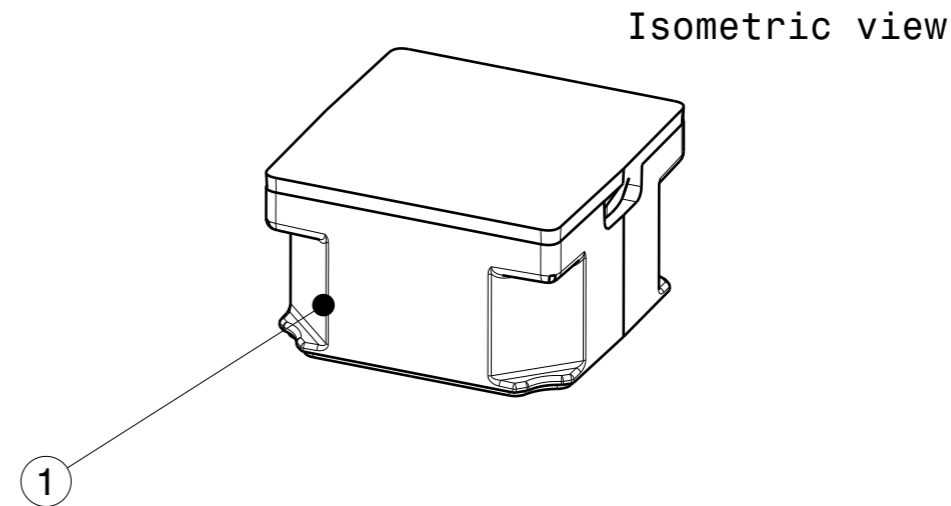
Front view



Top view

Notes

Ensure LED fitting from a product specific 3D model available from www.ledil.com
For more details about installation please see LEDiL Installation Guide on www.ledil.com



Isometric view

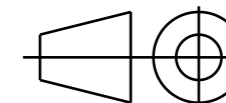
| INDEX | PART | TYPE | MATERIAL | COLOR / COATING |
|-------|-----------------------------------|------|----------|-----------------|
| 1 | C10358_ROSE-HLD-RE-WHT_mechmodel_ | HLD | PC | WHITE |
| 2 | C10278_ROSE-TAPE | TAPE | SCAPA | BLACK |
| 3 | C11642_LAURA-SS | LENS | PMMA | CLEAR |

MECHANICAL DRAWING

PRODUCT
LAURA

Plastic moulding general tolerances according to DIN 16901-130 and applies if not otherwise shown in the drawing.
Silicone moulding general tolerances according to ISO 3302-1 Class M3 and applies if not otherwise shown in the drawing.

FIRST ANGLE PROJECTION:



LEDiL®

This drawing is the property of LEDiL Oy. It may not be copied or otherwise distributed without prior written permission from LEDiL Oy.

SCALE 2:1

WEIGHT -

A3 SHEET 1/1