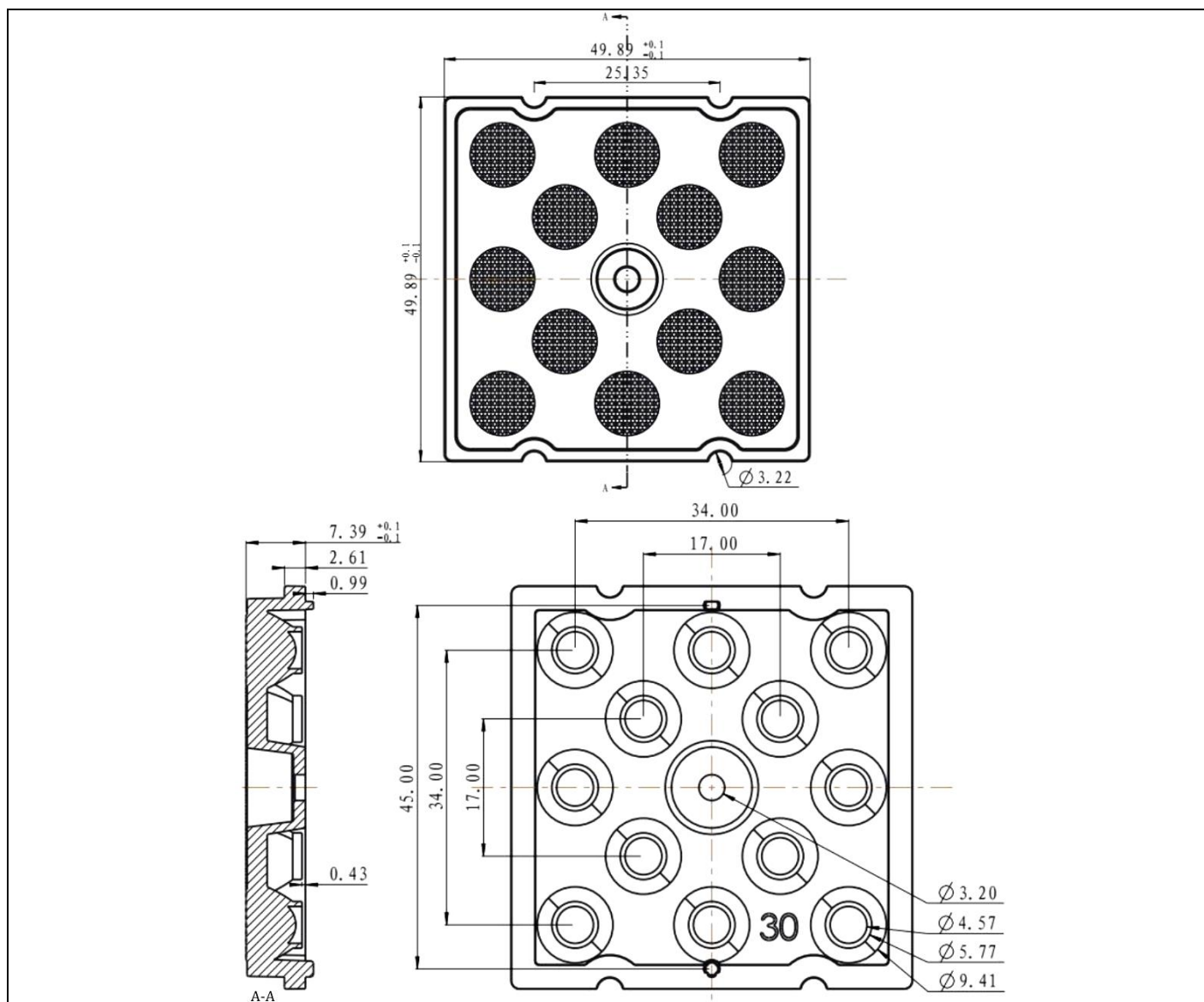


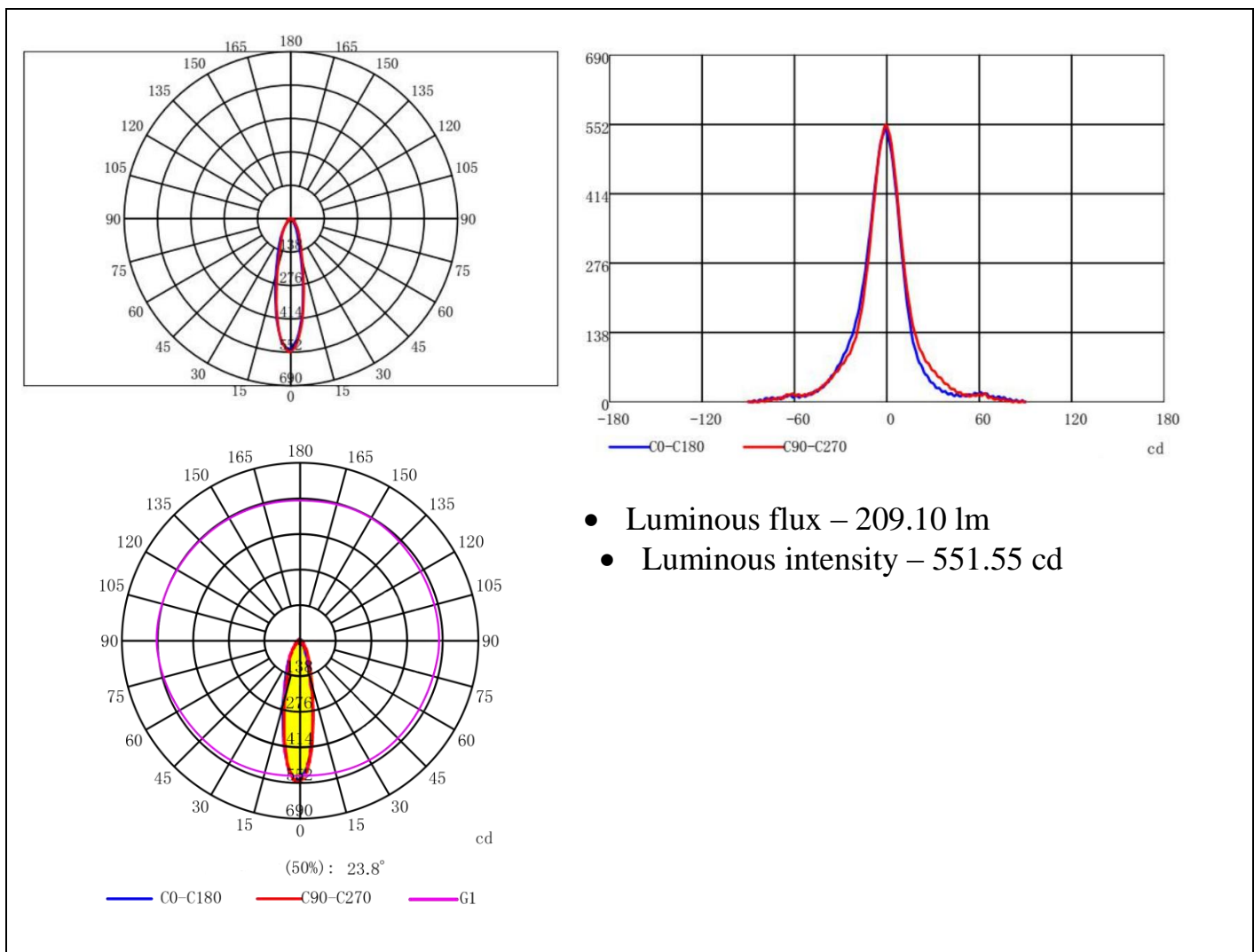
**Product Specification:**

Product class: LED lens Streetlight and High Bay Light  
 Material: PMMA  
 FWHM: 23.8°  
 Certification: RoHS


**Drawing:**


**Test conditions:**

- Ambient air temperature, °C -- 21,5-23,2
- Relative humidity, % -- 57,5-58,7
- Atmospheric pressure, kPa -- 99,3-99,4

**Optical test report:**


- Luminous flux – 209.10 lm
- Luminous intensity – 551.55 cd

**Notes:**

Please use a little water and soft fabric (air-laid paper) to clean the lens & reflector if necessary.

Forbid to use industrial solvent to clean the lens, such as alcohol.

The working temperature is -35°C ~ +120°C.

Storage environment temperature is 0°C ~ 40°C, humidity is 30% ~ 95%.

Optic Lens has the function to change the ray of light, it is made of optical material, the effect shall be influenced once pollute. Please do not open the packing before use it, to avoid the dust pollution.

Protect the product from the sun and other ultraviolet ray, as these will lead to aging, change color, crack, etc.

Please wear gloves once install the lens, avoid to abrasion the lens surface.

Forbid to use acidic or alkaline solution touch the product, avoid to generate the chemical reactions.