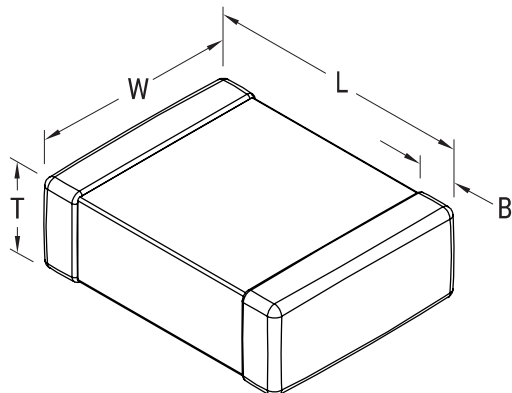


**KEMET Part Number: C1210C476M9RACTU**  
(C1210C476M9RAC7800)

SMD Comm X7R, Ceramic, 47 uF, 20%, 6.3 VDC, X7R, SMD, MLCC, Temperature Stable, Class II, 1210



**Dimensions**

Chip Size		1210
L		3.2mm +/-0.3mm
W		2.5mm +/-0.22mm
T		2.5mm +/-0.30mm
B		0.5mm +/-0.25mm

**Packaging Specifications**

<b>Packaging:</b>	T&R, 180mm, Plastic Tape
<b>Packaging Quantity:</b>	1000

**General Information**

<b>Series:</b>	SMD Comm X7R
<b>Style:</b>	SMD Chip
<b>Description:</b>	SMD, MLCC, Temperature Stable, Class II
<b>Features:</b>	Temperature Stable, Class II
<b>RoHS:</b>	Yes
<b>Termination:</b>	Tin
<b>Marking:</b>	No
<b>AEC-Q200:</b>	No
<b>Component Weight:</b>	135 mg
<b>Shelf Life:</b>	78 Weeks
<b>MSL:</b>	1

**Specifications**

<b>Capacitance:</b>	47 uF
<b>Measurement Condition:</b>	120 Hz 0.5Vrms
<b>Capacitance Tolerance:</b>	20%
<b>Voltage DC:</b>	6.3 VDC
<b>Dielectric Withstanding Voltage:</b>	15.75 VDC
<b>Temperature Range:</b>	-55/+125°C
<b>Temperature Coefficient:</b>	X7R
<b>Capacitance Change with Reference to +25°C and 0 VDC Applied (TCC):</b>	15%, 120Hz 0.5Vrms
<b>Dissipation Factor:</b>	10% 120 Hz 0.5Vrms
<b>Aging Rate:</b>	3% Loss/Decade Hour: Referee Time is 48 Hours
<b>Insulation Resistance:</b>	2.1 MOhms