

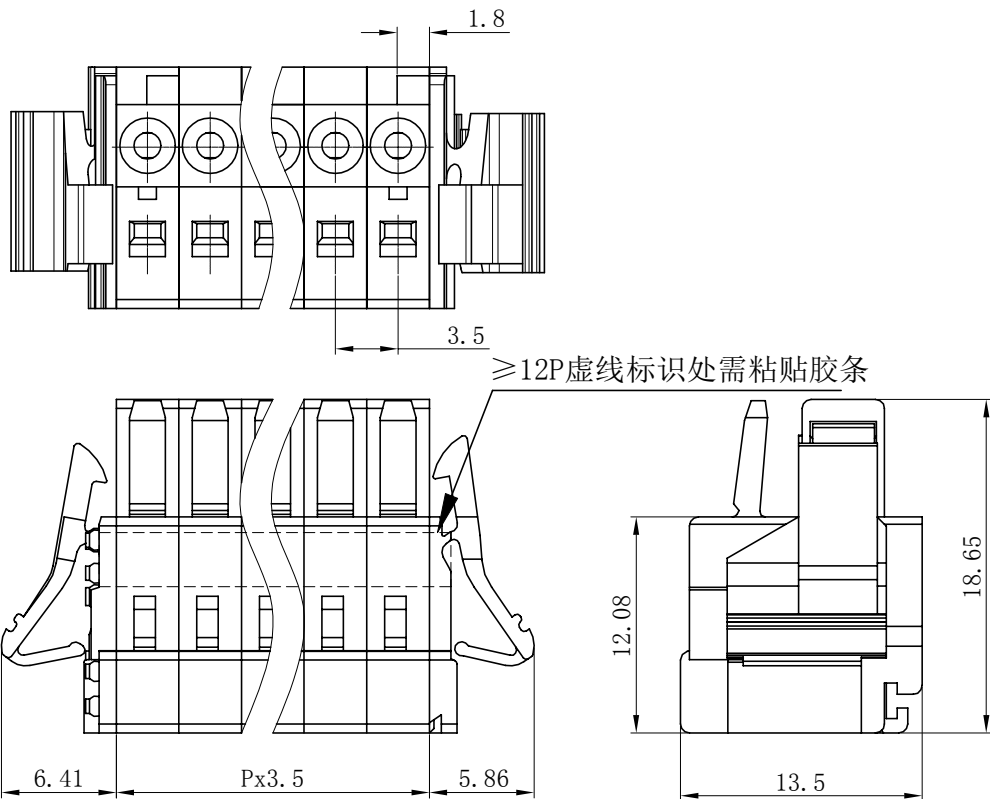


# 宁波速普电子有限公司

## NINGBO SUPU ELECTRONICS.CO.,LTD

### 产品规格书

### Product Specification



(P为通道数, P=Poles count)

#### 订货信息 Order Info

订货号 PART NUMBER	通道数 NO. OF POS	颜色 COLOR
435102/050	2	白灰色 Light gray
435103/050	3	
435104/050	4	
435105/050	5	
.....	.....	
435122/050	22	
.....	.....	
435124/050	24	

未注公差表参照GB/T14486

0-3	>3-6	>6-10	>10-14	>14-18	>18-24	>24-30	>30-40	>40-50	>50-65	>65-80	>80-100	>100-120	>120-140	>140-160	>160-180	>180-200	角度
±0.08	±0.09	±0.10	±0.12	±0.14	±0.16	±0.18	±0.21	±0.24	±0.28	±0.32	±0.36	±0.41	±0.46	±0.51	±0.56	±0.62	±2°

IEC 额定数据/IEC Rated data			
接线范围/Wire range	0.2-1.5 mm <sup>2</sup>		
单股导线/Solid	0.2-1.5 mm <sup>2</sup>		
软导线/Stranded	0.2-1.5 mm <sup>2</sup>		
带端头软导线/Stranded with ferrules without plastic sleeve	0.2-1.0 mm <sup>2</sup>		
带预绝缘端头软导线/Stranded with ferrules with plastic sleeve	0.2-1.0 mm <sup>2</sup>		
剥线长度/Strip length	7~8mm		
过电压类别/Surge voltage category	III	III	II
污染等级/Pollution degree	3	2	2
额定电压/Rated voltage	160V	160V	320V
额定脉冲耐受电压/Rated surge voltage	2.5KV	2.5KV	2.5KV
额定电流/Rated current	10A	10A	10A
UL 额定数据/UL Rated data			
额定电流/Rated current	10A	—	10A
额定电压/Rated voltage	300V	—	300V
接线范围/Wire range	24-16AWG		
其他信息/Other information			
塑件/Housing	PA66		
触点材料/Contact	铜合金/Copper Alloy		
镀层/Coating	镀锡/Sn plated		
阻燃等级/Flame retardant rating	UL94-V0		
工作温度/Operating temperature	-40℃~+105℃		
认证/Approval			
制图: 金辰义	审核: 巴宇辉	日期: 2024/05/05	

单位/Unit	mm	Rev.	Name
		02	4351xx/050系列 2-24通道孔型连接器带卡结构 4351xx/050 Series 2-24 Female connectors with spring-cage clamp with locking device