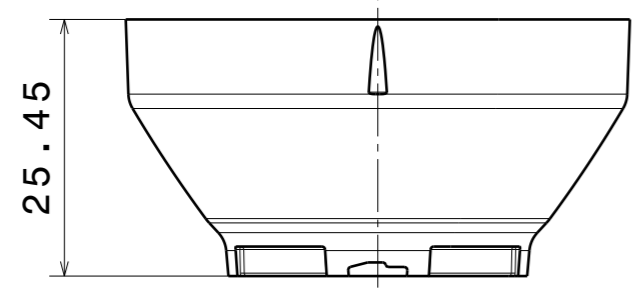
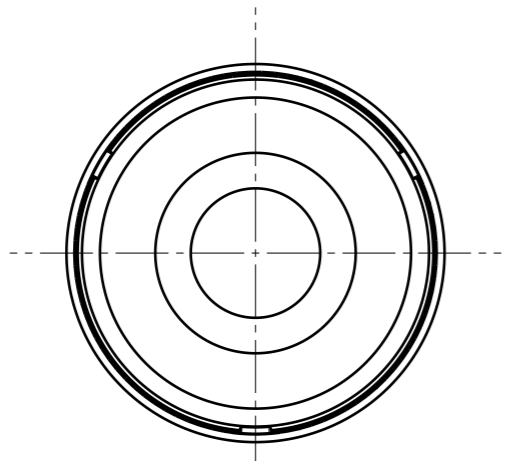


Bottom view

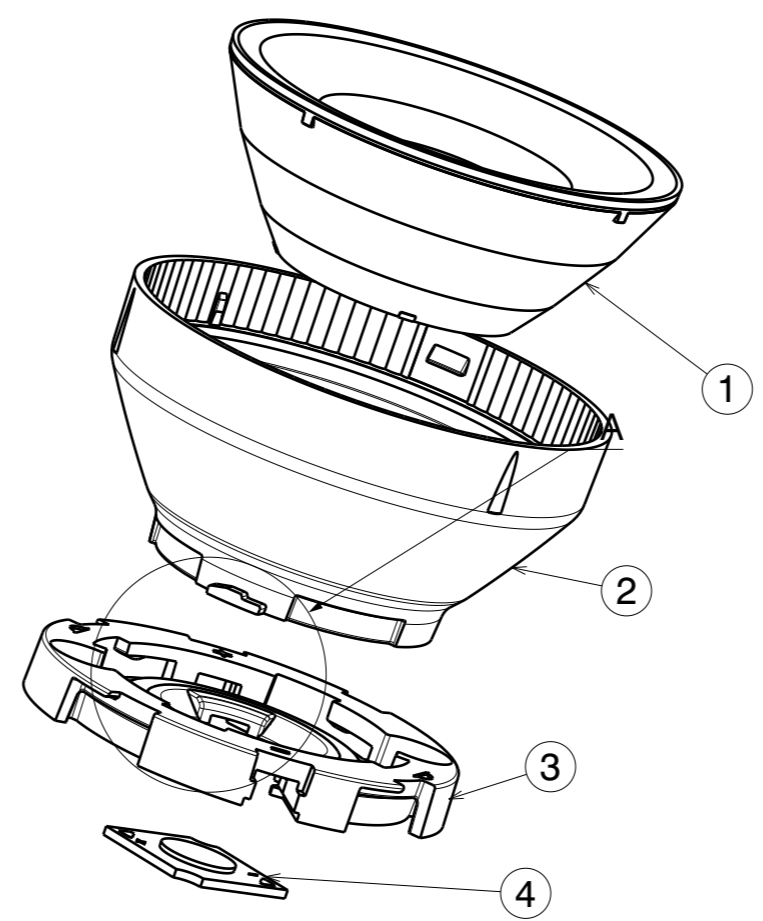


Side view

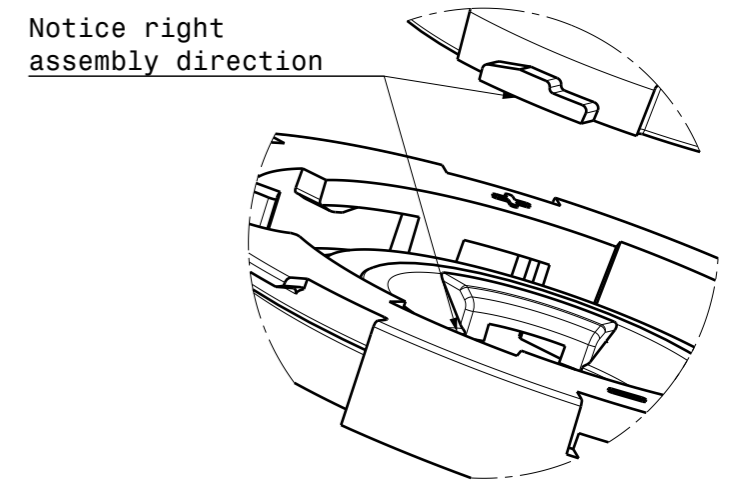


Top view

Example assembly:



Isometric view



Detail A

INDEX	PART NO
1	CARMEN-50-Lens
2	CARMEN-50-HLD-C
3	HEKLA-Socket
4	LED

Tolerances if not otherwise shown  
 According to DIN ISO 2768-1  
 Linear measures:  
 Up to 30mm class M, otherwise class C.  
 According to DIN ISO 2768-2  
 Form and position: class L

**LEDiL** LediL Oy  
 Joensuunkatu 13  
 FIN 24240 SALO  
 Finland

THIRD ANGLE PROJECTION:

DRAWING TITLE  
**CARMEN-50-C**

This drawing is the property of LEDiL Oy. It may not be reproduced, copied or communicated without a written agreement with LEDiL Oy.

SIZE **A3** PART NUMBER **CARMEN-50-C**

WEIGHT SHEET 1/1