



**Features :**

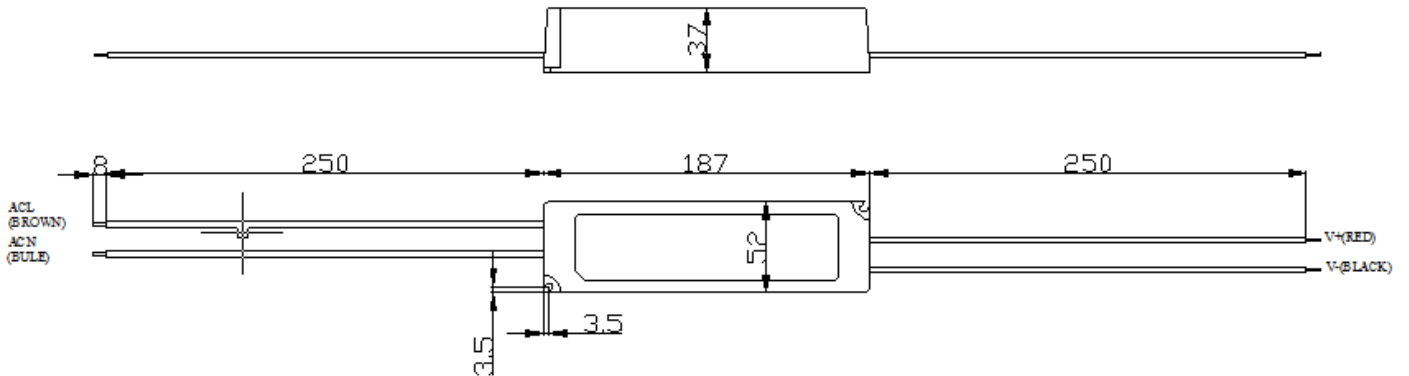
- Universal AC input/Full range
- Protections: Short circuit / Over current / Over voltage / Over temperature
- IP65 design
- Cooling by free air convection
- High efficiency up to 87%
- Suitable for LED lighting
- Compliance to worldwide safety regulations for lighting
- Damp / wet location outdoor application

**SPECIFICATION:**

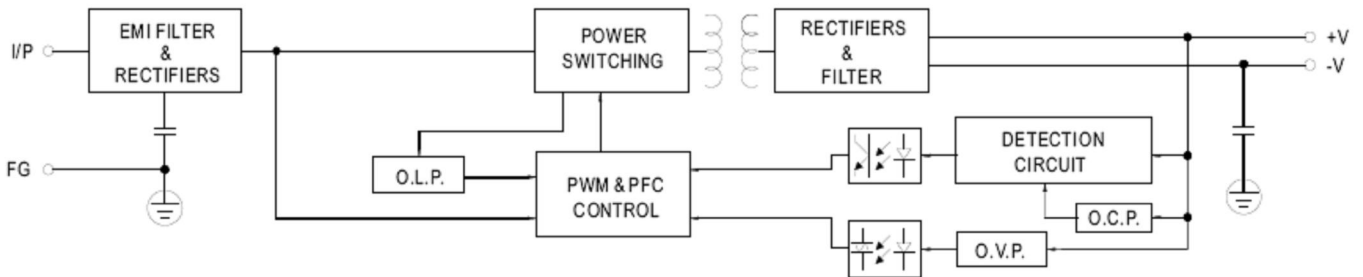
MODEL		IS 100V-12	IS 100V-24
OUTPUT	DC VOLTAGE	12V	24V
	RATED CURRENT	8.3A	4.2A
	RATED POWER	99.6W	100.8W
	RIPPLE & NOISE (max.)	200mVp-p	200mVp-p
	LINE REGULATION	±1.0%	
	LOAD REGULATION	±2.0%	
	SETUP,RISE TIME	1300ms, 80ms / 230VAC; 2500ms, 80ms / 115VAC at full load	
HOLD UP TIME (Typ.)	40ms 230VAC / 115VAC at full load		
INPUT	VOLTAGE RANGE	100 ~ 240VAC	
	FREQUENCY RANGE	47~63Hz	
	EFFICIENCY(Typ.)	87%	88%
	AC CURRENT(at full load)	2A / 115VAC	1A / 230VAC 0.9A / 264VAC
	INRUSH CURRENT (max.)	COLD START 75A/230VAC	
	LEAKAGE CURRENT	<1mA / 264VAC	
PROTECT ON	OVER CURRENT	95 ~ 108% Protection type : Constant current limiting, recovers automatically after fault condition is removed	
	SHORT CIRCUIT	Constant current limiting, recovers automatically after fault condition is removed	
	OVER VOLTAGE	18~22V	28~34V
		Protection type : Shut down o/p voltage, re-power on to recover	
	OVER TEMPERATURE	Protection type : Shut down o/p voltage, recovers automatically after temperature goes down	
EMRONMENT	WORKING TEMP.	-30 ~ +40 @ full load ; 60+@ 60% load	
	WORKING HUMIDITY	20~95% RH non-condensing	
	STORAGE TEMP., HUMIDITY	-40~80°C, 10~95% RH	
	TEMP.COEFFICIENT	±0.03%/°C (0~50°C)	

	VIBRATION	10 ~ 500Hz, 5G 12min./1cycle, period for 72min. each along X, Y, Z axes
SAFETY & EMC	SAFETY STANDARDS	Compliance to EN55015, EN55022 (CISPR22) Class A TUV-GS EN61347-1, EN61347-2-13, CSA C22.2 No.250.0-08, meet IP65
	WITHSTAND VOLTAGE	I/P-O/P:3.0KVAC
	ISOLATION RESISTANCE	I/P-O/P:>100M Ohms / 500VDC / 25°C/70% RH
	EMC CONDUCTION & RADIATION	Compliance to EN55015, EN55022 (CISPR22) Class A
DIMENSION		187*52*37mm (L*W*H)

**Mechanical Specification:**



**Block Diagram:**



**Static Characteristics:**

