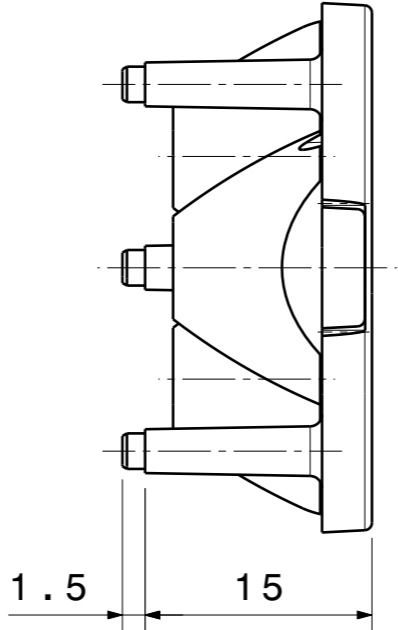
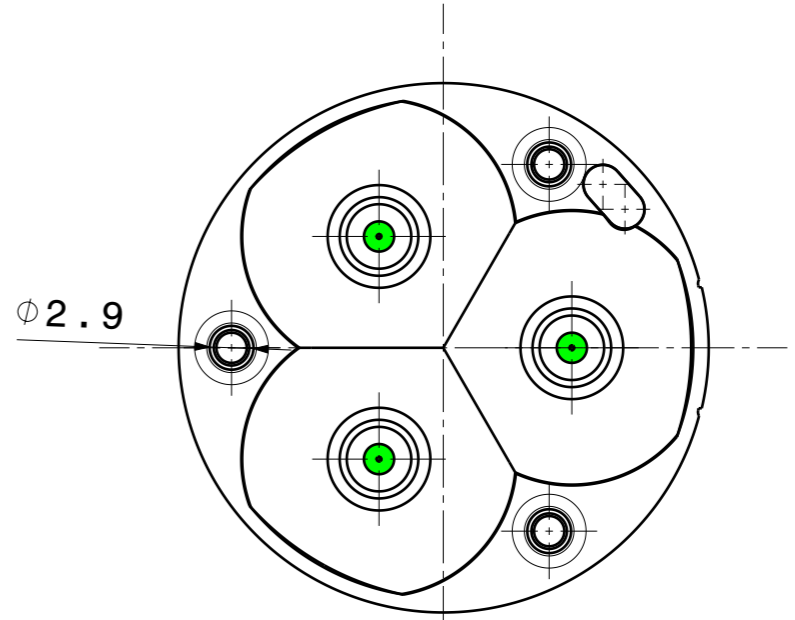


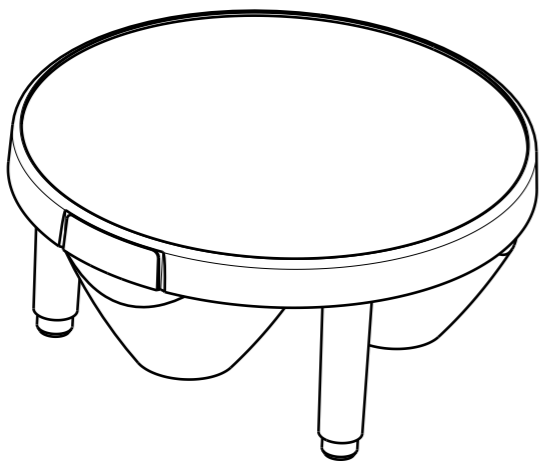
Top view



Front view



Bottom view



Isometric view

PART	TYPE	MATERIAL	COLOR / COATING
C10711_CUTE-3-M	LENS	PMMA	CLEAR

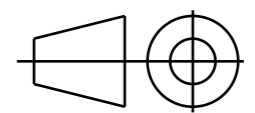
MECHANICAL DRAWING

PRODUCT
CUTE - 3

LEDiL[®]

Plastic moulding general tolerances according to DIN 16901-130 and applies if not otherwise shown in the drawing. Silicone moulding general tolerances according to ISO 3302-1 Class M3 and applies if not otherwise shown in the drawing.

FIRST ANGLE PROJECTION:



This drawing is the property of LEDiL Oy. It may not be copied or otherwise distributed without prior written permission from LEDiL Oy.

SCALE 2:1

WEIGHT -

A3 SHEET 1/1

Notes

LED location
Ensure LED fitting from a product specific 3D model available from www.ledil.com
For more details about installation please see LEDiL Installation Guide on www.ledil.com