



200W Single Output Switching Power Supply

IS 200GAP-xxx Series

Features :

- Universal AC input/Full range
- Protections: Short circuit / Overload / Over voltage / Over temperature
- Built_in active PFC function
- Fully encapsulated with IP67 level
- UL60950 Class 2 power unit, pass LPS
- Cooling by free air convection
- 100% full load burn-in test
- High reliability
- Suitable for LED lighting and moving sign applications
- Compliance to worldwide safety regulations for lighting
- Damp / wet location outdoor application
-



SPECIFICATION:

MODEL		IS 200GAP-445	IS 200GAP-285	IS 200GAP-190	IS 200GAP-142	IS 200GAP-114	IS 200GAP-95	IS 200GAP-81	IS 200GAP-71	IS 200GAP-63	IS 200GAP-57	IS 200GAP-47	IS 200GAP-40	IS 200GAP-35	IS 200GAP-32	IS 200GAP-24	IS 200GAP-12
OUTPUT	DC VOLTAGE	445V	285V	190V	142V	114V	95V	81V	71V	63V	57V	47V	40V	35V	32V	24V	12V
	RATED CURRENT	0.45A	0.700mA	1050mA	1400mA	1750mA	2100mA	2450mA	2800mA	3150mA	3500mA	4200mA	4900mA	5600mA	6300mA	8330mA	16700mA
	RATED POWER	200W															
	RIPPLE & NOISE (max.)	max:3% VO Measured by 20 MHz bandwidth oscilloscope and the output paralleled a 0.1 uF ceramic capacitor and a 10 uF electrolytic capacitor.															



200W Single Output Switching Power Supply

IS 200GAP-xxx Series

	VOLTAGE TOLERANCE	±3.0%															
	LINE REGULATION	±1.0%															
	LOAD REGULATION	±2.0%															
	SETUP,RISE TIME	1000ms, 80ms / 230VAC 1000ms, 80ms / 115VAC at full load															
	HOLD UP TIME (Typ.)	60ms / 230VAC 30ms / 115VAC at full load															
INPUT	VOLTAGE RANGE	100 ~ 240VAC															
	FREQUENCY RANGE	47 ~ 63Hz															
	POWER FACTOR	PF>0.95/230VAC PF>0.98/115VAC at full load PF≥0.9 at 75~100% load, 115VAC / 230VAC															
	EFFICIENCY (Typ.)	93.0%	93.0%	92.5%	92.0%	92.0%	91.5%	91.5%	91.0%	91.0%	90.0%	90.0%	90.0%	89.5%	89.5%	88.0%	87.0%
	AC CURRENT (at full load)	2.2A / Measured at full load and 115 Vac input. 1.1A / Measured at full load and 230 Vac input.															
	INRUSH CURRENT (max.)	65A At 230Vac input 25°C Cold Start															
	LEAKAGE CURRENT	<1mA / 240VAC															
	PROTECT ON	OVER CURRENT	95 ~ 108% Protection type : Constant current limiting, recovers automatically after fault condition is removed														



200W Single Output Switching Power Supply

IS 200GAP-xxx Series

	SHORT CIRCUIT	Hiccup mode, recovers automatically after fault condition is removed															
	OVER VOLTAGE	534 ~ 668V	342 ~ 385V	228 ~ 257V	170 ~ 213V	137 ~ 154V	114 ~ 128V	97 ~ 122V	85 ~ 107V	76 ~ 95V	68 ~ 86V	56 ~ 71V	48 ~ 60V	42 ~ 53V	38 ~ 48V	29 ~ 36V	14.5 ~ 18V
		Protection type : Shut down o/p voltage, re-power on to recover															
	OVER TEMPERATURE	Tj 140°C typically(U1) Detect on main control IC															
		Protection type: Shutdown o/p voltage, recovers automatically after temperature goes down															
ENVIRONMENT	WORKING TEMP.	-30 ~ +50 @ full load ; +70 @ 50% load															
	WORKING HUMIDITY	20 ~ 95% RH non-condensing															
	STORAGE TEMP., HUMIDITY	-40 ~ 80°C, 10 ~ 95% RH															
	TEMP. COEFFICIENT	±0.03%/°C (0 ~ 50°C)															
	VIBRATION	10 ~ 500Hz, 5G 12min./1cycle, period for 72min. each along X, Y, Z axes															
SAFETY & EMC	SAFETY STANDARDS	Design refer to UL1310 Class 2, TUV EN60950-1, EN61347-2-13, CAN/CSA C22.2 No. 223-M91, meet IP67															
	WITHSTAND VOLTAGE	I/P-O/P:3.0KVAC I/P-FG:1.5KVAC O/P-FG:0.5KVAC															
	ISOLATION RESISTANCE	I/P-O/P:>100M Ohms / 500VDC / 25 ~ 70% RH															
	EMI CONDUCTION & RADIATION	Compliance to EN55015, EN55022 (CISPR22) Class B															
	HARMONIC CURRENT	Compliance to EN61000-3-2 Class C (≥75% load) ; EN61000-3-3															
	EMS IMMUNITY	Compliance to EN61000-4-2,3,4,5,6,8,11; ENV50204, EN55024, EN61547, light industry level , criteria A															
DIMENSION		241*96*49.5mm (L*W*H)															

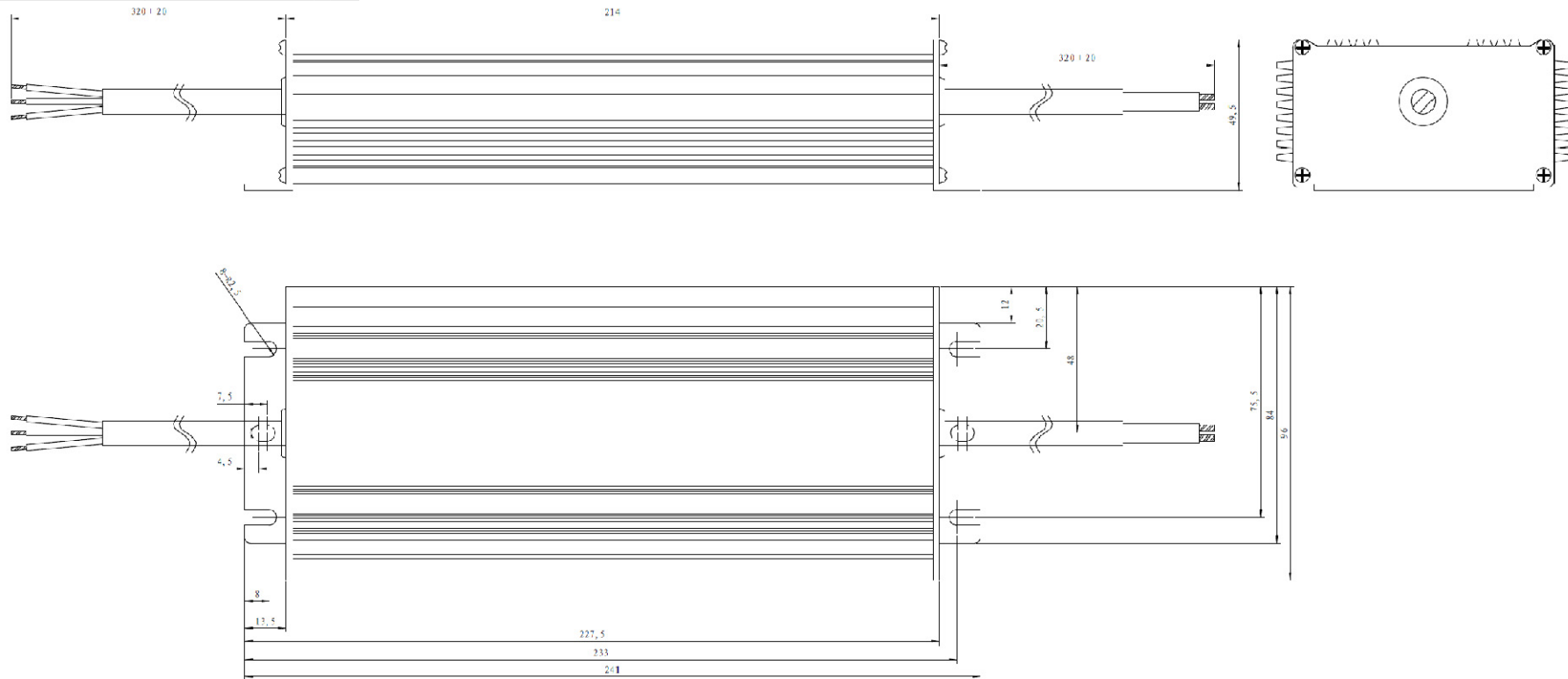
Notes: (1) Measured at full load and 220 Vac input.



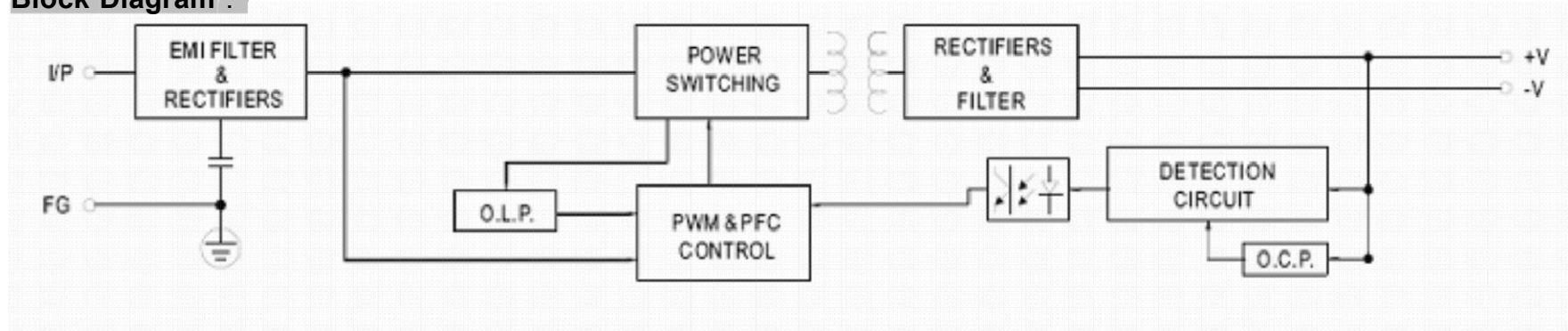
200W Single Output Switching Power Supply

IS 200GAP-xxx Series

Mechanical Specification :



Block Diagram :



Derating Curves

