

PLEASE CHECK WWW.MOLEX.COM FOR LATEST PART INFORMATION

Part Number: [43030-0007](#)
Status: **Active**
Overview: Micro-Fit 3.0™ Connectors
Description: Micro-Fit 3.0™ Crimp Terminal, Female, with Tin (Sn) Plated Phosphor Bronze Contact, 20-24 AWG, Bag

Documents:

3D Model	RoHS Certificate of Compliance (PDF)
Drawing (PDF)	Product Literature (PDF)
Product Specification PS-43045 (PDF)	

General

Product Family	Crimp Terminals
Series	43030
Application	Power
Crimp Quality Equipment	Yes
MolexKits	Yes
Overview	Micro-Fit 3.0™ Connectors
Packaging Alternative	43030-0001 (Reel)
Product Literature Order No	987650-5984
Product Name	Micro-Fit 3.0™
UPC	800753755772

Physical

Gender	Female
Material - Metal	Phosphor Bronze
Material - Plating Mating	Tin
Material - Plating Termination	Tin
Net Weight	0.061/g
Packaging Type	Bag
Plating min - Mating	1.016µm
Plating min - Termination	1.016µm
Termination Interface: Style	Crimp or Compression
Wire Insulation Diameter	1.85mm max.
Wire Size AWG	20, 22, 24
Wire Size mm²	N/A

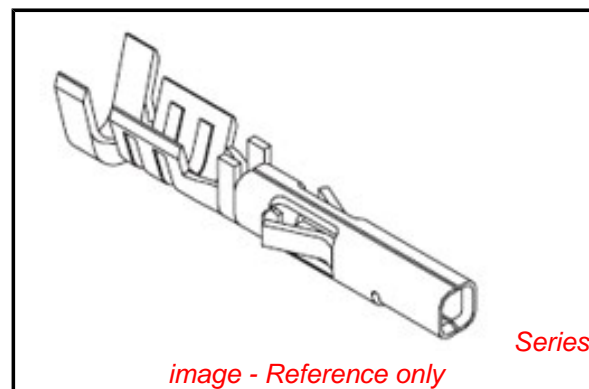
Electrical

Current - Maximum per Contact	5A
-------------------------------	----

Material Info

Reference - Drawing Numbers

Product Specification	PS-43045, RPS-43025-002, RPS-43045-003, RPS-43045-004
Sales Drawing	SD-43030-****



EU RoHS

ELV and RoHS Compliant
REACH SVHC Contains SVHC: No
Low-Halogen Status Low-Halogen

China RoHS



Need more information on product environmental compliance?

Email productcompliance@molex.com
 For a multiple part number RoHS Certificate of Compliance, [click here](#)

Please visit the [Contact Us](#) section for any non-product compliance questions.

Search Parts in this Series

[43030Series](#)

Mates With

[43031](#) Micro-Fit 3.0™ Male Crimp Terminals

Use With

[43025](#) , [43645](#) Micro-Fit 3.0™ Receptacle Housings, [44133](#) Micro-Fit BMI™ Panel Mount Receptacle Housings

Application Tooling | FAQ

Tooling specifications and manuals are found by selecting the products below. Crimp Height Specifications are then contained in the Application Tooling Specification document.

Global

Description	Product #
Hand Crimp Tool	0638190000
Extraction Tool	0011030043
Insertion Tool for Crimp Terminal	0638120800

This document was generated on 12/17/2014

PLEASE CHECK WWW.MOLEX.COM FOR LATEST PART INFORMATION