

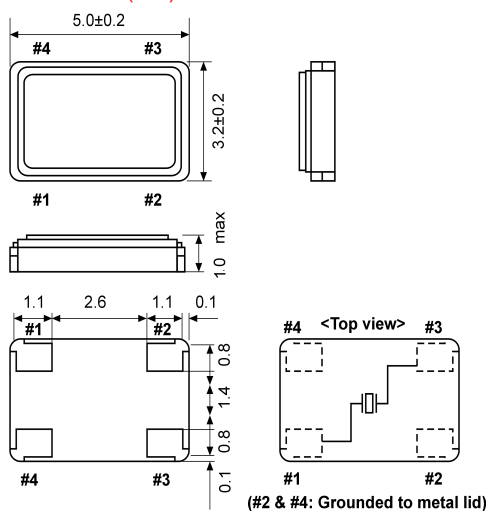


Quartz Crystal

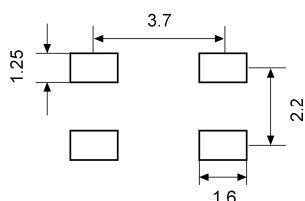
SMD-version

model	KX – 9A
frequency range	7,680 ~ 300,0 MHz
mode	fundamental, 3rd overtone, 5th overtone
operating temperature	standard -20° ~ + 70°C available -40° ~ + 85°C (=KX-9AT) available -40° ~ +105°C (=KX-9AE)
frequency tolerance at +25°C	standard ± 30 ppm available ± 10 ~ ± 50 ppm
temperature tolerance -20° ~ + 70°C -40° ~ + 85°C -40° ~ +105°C	standard ± 50 ppm, available ±10 ~ ± 70 ppm standard ±100 ppm, available ±20 ~ ± 100 ppm standard ±120 ppm, available ±30 ~ ± 120 ppm
load capacitance C_L	standard 16 pF available 10 ~ 20 pF
series resonance R1 max.	fundamental 7,68 ~ 7,99 MHz 330 Ohm 8,0 ~ 12,0 MHz 100 Ohm 12,1 ~ 16,0 MHz 80 Ohm 16,1 ~ 20,0 MHz 60 Ohm 20,1 ~ 50,0 MHz 40 Ohm 50,1 ~ 130,0 MHz 30 Ohm 3rd overtone 70,0 ~ 300,0 MHz 80 Ohm 5th overtone 120,0 ~ 250,0 MHz 80 Ohm
aging at +25°C (first year) max.	± 2 ppm
shunt capacitance C_0 max.	5,0 pF
drive level max.	0,05 mW
contents of reel	1000 pcs.
part no.	12.xxxxx

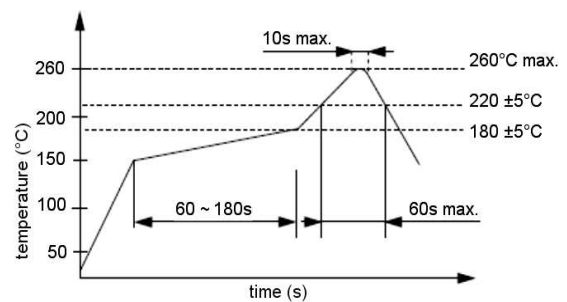
Dimensions (mm):



Suggested soldering pad:



Reflow soldering condition:



Tape specification:

