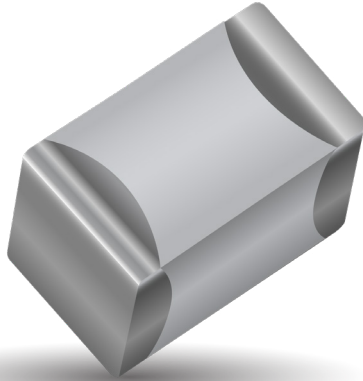


RF/Microwave Capacitors

RF/Microwave Multilayer Capacitors (MLC)

600F Ultra-Low ESR, High Q, NPO Capacitors



FEATURES

- Lowest ESR in Class
- Highest Working Voltage in Class - 250 V
- Standard EIA Size: 0805
- Laser Marking (Optional)
- High Self-Resonance Frequencies

AVX 600 SERIES OVERVIEW

AVX Series	AVX Case Size	EIA Case Size
600	L	0402
600	S	0603
600	F	0805

APPLICATIONS

- Cellular Base Stations
- Broadband Wireless Services
- Satellite Communications
- Subscriber-based Wireless Devices
- WiFi (802.11)
- Public Safety Radio

CIRCUIT APPLICATIONS

- Filter Networks
- High Q Frequency Sources
- Matching Networks
- Tuning, Coupling, Bypass and DC Blocking

ELECTRICAL SPECIFICATIONS

Temperature Coefficient (TCC)	0 ± 30 PPM/°C
Capacitance Range	0.1 pF to 240 pF
Operating Temperature	-55°C to +125°C*
Quality Factor	Greater than 2,000 @ 1 MHz
Insulation Resistance (IR)	10 ⁵ Megohms min. @ 25°C at rated WVDC 10 ⁴ Megohms min. @ 125°C at rated WVDC
Working Voltage (WVDC)	200 V
Dielectric Withstanding Voltage (DWV)	250% of rated WVDC for 5 seconds
Aging Effects	None
Piezoelectric Effects	None

PACKAGING OPTIONS



Tape & Reel



Vertical
Orientation
Tape & Reel



ENVIRONMENTAL CHARACTERISTICS

Thermal Shock	5 Cycles, -55°C to 125°C
Moisture Resistance	Mil-STD-202, Method 106
Life Test	2000 hours at 125°C at 2X WVDC
Solderability	Solder Coverage > 90% of end termination
Terminal Strength	4 lbs. typ., 2 lb. min.
Military Approval	DSCC Drawing Number 05001

RF/Microwave Capacitors

RF/Microwave Multilayer Capacitors (MLC)

600F Ultra-Low ESR, High Q, NPO Capacitors



CAPACITANCE VALUES

Value (pF)	Cap Code	Marking	Tolerances	Value (pF)	Cap Code	Marking	Tolerances	Value (pF)	Cap Code	Marking	Tolerances
0.1	0R1	A9	A, B	3.3	3R3	N0	A, B, C, D	30	300	M1	F, G, J, K, M
0.2	0R2	H9	A, B	3.6	3R6	P0	A, B, C, D	33	330	N1	F, G, J, K, M
0.3	0R3	M9	A, B, C	3.9	3R9	Q0	A, B, C, D	36	360	P1	F, G, J, K, M
0.4	0R4	d9	A, B, C	4.3	4R3	R0	A, B, C, D	39	390	Q1	F, G, J, K, M
0.5	0R5	f9	A, B, C	4.7	4R7	S0	A, B, C, D	43	430	R1	F, G, J, K, M
0.6	0R6	m9	A, B, C	5.1	5R1	T0	A, B, C, D	47	470	S1	F, G, J, K, M
0.7	0R7	n9	A, B, C	5.6	5R6	U0	A, B, C, D	51	510	T1	F, G, J, K, M
0.8	0R8	t9	A, B, C	6.2	6R2	V0	A, B, C, D	56	560	U1	F, G, J, K, M
0.9	0R9	y9	A, B, C	6.8	6R8	W0	B, C, J, K	62	620	V1	F, G, J, K, M
1.0	1R0	A0	A, B, C, D	7.5	7R5	X0	B, C, J, K	68	680	W1	F, G, J, K, M
1.1	1R1	B0	A, B, C, D	8.2	8R2	Y0	B, C, J, K	75	750	X1	F, G, J, K, M
1.2	1R2	C0	A, B, C, D	9.1	9R1	Z0	B, C, J, K	82	820	Y1	F, G, J, K, M
1.3	1R3	D0	A, B, C, D	10	100	A1	F, G, J, K, M	91	910	Z1	F, G, J, K, M
1.5	1R5	E0	A, B, C, D	11	110	B1	F, G, J, K, M	100	101	A2	F, G, J, K, M
1.6	1R6	F0	A, B, C, D	12	120	C1	F, G, J, K, M	110	111	B2	F, G, J, K, M
1.8	1R8	G0	A, B, C, D	15	150	E1	F, G, J, K, M	120	121	C2	F, G, J, K, M
2.0	2R0	H0	A, B, C, D	18	180	G1	F, G, J, K, M	150	151	E2	F, G, J, K, M
2.2	2R2	J0	A, B, C, D	20	200	H1	F, G, J, K, M	180	181	G2	F, G, J, K, M
2.4	2R4	K0	A, B, C, D	22	220	J1	F, G, J, K, M	200	201	H2	F, G, J, K, M
2.7	2R7	L0	A, B, C, D	24	240	K1	F, G, J, K, M	220	221	J2	F, G, J, K, M
3.0	3R0	M0	A, B, C, D	27	270	L1	F, G, J, K, M	240	241	K2	F, G, J, K, M

HOW TO ORDER

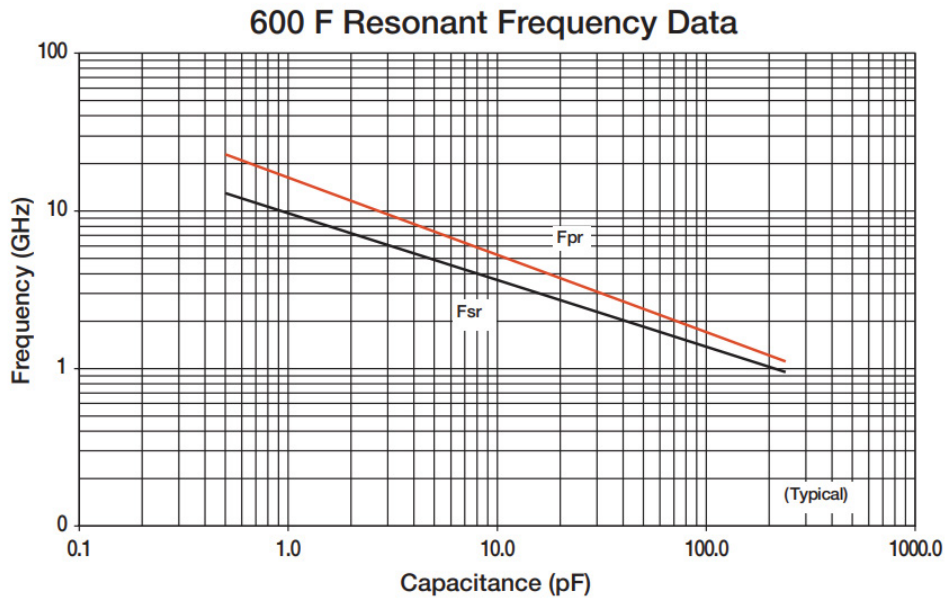
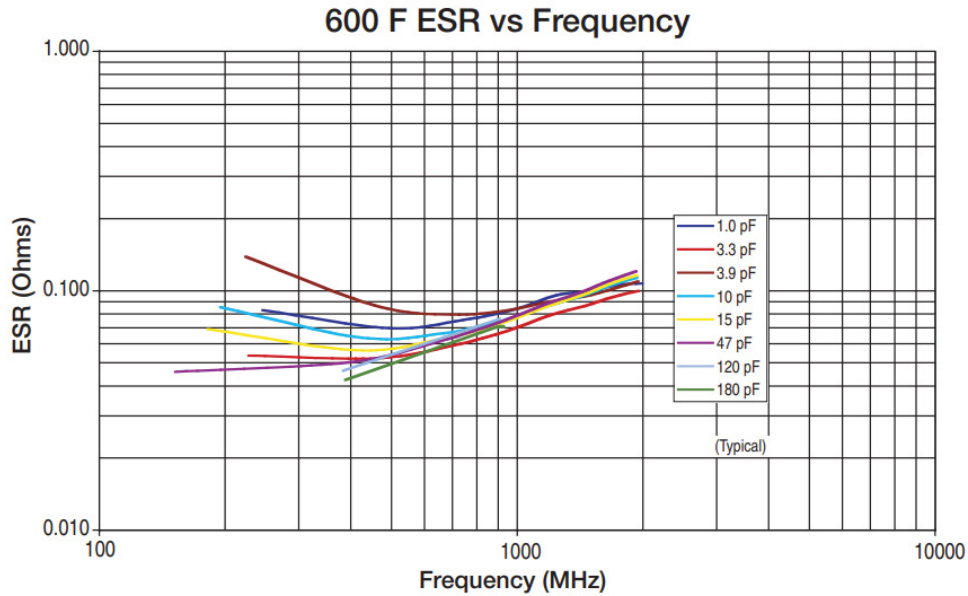
Series 600
Case Size F
 See mechanical dimensions below
Capacitance Code 100
 EIA Capacitance Code in pF.
 Third digit = number of zeros or after "R" significant figures
Capacitance Tolerance Code J

Code	A	B	C	D	F	G	J	K	M
Tol.	±0.05 pF	±0.1 pF	±0.25 pF	±0.5 pF	±1%	±2%	±5%	±10%	±20%

Termination Style Code T
 T = Tin Plated over Nickel Barrier (RoHS Compliant)
 TN = Tin Plated Non-Magnetic Barrier
 W = Tin/Lead Solder Nickel Barrier
Voltage Rating 250
Laser Marking (Optional) X**
Packaging T
 T = Tape and Reel, 500 pcs
 T4K = Tape and Reel, 4000 pcs
 TV = Vertical Tape and Reel, 500 pcs

**Laser Marking is optional

RF/Microwave Capacitors
RF/Microwave Multilayer Capacitors (MLC)
600F Ultra-Low ESR, High Q, NPO Capacitors



AVX 600F Series Data Sheet Condition Description

Capacitors horizontally mounted on 23.3-mil thick Rogers R0435[®] softboard 52-mils wide 1/2 oz. Cu traces
FSR = lowest frequency at which S11 response, referenced at capacitor edge, crosses real axis on Smith Chart.
FPR = lowest frequency at which there is a notch in S21 magnitude response.

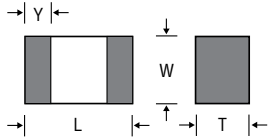
RF/Microwave Capacitors

RF/Microwave Multilayer Capacitors (MLC)

600F Ultra-Low ESR, High Q, NPO Capacitors



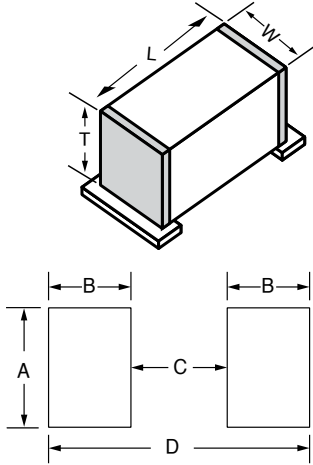
OUTLINE DIMENSIONS



L (0805)	L: $.079 \pm .008$ (2.01 \pm 0.20)	T: .051 max (1.30 max)
	W: $.049 \pm .008$ (1.24 \pm 0.20)	Y: $.020 \pm 0.01$ (0.51 \pm 0.25)

inches (mm)

SUGGESTED MOUNTING PAD DIMENSIONS



Case Size L, S, and F

Case Size	A Min.	B Min.	C Min.	D Min.
0402 (1005)	.0275 (0.70)	.0354 (0.90)	.0157 (0.40)	.0866 (2.20)
0603 (1608)	.0393 (1.00)	.0433 (1.10)	.0236 (0.60)	.110 (2.80)
0805 (2012)	.0590 (1.50)	.0512 (1.30)	.0236 (0.60)	.1259 (3.20)

inches (mm)

DESIGN KITS

Kit #	RoHS Compliant	Item #	Description	Cap. Value Range (pF)	Cap. Value (pF)	Tol. (pF)	Price
Kit 32T		DK0032T	600F Series Ultra-low ESR, High Q Microwave Capacitors 16 different values, 15 pcs. min. per value	0.1 to 2.0	0.1, 0.2, 0.3, 0.4, 0.5, 0.6, 0.7, 0.8, 0.9, 1.0, 1.1, 1.2, 1.5 $\pm 0.1\%$ 1.6, 1.8, 2.0 $\pm 0.25\%$		\$100.00
Kit 33T		DK0033T	600F Series Ultra-low ESR, High Q Microwave Capacitors 16 different values, 15 pcs. min. per value	0.1 to 10	1.0, 1.2, 1.5, 1.8, 2.0, 2.2, 2.4, 2.7, 3.0, 3.3 $\pm 0.1\%$ 3.9, 4.7, 5.6, 6.8, 8.2 $\pm 0.25\%$ 10 $\pm 5\%$		\$100.00
Kit 34T		DK0034T	600F Series Ultra-low ESR, High Q Microwave Capacitors 16 different values, 15 pcs. min. per value	10 to 27	10, 12, 15, 18, 20, 22, 24, 27 $\pm 5\%$		\$100.00
Kit 35T		DK0035T	600F Series Ultra-low ESR, High Q Microwave Capacitors 7 different values, 15 pcs. min. per value	100 to 240	100, 120, 150, 180, 200, 220, 240 $\pm 5\%$		\$55.00

For Online Kit Orders, Catalog & Application Notes, Visit: www.avx.com

Mouser Electronics

Authorized Distributor

Click to View Pricing, Inventory, Delivery & Lifecycle Information:

Kyocera AVX:

[600F120FT250XT](#) [600F241JT250XT](#) [600F180FT250XT](#) [600F0R2AT250XT](#) [600F3R9CT250XT](#) [600F1R5BT250XT](#)
[600F510JT250XT](#) [600F680JT250XT](#) [600F0R7AT250XT](#) [600F2R2AW250XT](#) [600F390JT250XT](#) [600F101JT250XT](#)
[600F8R2BT250XT](#) [600F2R4BT250XT](#) [600F0R8BT250XT](#) [600F1R0AT250XT](#) [600F100GT250XT](#) [600F6R8CT250XT](#)
[600F0R3BT250XT](#) [600F150FT250XT](#) [600F1R2AT250XT](#) [600F2R0AT250XT](#) [600F0R5AT250XT](#) [600F9R1JT250XT](#)
[600F1R8AT250XT](#) [600F3R0CT250XT](#) [600F120JT250XT](#) [600F7R5BT250XT](#) [600F910JT250XT](#) [600F201JT250XT](#)
[600F0R4AT250XT](#) [600F121FT250XT](#) [600F470FT250XT](#) [600F470JT250XT](#) [600F430FT250XT](#) [600F9R1BT250XT](#)
[600F1R8BT250XT](#) [600F1R2BT250XT](#) [600F2R7AT250XT](#) [600F6R8JT250XT](#) [600F0R9BT250XT](#) [600F560FT250XT](#)
[600F5R1CT250XT](#) [600F7R5JT250XT](#) [600F3R0AT250XT](#) [600F150GT250XT](#) [600F0R6AT250XT](#) [600F0R5BT250XT](#)
[600F2R0BT250XT](#) [600F5R6AT250XT](#) [600F5R6CT250XT](#) [600F3R3BT250XT](#) [600F100JT250XT](#) [600F4R7AT250XT](#)
[600F200JT250XT](#) [600F220JT250XT](#) [600F330FT250XT](#) [600F9R1CT250XT](#) [600F100FT250XT](#) [600F4R3BT250XT](#)
[600F8R2CT250XT](#) [600F0R7BT250XT](#) [600F270JT250XT](#) [600F0R1AT250XT](#) [600F2R0CT250XT](#) [600F1R5CT250XT](#)
[600F390FT250XT](#) [600F680FT250XT](#) [600F3R9AT250XT](#) [600F2R2BT250XT](#) [600F150JT250XT](#) [600F3R3CT250XT](#)
[600F4R7BT250XT](#) [600F240FT250XT](#) [600F221JT250XT](#) [600F330JT250XT](#) [600F2R7CT250XT](#) [600F101GT250XT](#)
[600F151JT250XT](#) [600F1R5AT250XT](#) [600F680GT250XT](#) [600F0R1BT250XT](#) [600F390GT250XT](#) [600F4R3CT250XT](#)
[600F0R8AT250XT](#) [600F1R0BT250XT](#) [600F1R6BT250XT](#) [600F430JT250XT](#) [600F0R3AT250XT](#) [600F181FT250XT](#)
[600F220FT250XT](#) [600F3R9BT250XT](#) [600F6R8BT250XT](#) [600F101FT250XT](#) [600F241FT250XT](#) [600F750JT250XT](#)
[600F0R4BT250XT](#) [600F2R7BT250XT](#) [600F820FT250XT](#) [600F180JT250XT](#)