

40mm sq.

San Ace 40WF



General Specifications

- Material.....Frame: Plastics (Flammability: UL94V-0), Impeller: Plastics (Flammability: UL94V-0)
- Expected LifeRefer to specifications (L10:Survival rate: 90% at 60°C , rated voltage, and continuously run in a free air state)
- Lead Wire⊕red ⊖black or blue (Sensor) yellow
- Storage Temperature-30°C to +70°C (Non-condensing)

The product can be used in an oil mist environment*

*Environment where machining oil mist is scattered.
Usage of this product requires an evaluation with the oil that will be used.

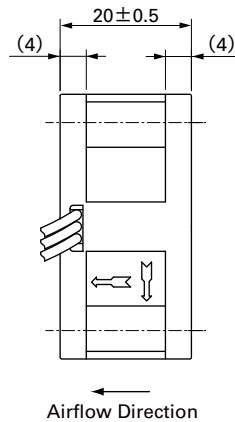
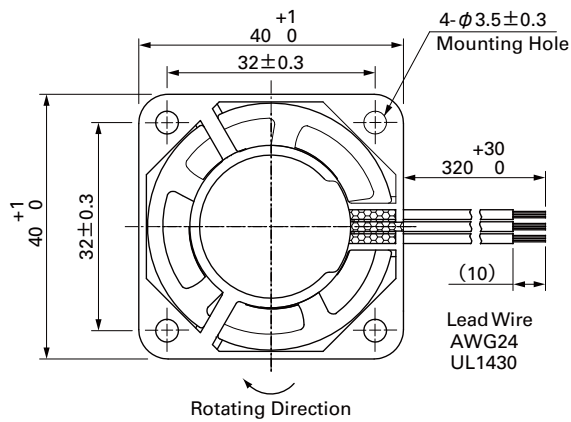
40×40×20mm (Mass : 50g) 9WF type

Specifications The following nos. have pulse sensors and ribs.

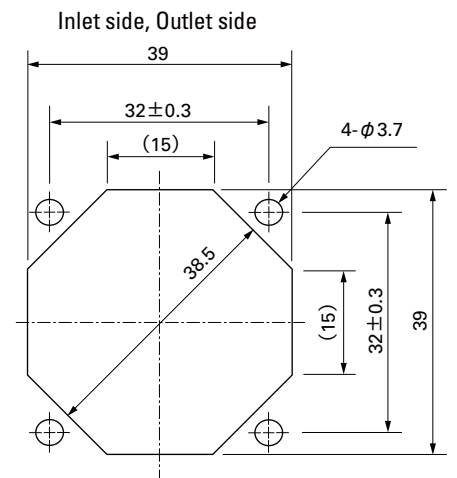
Model No.	Rated Voltage [V]	Operating Voltage Range [V]	Rated Current [A]	Rated Input [W]	Rated Speed [min ⁻¹]	Max. Airflow [m ³ /min] [CFM]	Max. Static Pressure [Pa] [inchH ₂ O]	SPL [dB(A)]	Operating Temperature [°C]	Expected Life [h]
9WF0424H601	24	20.4 to 27.6	0.11	2.64	13,100	0.26 9.2	90 0.361	42	-20 to +70	40,000/60°C
9WF0424F601			0.076	1.82	11,000	0.22 7.77	62.8 0.252	37		

Models without sensors or with lock sensors are available as options. Please refer to the index (p. 481).

Dimensions (unit: mm)



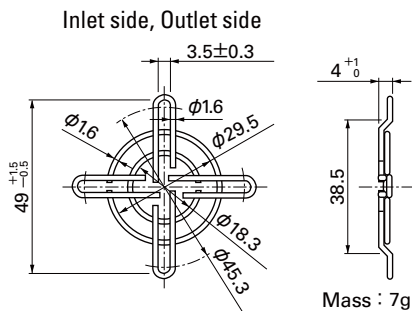
Reference Dimensions of Mounting Holes and Vent Opening (unit: mm)



Options (unit: mm)

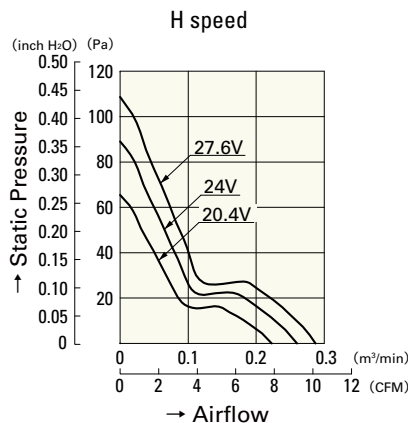
Finger Guards

Model : 109-059 Surface treatment : Nickel-chrome plating (silver)
: 109-059H : Cation electroplating (black)

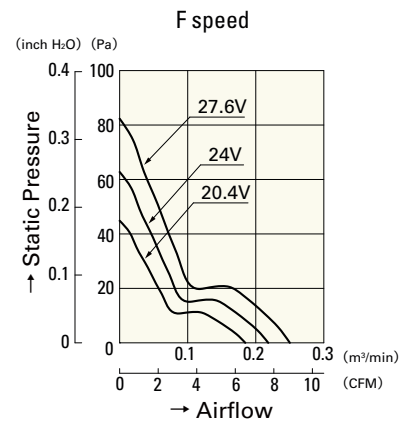


Mass : 7g

Airflow - Static Pressure Characteristics



9WF0424H601



9WF0424F601

Part Numbering System Not every combination of the following codes or characters is available. Contact us for an available combination.

9GV	12	12	J	1	01	1
Type name / frame material 109P / Plastics 109R / Plastics 9GA / Plastics 9S / Plastics 9GV / Plastics Aluminum 9GE / Aluminum 9G / Plastics 9A / Plastics 9SG / Aluminum 109E / Aluminum 9EC / Aluminum 9GX / Plastics 9GAX / Plastics	Frame size 36 : 36×36mm 03 : 38×38mm 04 : 40×40mm 05 : 52×52mm 06 : 60×60mm 08 : 80×80mm 09 : 92×92mm 12 : 120×120mm 13 : 127×127mm 14 : 140×140mm 15 : 150×150mm 17 : ϕ 172mm 47 : ϕ 172mm×147mm (sidecut) 57 : ϕ 172mm×150mm (sidecut) 20 : ϕ 200mm	Voltage 05 : 5V 12 : 12V 24 : 24V 48 : 48V etc	Speed code A, B, C, D, E, F, G, H, J, K, L, M, S, W etc	Frame thickness 0 : 70mm 1 : 38mm thick 2 : 32mm thick 3 : 28mm thick 4 : 25mm thick 5 : 50mm thick 51mm thick 6 : 20mm thick 7 : 15mm thick 9 : 10mm thick	Sensor specifications 01 or 001 : With a pulse sensor 02 or 002 : Without a sensor D01 or D001 : With a lock sensor	Frame form Nil : Plastics frame: Ribbed frame Aluminum frame: Ribless frame 1 : Plastics frame: Ribless frame 3 : 40×40×28mm for 1U applications Plastics frame: Ribbed frame

Fans with PWM control function

Example :

9GV	12	12	P	4	G	01	
Type name / frame material 9GV / Plastics Aluminum	Frame size 12 : 120×120mm	Voltage 12 : 12V	PWM control function	Frame thickness	Speed code	Individual customer's spec 2 to 4 digits	Frame form Nil : Plastics frame: Ribbed frame Aluminum frame: Ribless frame