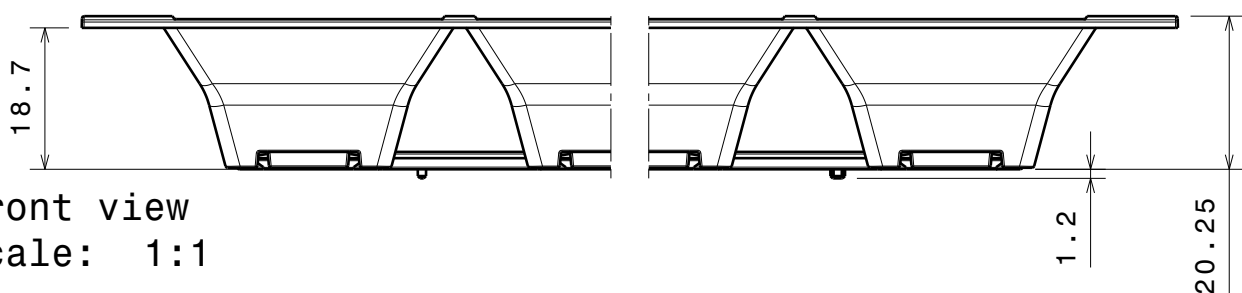
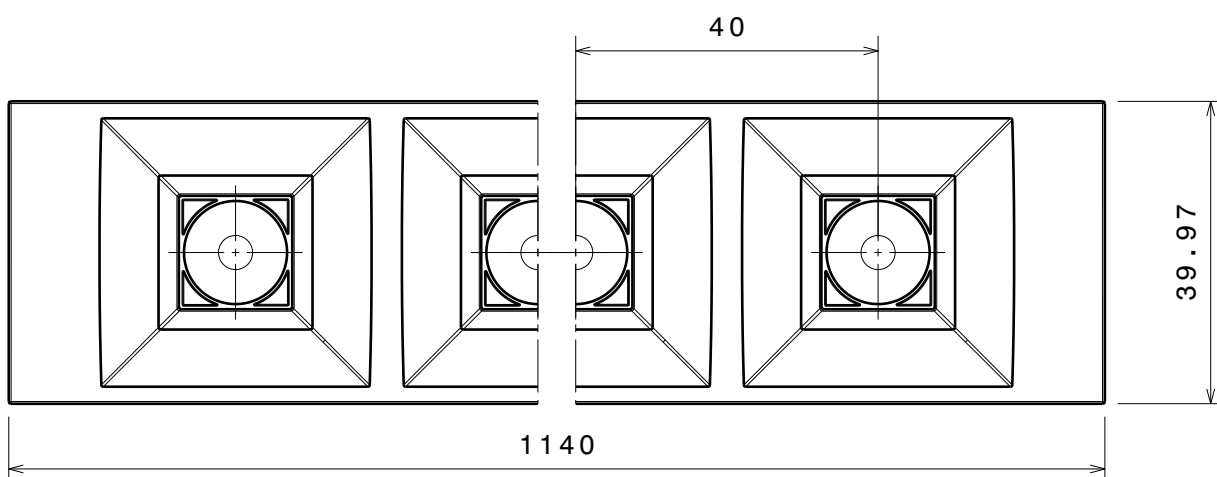


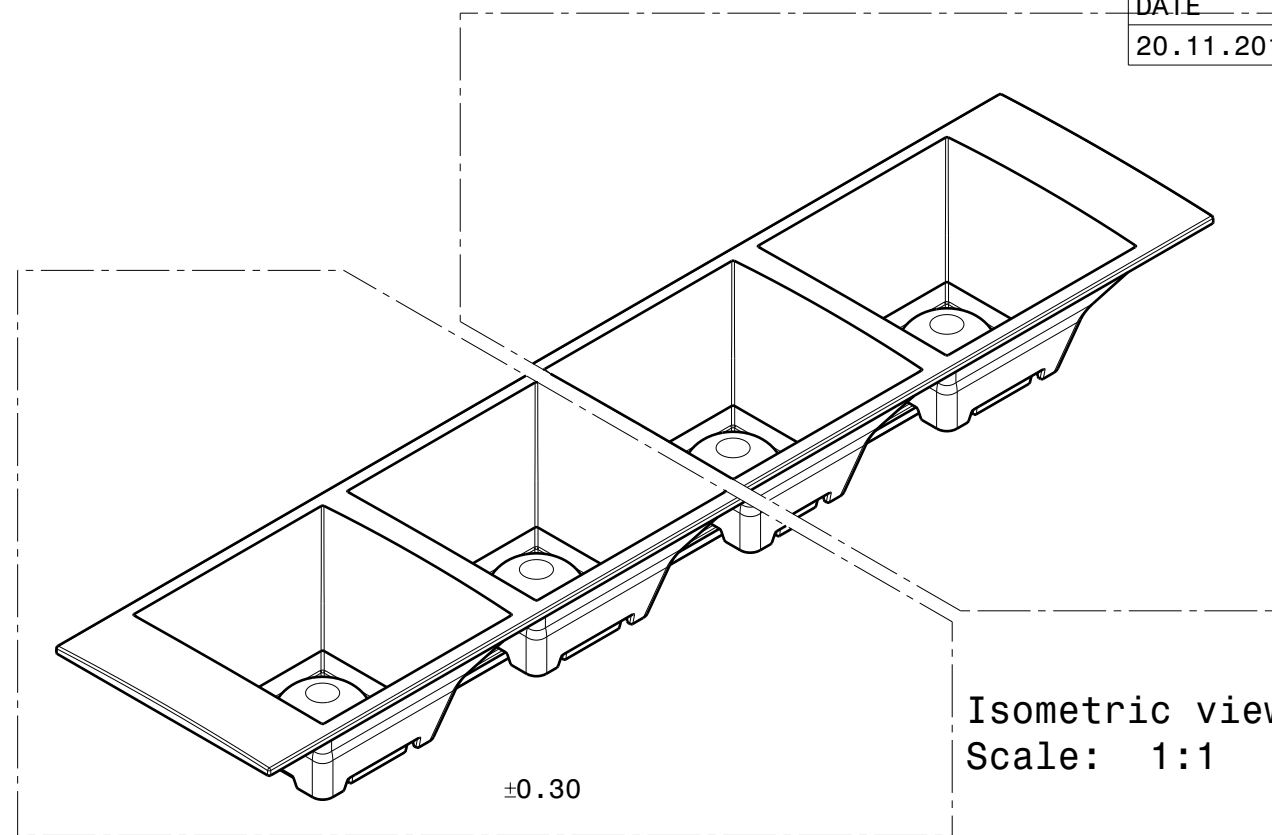
Bottom view  
Scale: 1:1



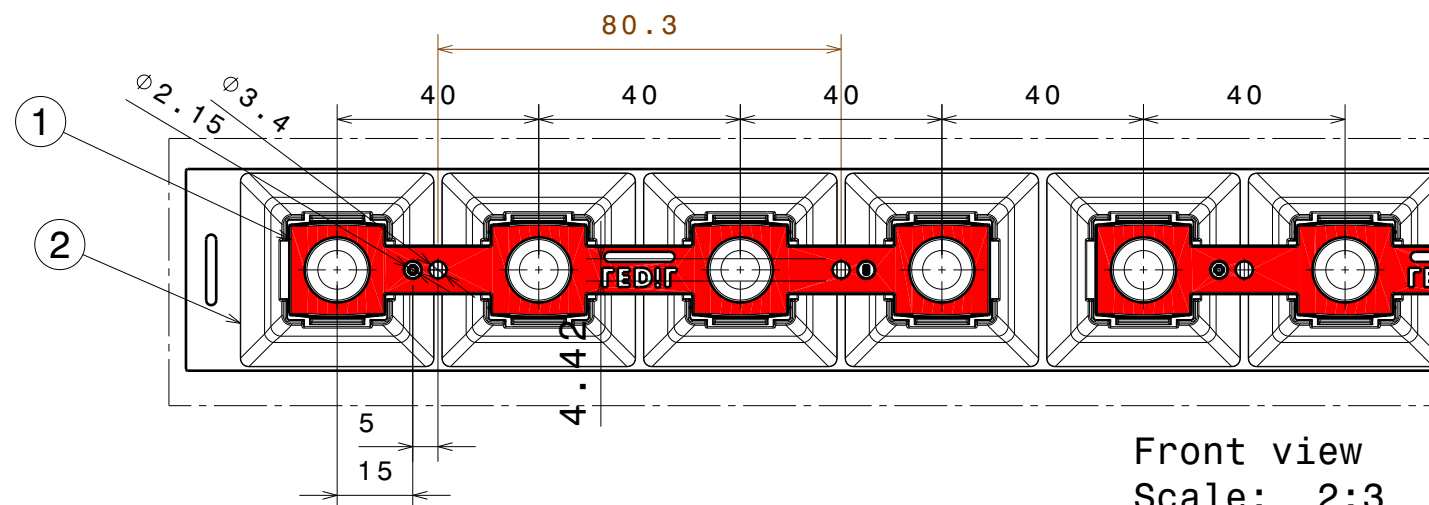
Front view  
Scale: 1:1



Top view  
Scale: 1:1



Isometric view  
Scale: 1:1



Front view  
Scale: 2:3

INDEX	QTY.	PART NO	TYPE	MATERIAL	COLOR / COATING
1	7	C16588_DAISSY-4x1-W	LENS	PMMA	CLEAR
2	1	C16585_DAISSY-28X1-SHD	SHADE	PC	WHITE

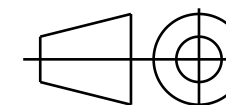
**MECHANICAL DRAWING**

PRODUCT  
**DAISSY-28X1**

**LEDiL**®

Plastic moulding general tolerances according to DIN 16901-130 and applies if not otherwise shown in the drawing. Silicone moulding general tolerances according to ISO 3302-1 Class M3 and applies if not otherwise shown in the drawing.

FIRST ANGLE PROJECTION:



This drawing is the property of LEDiL Oy. It may not be copied or otherwise distributed without prior written permission from LEDiL Oy.

SCALE 1:1

WEIGHT -

A3 SHEET 1/1

**Notes**

Ensure LED fitting from a product specific 3D model available from [www.ledil.com](http://www.ledil.com)  
For more details about installation please see LEDiL Installation Guide on [www.ledil.com](http://www.ledil.com)

4

4

3

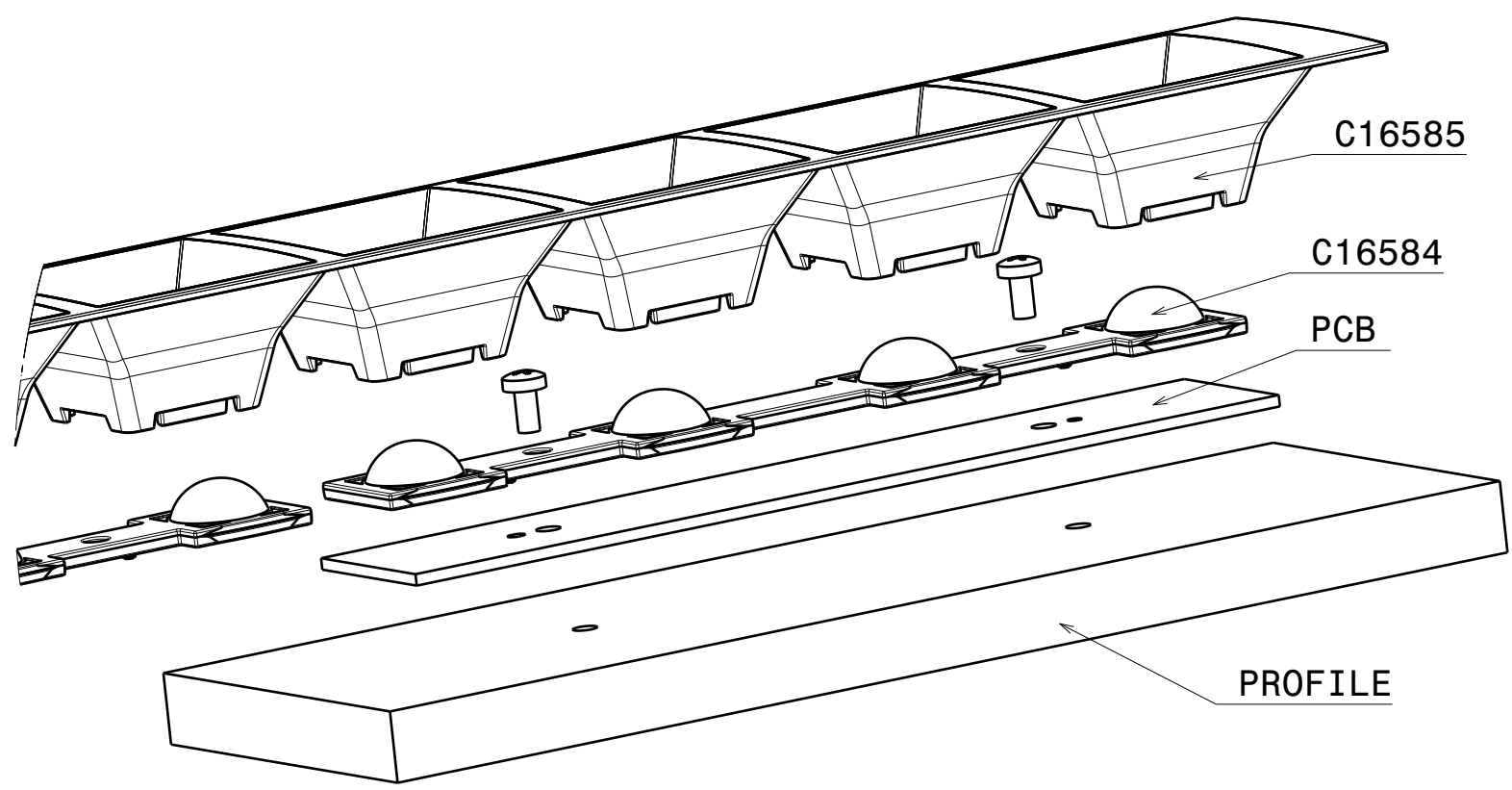
3

2

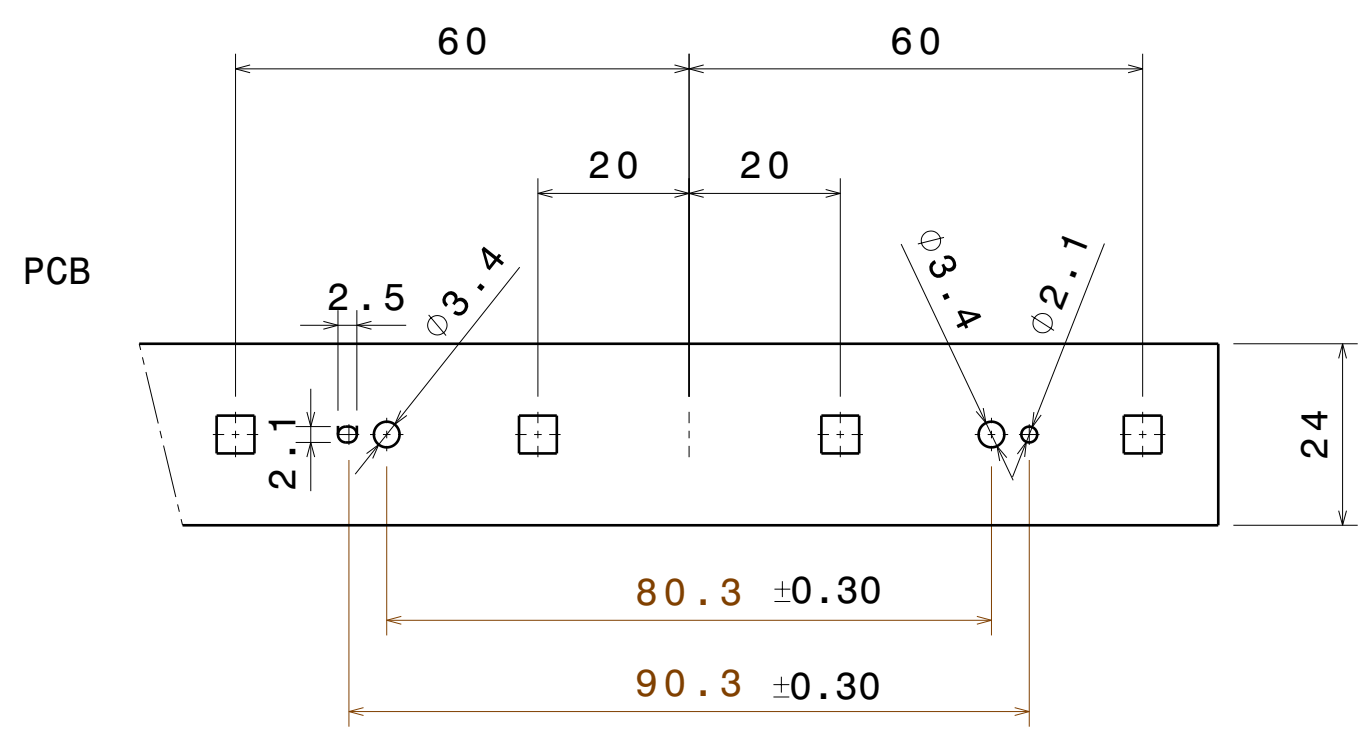
2

1

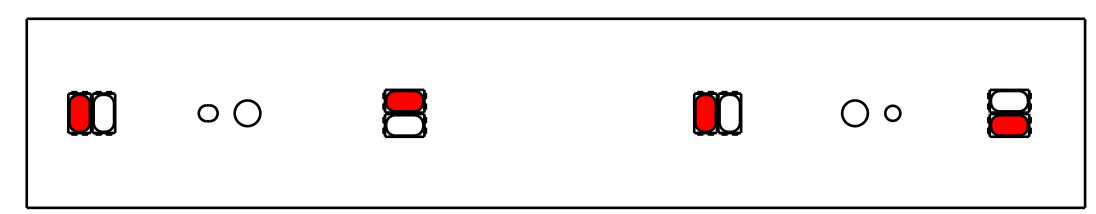
1



Scale: 1:1



Positioning of different LED combinations  
Recommended LED spacing in clusters 0.2mm



INDEX	QTY.	PART NO	TYPE	MATERIAL	COLOR / COATING
1	7	C16588_DAISSY-4X1-W	LENS	PMMA	CLEAR
2	1	C16585_DAISSY-28X1-SHD	SHADE	PC	WHITE

<b>MECHANICAL DRAWING</b>		<b>LEDiL®</b>
PRODUCT <b>DAISSY - 28X1</b>		
Plastic moulding general tolerances according to DIN 16901-130 and applies if not otherwise shown in the drawing. Silicone moulding general tolerances according to ISO 3302-1 Class M3 and applies if not otherwise shown in the drawing.	FIRST ANGLE PROJECTION: 	This drawing is the property of LEDiL Oy. It may not be copied or otherwise distributed without prior written permission from LEDiL Oy.
SCALE 1:1	WEIGHT -	A3 SHEET 1/1

**Notes**

Ensure LED fitting from a product specific 3D model available from [www.ledil.com](http://www.ledil.com)

For more details about installation please see LEDiL Installation Guide on [www.ledil.com](http://www.ledil.com)