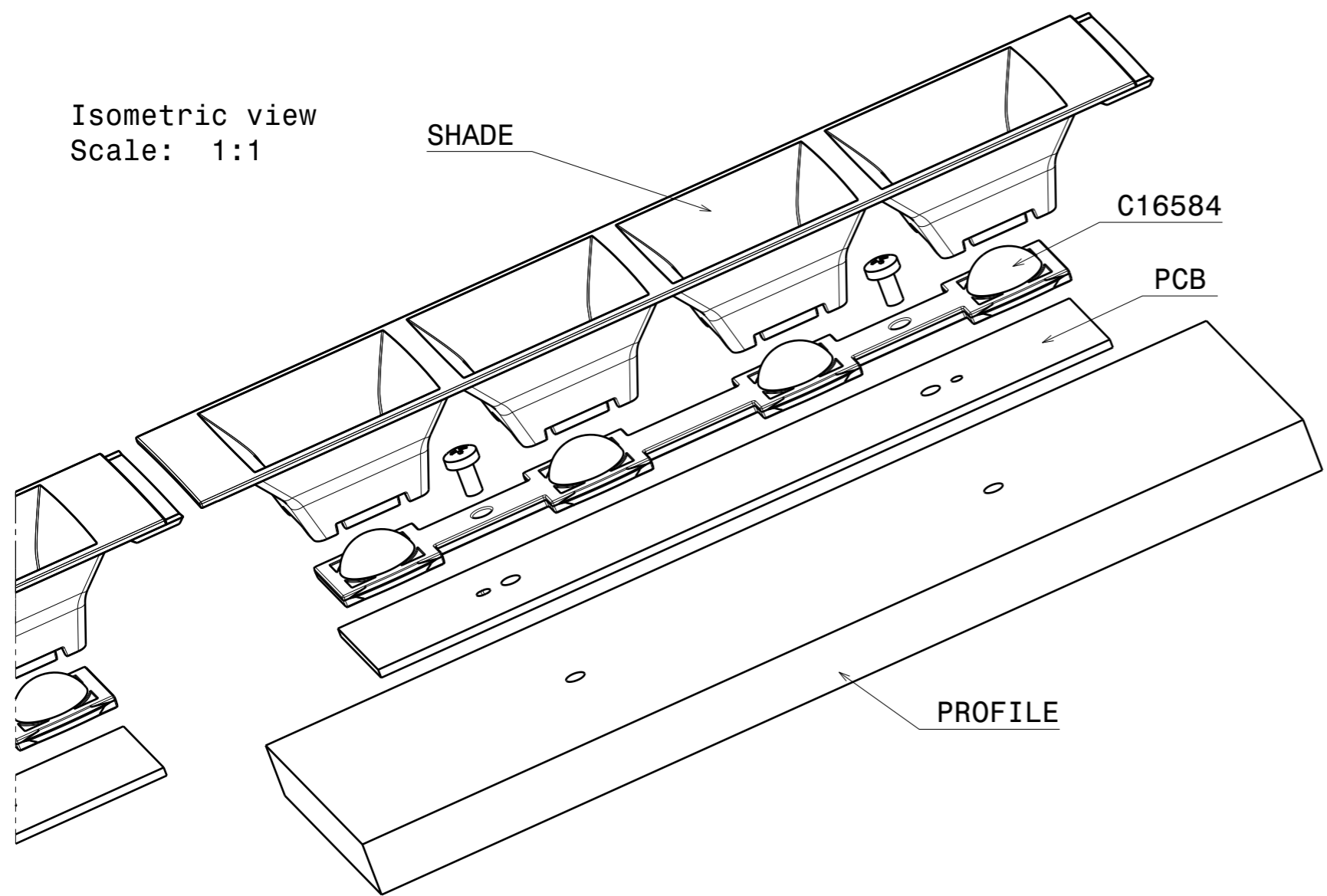


Isometric view
Scale: 1:1



Positioning of different LED combinations



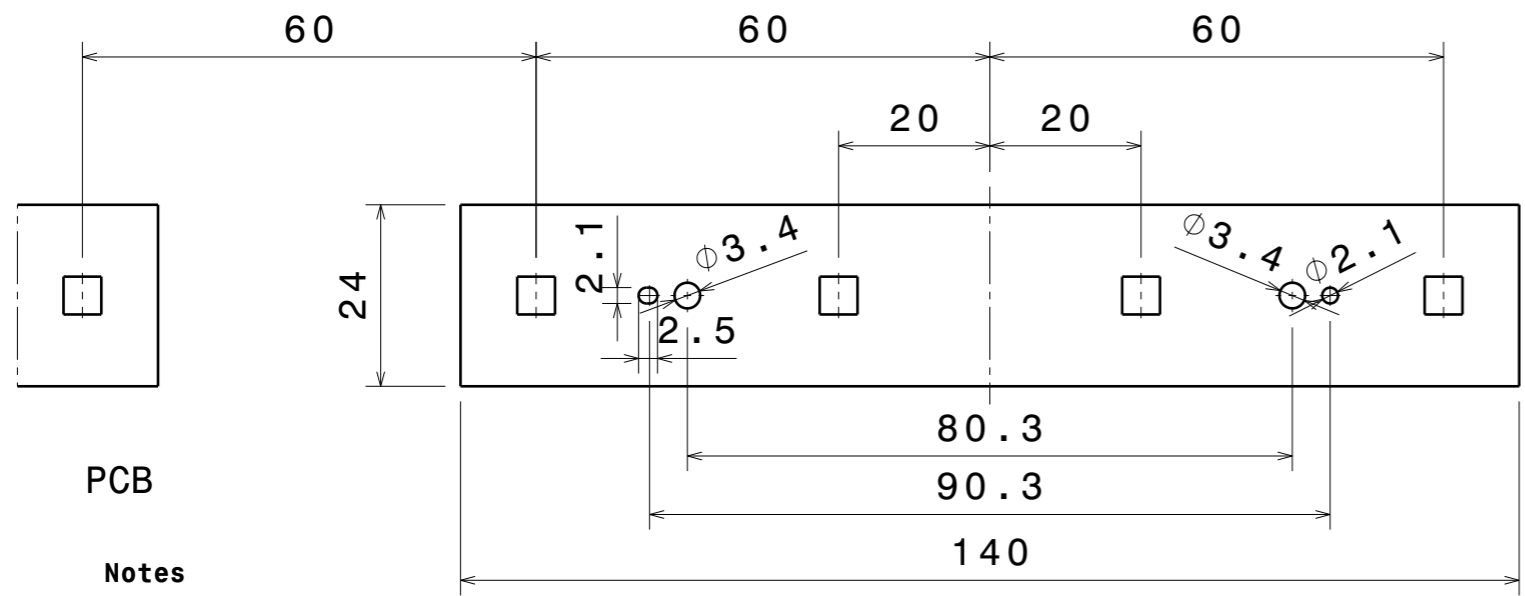
LED 1 X 5050



LED 2 X 5630



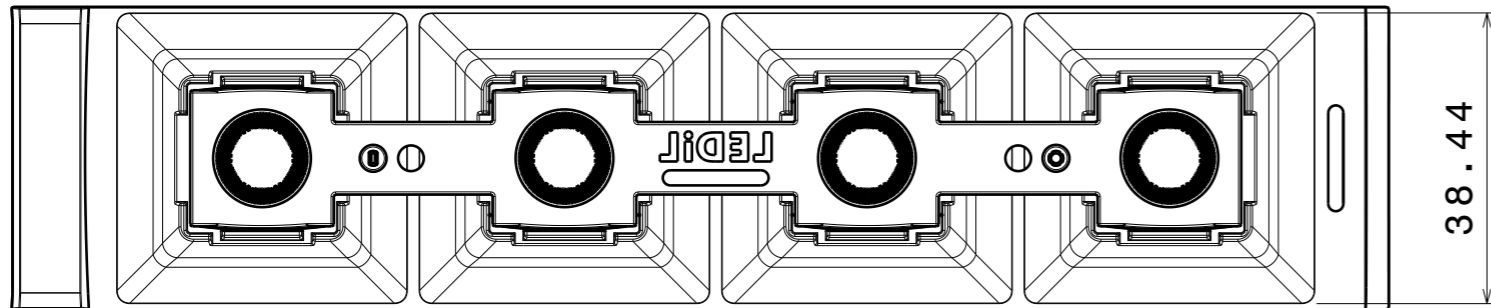
LED 4 X 2835



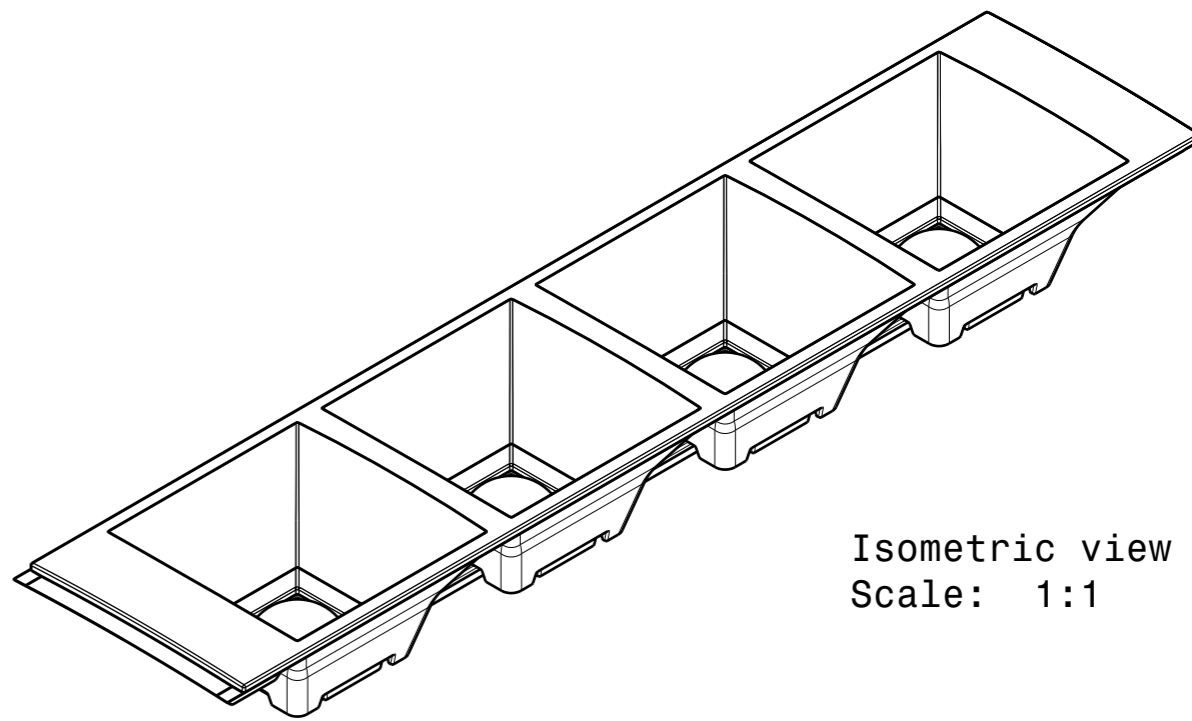
INDEX	QTY.	PART NO	TYPE	MATERIAL	COLOR / COATING
1	1	C16588_DAISSY-4X1-W	LENS	PMMA	CLEAR
2	1	C16784_DAISSY-4X1-SHD-WHT	SHADE	PC	WHITE

MECHANICAL DRAWING		LEDiL®
PRODUCT DAISSY - 4X1		
Plastic moulding general tolerances according to DIN 16901-130 and applies if not otherwise shown in the drawing. Silicone moulding general tolerances according to ISO 3302-1 Class M3 and applies if not otherwise shown in the drawing.	FIRST ANGLE PROJECTION: 	This drawing is the property of LEDiL Oy. It may not be copied or otherwise distributed without prior written permission from LEDiL Oy.
SCALE 1:1	WEIGHT -	A3 SHEET 1/1

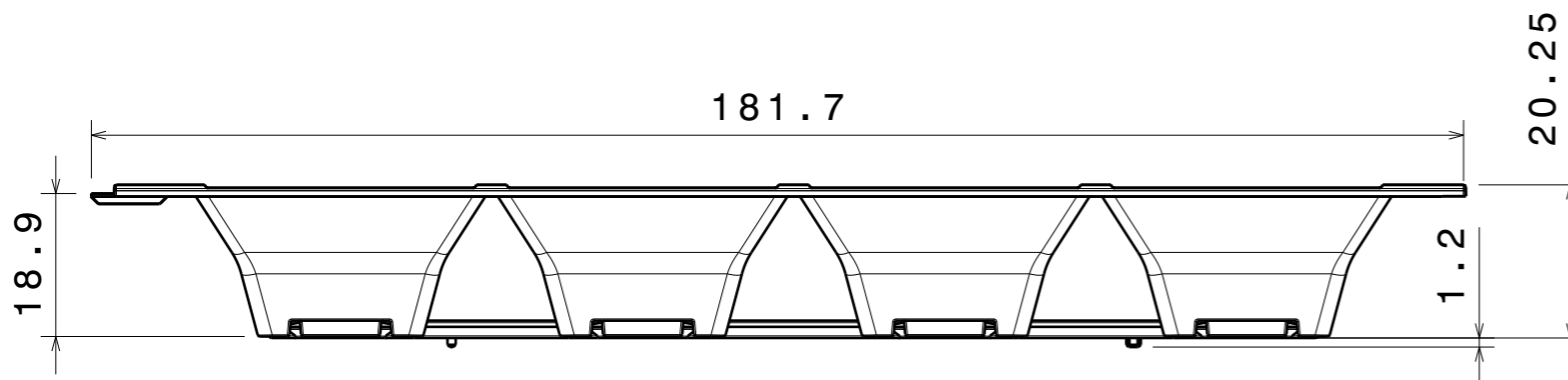
Notes
Ensure LED fitting from a product specific 3D model available from www.ledil.com
For more details about installation please see LEDiL Installation Guide on www.ledil.com



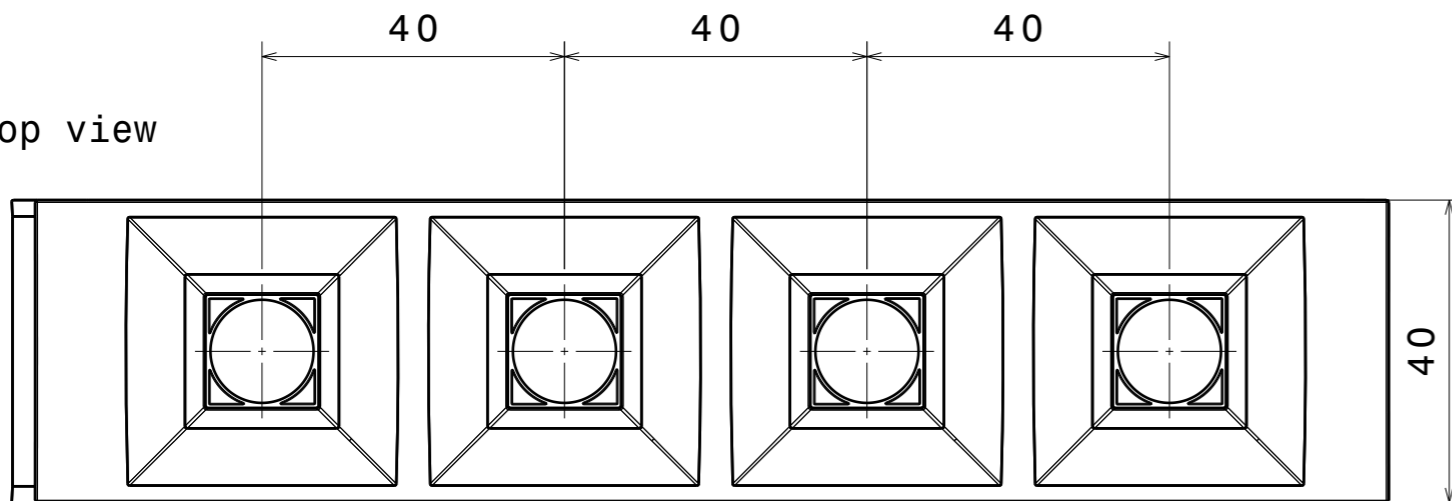
Bottom view



Isometric view
Scale: 1:1



Front view



Top view

INDEX	QTY.	PART NO	TYPE	MATERIAL	COLOR / COATING
1	1	C16588_DAISY-4x1-W	LENS	PMMA	CLEAR
2	1	C16784_DAISY-4x1-SHD-WHT	SHADE	PC	WHITE

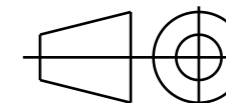
MECHANICAL DRAWING

PRODUCT **DAISY - 4X1**

LEDiL[®]

Plastic moulding general tolerances according to DIN 16901-130 and applies if not otherwise shown in the drawing.
Silicone moulding general tolerances according to ISO 3302-1 Class M3 and applies if not otherwise shown in the drawing.

FIRST ANGLE PROJECTION:



This drawing is the property of LEDiL Oy. It may not be copied or otherwise distributed without prior written permission from LEDiL Oy.

SCALE 1:1

WEIGHT -

A3 SHEET 1/1

Notes

- PCB or heatsink level.
- LED location
- Ensure LED fitting from a product specific 3D model available from www.ledil.com
- For more details about installation please see LEDiL Installation Guide on www.ledil.com